

# 4-in. Biotube<sup>®</sup> Effluent Filter

## Installation and Maintenance Instructions

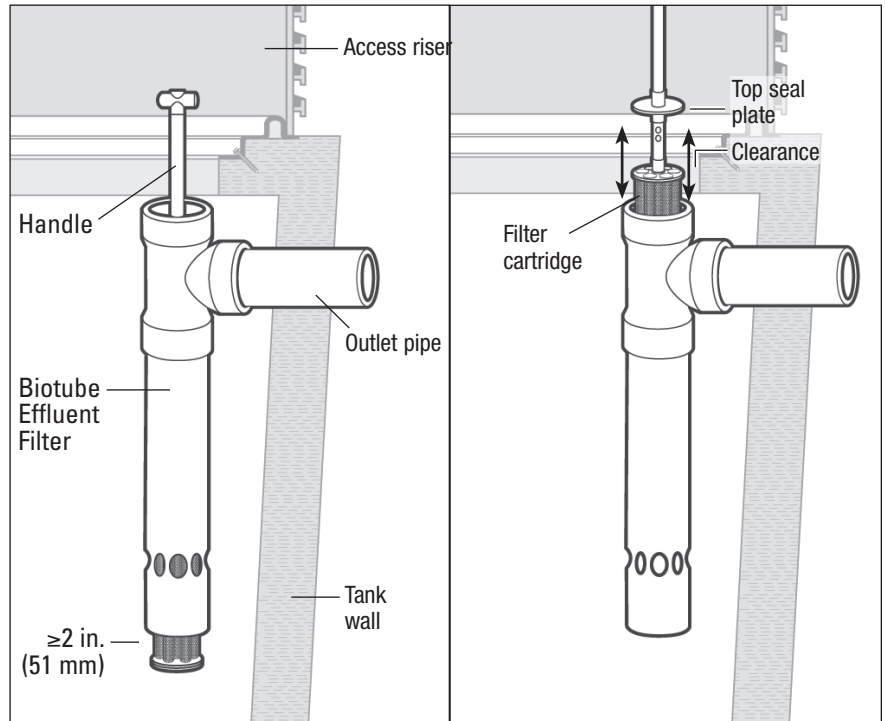
Biotube Effluent Filters\* extend drainfield life by preventing solids from leaving the septic tank. Our 4-in. (nominal size) filter comes in its own housing, in both 44-in. (1118-mm) and 36-in. (914-mm) lengths. Our Jr. insert filter is 18 in. (457 mm) long, fits in a nominal 4-in. outlet tee, and comes with or without its own housing. Biotube Effluent Filters install in minutes, inside new or existing tanks.

## Installation Instructions

### Step 1: Test-Fit the Effluent Filter

Test-fit the effluent filter on the septic tank's outlet pipe without gluing. Make sure it fits plumb. Install the assembly as snug as possible to the tank wall, but ensure sufficient clearance for removing the filter cartridge.

If using the 4-in. Biotube Insert Filter, adjust the length of the outlet tee so that the bottom of the Insert Filter extends at least 2 in. (51 mm) below the bottom of the outlet tee.



\*Protected by U.S. Patent Numbers 5,492,635 and 4,439,323

## Installation Instructions (continued)

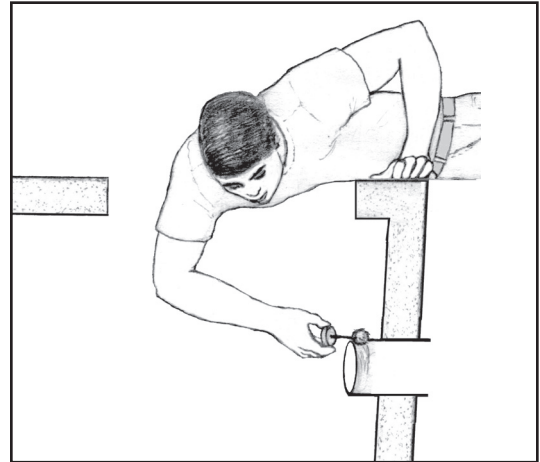
### **Step 2: Attach Filter to Tank**

Two attachment methods can be used:

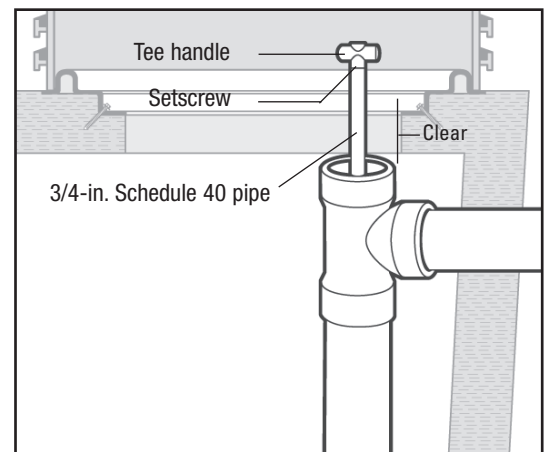
- 1) Glue the filter onto the tank outlet pipe using appropriate primer and glue.
- 2) A stainless steel setscrew can be used to secure the filter instead of glue.

### **Step 3: Extend Cartridge Handle**

For easier access when servicing, the cartridge handle may be extended using a longer length of 3/4-in. Schedule 40 PVC pipe.



This illustration shows the gluing technique for installing a filter into a new septic tank. Installing a filter into an existing tank is a custom, site-specific job.



Cartridge handles can be extended for easier access.

## Maintenance Instructions

To ensure the effluent filter is functioning properly, inspect it every year. Under normal conditions, your effluent filter will function for several years before cleaning is necessary. Clean the filter when it becomes clogged enough to restrict normal flows out of the septic tank. At a minimum, clean the filter whenever the tank is pumped. High-level alarms, which activate when the filter is clogged, are recommended to prevent backups.

Be sure to dress properly when inspecting and cleaning the filter. Wear full-length pants and shirt, shoes, gloves, and goggles or glasses.

### **Step 1**

Remove the access lid to your septic tank by unscrewing the stainless steel lid bolts with the hex head wrench provided. If your lid is above ground, it will be easy to find. If it is buried below ground, find the marker that indicates its location.

### **Step 2**

Remove the filter cartridge by grasping the tee handle and lifting it out of its housing.

### **Step 3**

Spray the cartridge tubes with a hose to remove any material sticking to them. Ensure that the three orifices in the optional flow modulation plate inside the filter are clear of any debris. Make sure the rinse water runs back into the tank, but do not allow solids material to fall into the open filter housing.

### **Step 4**

Firmly place the cartridge back into the housing.

### **Step 5**

Some effluent filters come with an alarm that activates when the filter needs cleaning. If you have an alarm, check to make sure it is working by lifting the float with a stick. An audible horn should sound. The alarm panel is normally mounted on the side of the house or in the garage.

Note: If your effluent filter doesn't have an alarm system and you would like one, call your local septic system installer.

### **Step 6**

Record the date that you inspected and/or cleaned your filter on the form that follows this page. If you checked the alarm or made any other observations about the tank or system, include that information under "Notes."

### **Step 7**

Attach the access lid by placing it on the riser, matching the holes in the lid with the holes in the riser. Insert each lid bolt through the lid and the hole in the riser and tighten with hex head wrench provided. Before leaving, pull up firmly on the lid to make sure it is secure.

**Inspection/Maintenance Form**

**Date Installed:** \_\_\_\_\_ **Model Tank:** \_\_\_\_\_ **Size:** \_\_\_\_\_

**Model:** \_\_\_\_\_ **Single/Double Compartment:** \_\_\_\_\_

Date Inspected	Cleaned		Notes
	Yes	No	

**Important Names and Numbers**

**System Service Provider:** \_\_\_\_\_ **Phone:** \_\_\_\_\_  
**System Installer:** \_\_\_\_\_ **Phone:** \_\_\_\_\_  
**Septic Tank Pumper:** \_\_\_\_\_ **Phone:** \_\_\_\_\_  
**Electrician:** \_\_\_\_\_ **Phone:** \_\_\_\_\_  
**System Designer:** \_\_\_\_\_ **Phone:** \_\_\_\_\_