



# Series: PF01000 & PF01300

**Submersible Fountain/Dewatering Pumps  
2" NPT Female, 3/4 & 1HP**



**Series:  
PF01000 &  
PF01300**

**3/4 & 1HP  
60 Hz  
3450RPM**



<b>DISCHARGE CASE</b>	Aluminum, Hard Anodized
<b>DIFFUSER</b>	Aluminum, Hard Anodized
<b>SUCTION CASE</b>	Aluminum, Hard Anodized, with wear resistant polyurethane liner
<b>FRAME &amp; OUTER CASE</b>	Aluminum, Hard Anodized
<b>PUMP SHAFT</b>	Stainless Steel
<b>IMPELLER</b>	Polyurethane
<b>HARDWARE</b>	Stainless Steel
<b>O-RINGS</b>	Buna-N
<b>SEAL</b>	Tandem mechanical, Oil lubricated
<b>INBOARD</b>	Material: Rotating Face - Carbon Stationary Face - Ceramic Elastomer - Buna-N Hardware - 300 Series Stainless
<b>OUTBOARD</b>	Material: Rotating Face - Silicon Carbide Stationary Face - Silicon Carbide Elastomer - Buna-N Hardware - 300 Series Stainless
<b>STRAINER</b>	Stainless Steel, 3/16" Holes
<b>UPPER BEARING</b>	Single Row, Shielded, Ball Prelubricated high- temperature grease Load: Radial
<b>LOWER BEARING</b>	Single Row, Shielded, Ball Prelubricated high-temperature grease Load: Radial & Thrust
<b>CORD ENTRY</b>	25 Ft. with Strain Relief and Pressure Grommet for Sealing
<b>MOTOR</b>	Insulation: Class H
<b>CONTROL</b>	NEMA 3R Rainproof
<b>OPTIONAL</b>	Puddle Sucker Strainer. NEMA 4 Weathertight Control Box

Power-Flo pumps are compact, lightweight powerful Portable Electric Submersible Pumps. They are whisper quiet and will perform in any position. Power-Flo pumps can be staged in series for higher head applications.

Power-Flo in-line design assures maximum heat transferred to the pumped liquid. Power-Flo pumps can operate in up to 140°F (60°C) temperature water. Power-Flo design provides the coolest operating motor for maximum life. Consult the factory prior to pumping fluids other than water for professional instructions.

**Vacuum Pressure Impregnation  
"VPI" Sealed Insulation System**

VPI motor enhancement system was developed to greatly extend the winding life expectancy of an electric motor. The motor stator is loaded into a pressure vessel and immersed in the specialty selected varnish.

All gas pockets located within the stator are evacuated under vacuum. The varnish is drawn into the stator core, completely occupying all voids in the winding. Following a series of processes, ending in a controlled bake, the winding is 100% impregnated and sealed.

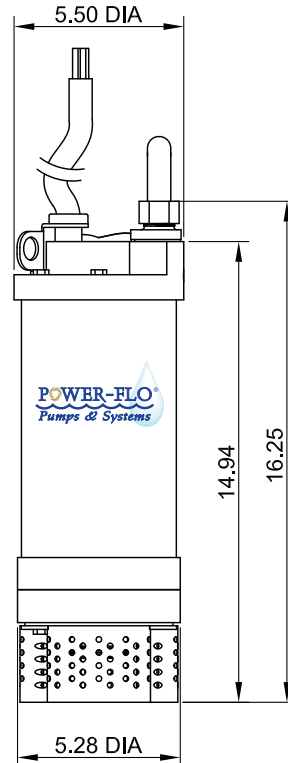
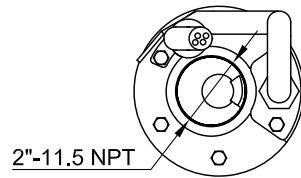
VPI is greatly superior to the "dip and bake" method which may provide only 50% to 70% of effective insulation leaving voids and air pockets. VPI provides 100% solid mass structure which provides the greatest mechanical strength and a cooler running motor due to superior heat dissipation.

MODEL	POWER CORD WEIGHT	CONTROL BOX WEIGHT	PUMP ONLY WEIGHT	SHIPPING WEIGHT
3/4 hp	4.4 lbs	8.8 lbs	24.3 lbs	44 lbs
1 hp	4.4 lbs	8.8 lbs	26.5 lbs	48 lbs

# Series: PF01000 & PF01300



Submersible Fountain/Dewatering Pumps  
2" NPT Female, 3/4 & 1HP, NEMA 3R Rainproof Control Box

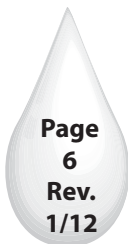


MODEL No.	HP	VOLT/PH	Hz	RPM	FULL LOAD AMPS	LOCKED ROTOR AMPS	NEMA START CODE	CORD SIZE	CORD TYPE	MAX CORD LENGTH (FT)
PF01011	.75	115/1	60	3450	11.0	36.2	G	14/4	SOW	100
PF01012	.75	230/1	60	3450	5.8	18.1	G	14/4	SOW	350
PF01311	1.0	115/1	60	3450	12.0	42.0	D	14/4	SOW	90
PF01312	1.0	230/1	60	3450	7.5	22.0	D	14/4	SOW	300

Notes: Add "LC" to model number for Less Control Box, except for the SC model.

## IMPORTANT APPLICATION INFORMATION !

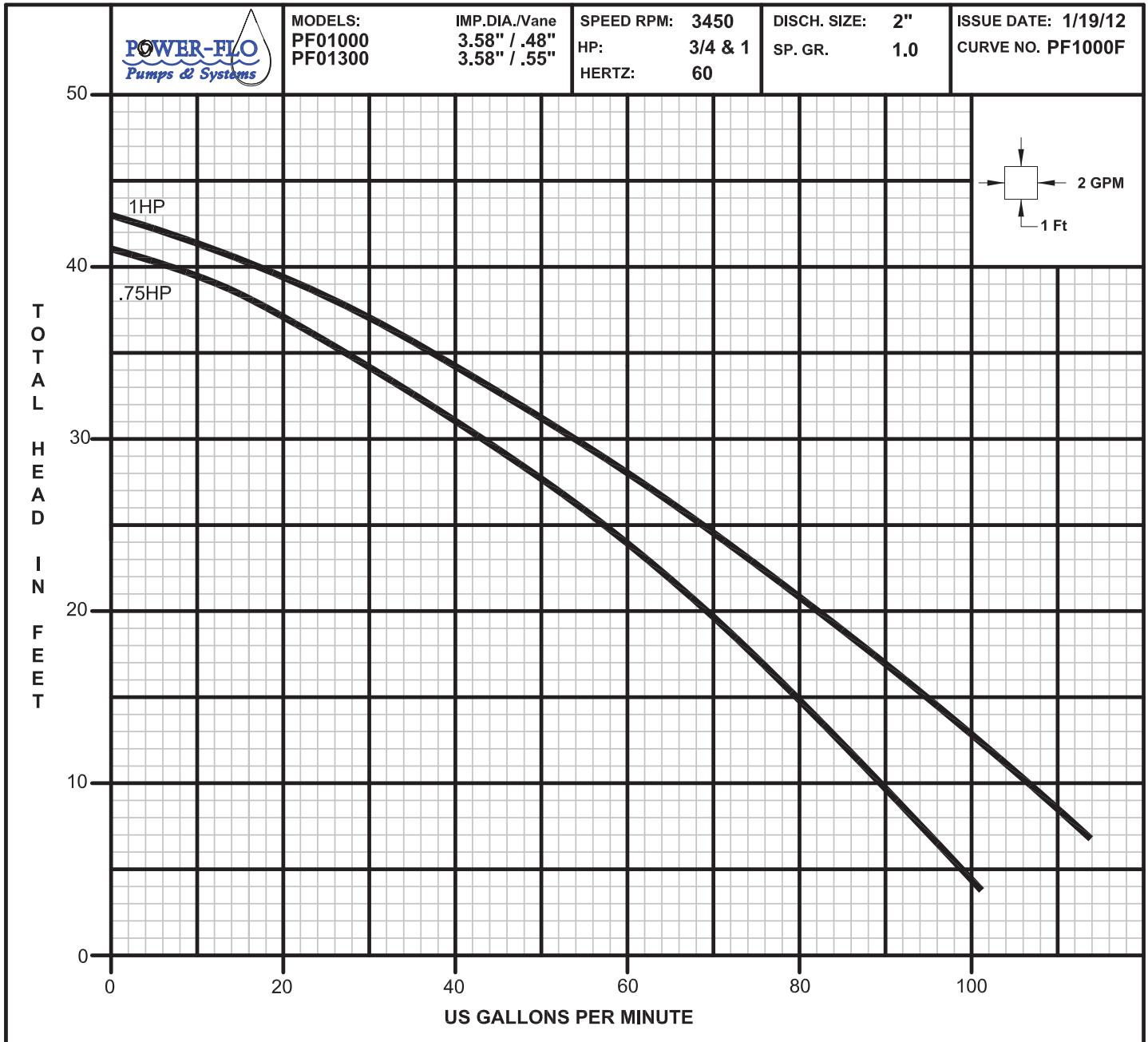
- 1) FOR THOSE APPLICATIONS SPECIFIED AS CLASS I DIVISION II HAZARDOUS LOCATIONS THIS PUMP AND CONTROL SUPPLIED ARE NOT APPROPRIATE FOR HAZARDOUS LOCATIONS.
- 2) INSTALLATIONS SUCH AS DECORATIVE WATER FEATURES MUST BE INSTALLED IN ACCORDANCE WITH THE NATIONAL ELECTRIC CODE ANSI/NFPA 70. THIS PUMP IS NOT INTENDED FOR USE IN RECREATIONAL WATER PARKS, SWIMMING POOLS, OR INSTALLATIONS IN WHICH HUMANS ARE IN CONTACT WITH THE PUMPED FLUID.





# Series: PF01000 & PF01300

**Submersible Fountain/Dewatering Pumps**  
**2" NPT Female, 3/4 & 1HP**

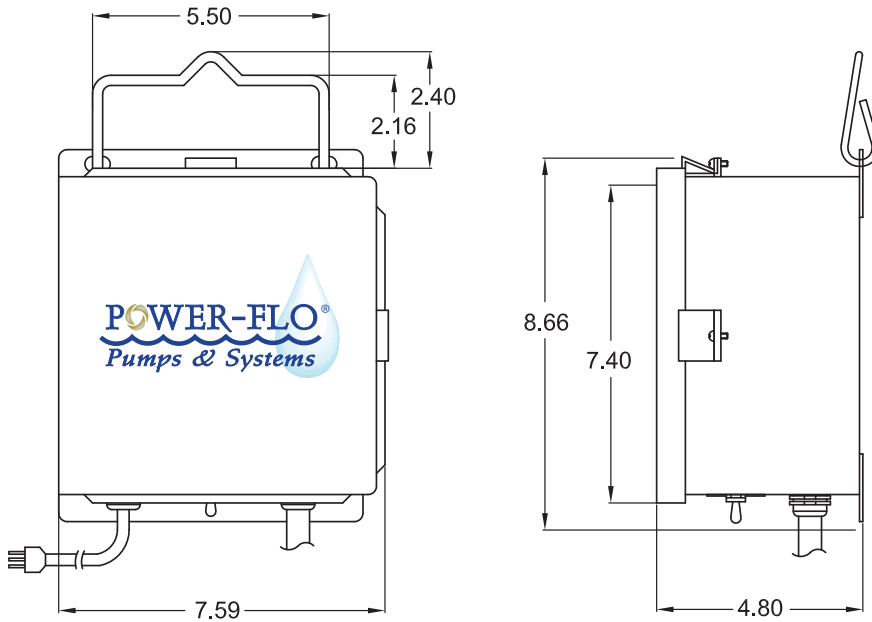


# Series: PF01000 & PF01300

Submersible Fountain/Dewatering Pumps  
2" NPT Female, 3/4 & 1HP



## Control Box (1PH) 0.75-1.0Hp



**NEMA 3R - 1 Phase  
RAINPROOF CONTROL**

<b>Pump P/N:</b>	<b>Control P/N</b>
PF01011	V101811
PF01012	V101812
PF01311	V101811
PF01312	V101812