

**Model: PF2020HCU**

## Features:

Suitable for general industrial use such as liquid transfer or as booster pumps.

- **DISCHARGE:** 2" 125 lb. ANSI, Discharge can be placed in 8 different locations depending on piping requirements
- **SUCTION:** 2" NPT
- **LIQUID TEMPERATURE:** 180°F Continuous
- **BODY:** Cast Iron, ASTM Class 30, with Air Vent, Vacuum Pressure and Drain Plugs
- **PEDESTAL:** Cast iron, Class 30
- **IMPELLER:** Enclosed type, Dynamically balanced, ISO G6.3, Bronze 81-3-7-9
- **WEAR RING:** Teflon "U" Cup
- **SHAFT:** Steel
- **SHAFT SLEEVE:** Bronze
- **PAINT:** Air dry enamel
- **HARDWARE:** Steel
- **SEAL:** Single mechanical, Self lubrication, Carbon/Ni-Resist/Buna-N
- **BEARING - PUMP END:** Single row, ball, Pre-Greased at Factory Load- Radial & Thrust
- **BEARING - DRIVE END:** Double Row, Ball, Pre-Greased at Factory Load- Radial & Thrust
- **WEIGHT:** 74 lbs.
- **WARRANTY:** 1 year

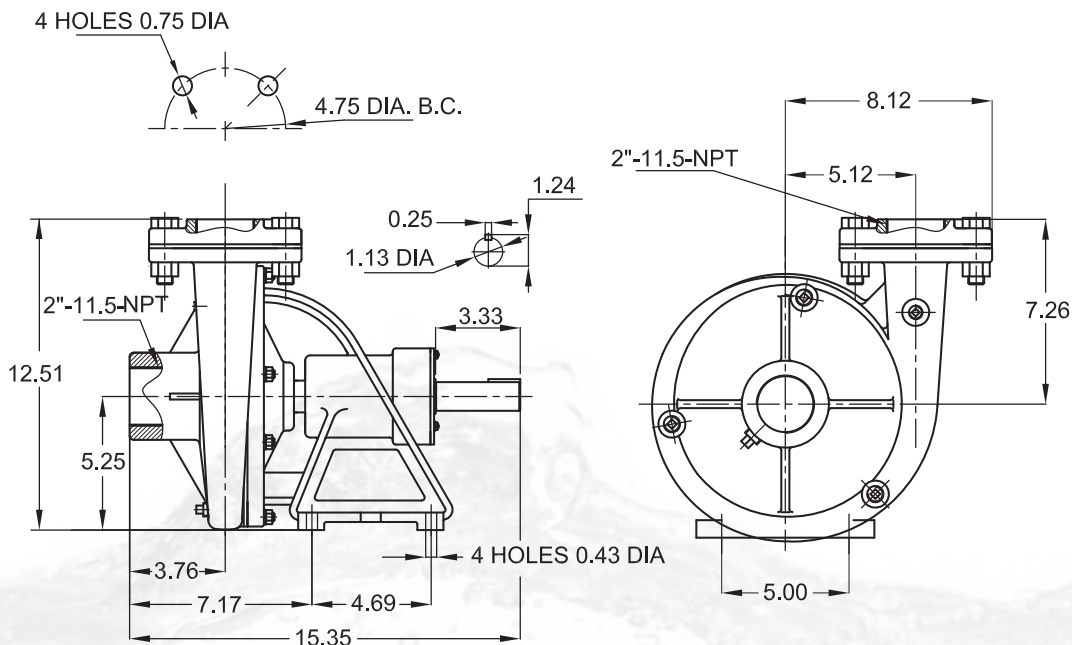


**WARNING: CANCER AND REPRODUCTIVE HARM-**  
[WWW.P65WARNINGS.CA.GOV](http://WWW.P65WARNINGS.CA.GOV)



**End Suction  
2" Suction x 2" Discharge  
Universal Drive**

**WARNING ! - DO NOT** use in explosive atmosphere or for pumping volatile flammable liquids.



**Power-Flo Pumps & Systems**

*a Power-Flo Technologies company*

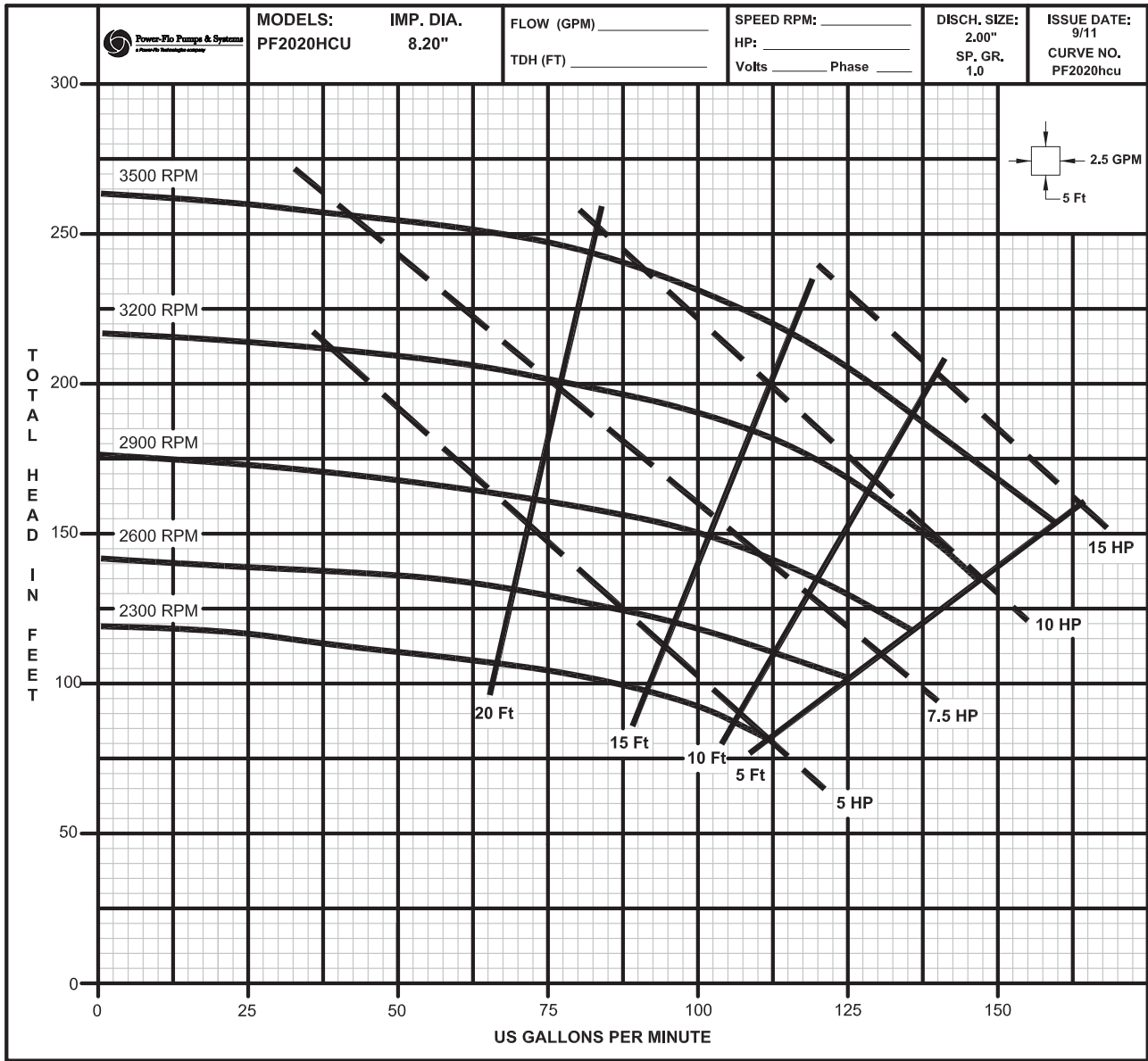
877-24PUMPS • fax: 516-812-6897 • [www.powerflopumps.com](http://www.powerflopumps.com)

**End Suction Centrifugal Pumps - 2" x 2" - Universal Drive**

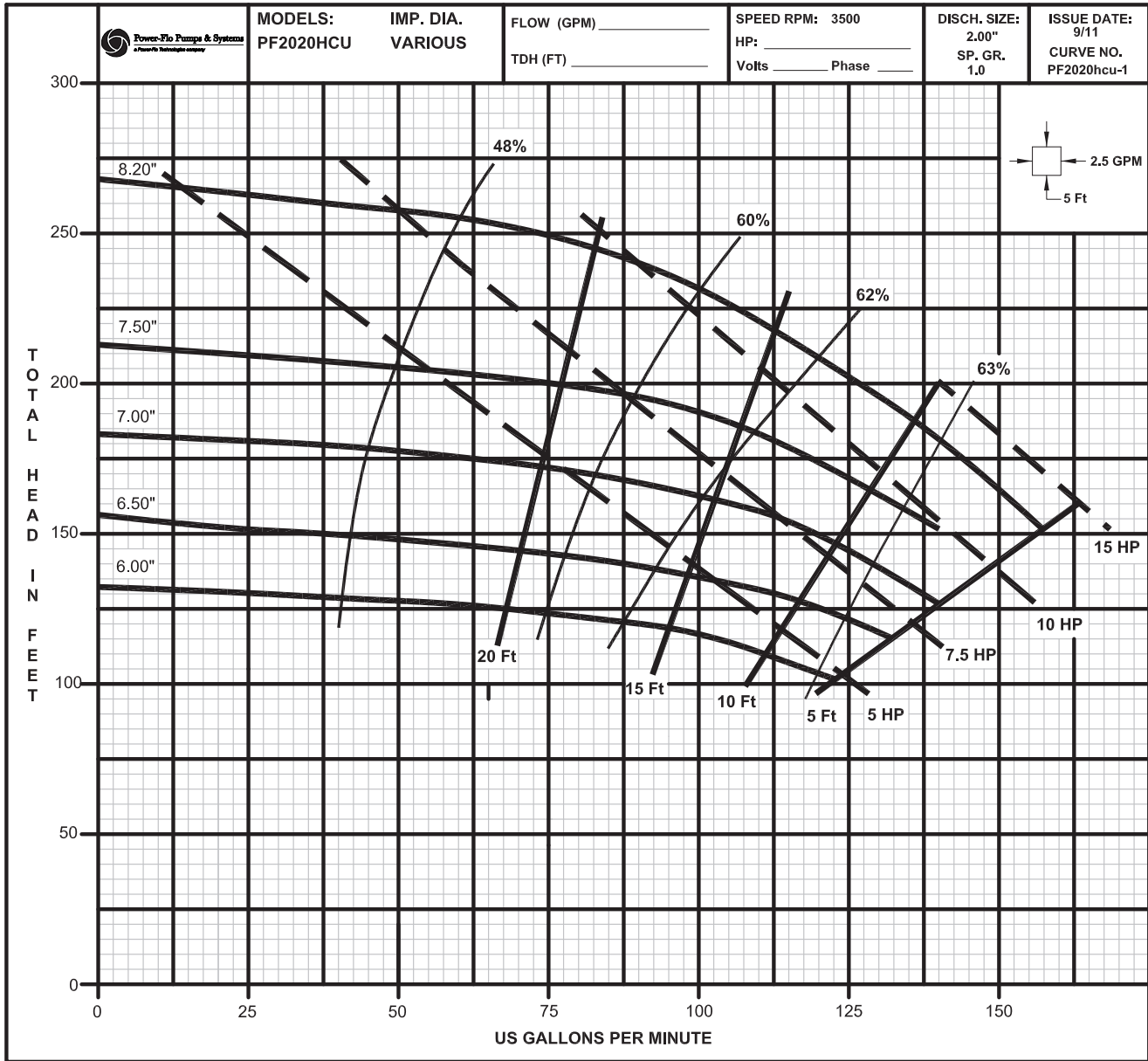
Sect.  
ES  
Page  
1  
Rev.  
02/2021

**Model: PF2020HCU - Various RPM**

**End Suction Centrifugal Pumps - 2" x 2" - Universal Drive**



# Model: PF2020HCU - Various Impeller Diameters at 3500RPM



## End Suction Centrifugal Pumps - 2" x 2" - Universal Drive



**Power-Flo Pumps & Systems**

*a Power-Flo Technologies company*

877-24PUMPS • fax: 516-812-6897 • www.powerflopumps.com

Sect.  
ES  
Page  
3  
Rev.

02/2021