

**Model: PF2025CU7**

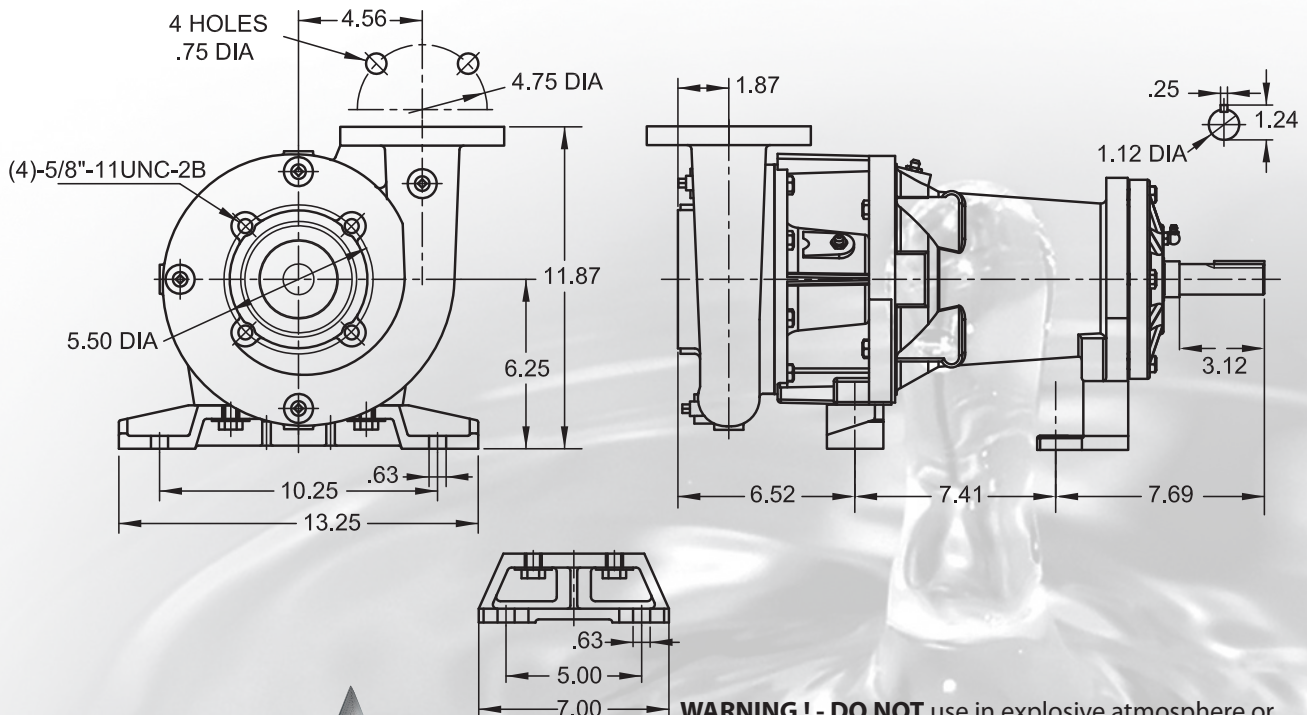


**End Suction - CU7  
2-1/2" Suction x  
2" Discharge  
Universal Drive**

**Features:**

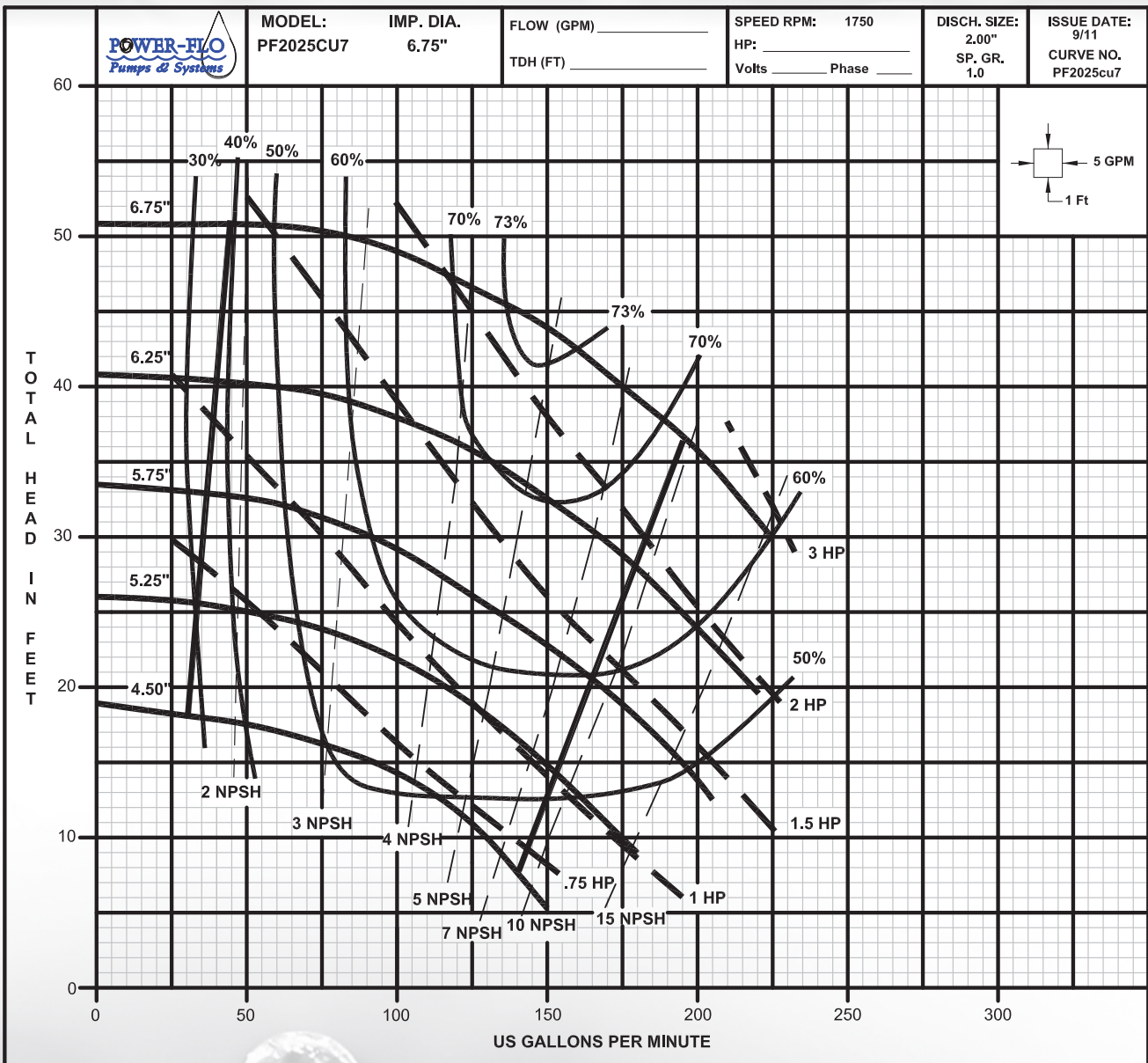
Suitable for general industrial use such as liquid transfer or as booster pumps.

- **DISCHARGE:** 2" 125 lb. ANSI Flange, Discharge can be placed in 4 different locations depending on piping requirements
- **SUCTION:** 2-1/2" 125 lb. ANSI Flange
- **LIQUID TEMPERATURE:** 225°F Continuous
- **CASING:** Cast Iron, ASTM A48, Back Pull-Out design, with removing Suction & Discharge Piping
- **CASING WEAR RING:** Bronze C95200
- **CASE WORKING PRESSURE:** 175 PSI
- **MOTOR BRACKET:** Cast iron ASTM A48
- **POWER FRAME:** Cast iron ASTM A48
- **SHAFT:** Stainless Steel AISI420
- **SHAFT SLEEVE:** Bronze C95200
- **PAINT:** Air dry enamel
- **HARDWARE:** Steel
- **SEAL:** Mechanical, Carbon/Ni-Resist/Buna-N
- **IMPELLER:** Enclosed Type, Dynamically Balanced, ISO G6.3, Maximum spheres .375", Bronze C95200
- **BEARING - PUMP END:** Single row, ball, Grease lubricated
- **BEARING - DRIVE END:** Single Row, Ball, Grease lubricated
- **WEIGHT:** 150 lbs.
- **WARRANTY:** 1 year



**WARNING!** - DO NOT use in explosive atmosphere or for pumping volatile flammable liquids.

**Model: PF2025CU7 - Various Impeller Diameters at 1750RPM**



**End Suction Centrifugal Pumps - 2" x 2-1/2" - Universal Drive**



# End Suction Centrifugal Pumps - 2" x 2-1/2" - Universal Drive

Model: PF2025CU7 - Various Impeller Diameters at 3500RPM

