

Series: PF20MU



**Self-Priming Frame Mounted Pumps
3" Suction x 3" Discharge NPT, Female**

DISCHARGE	3" x 3" NPT, Female
LIQUID TEMPERATURE	160°F Continuous
CASING	Gray Iron, ASTM A48, Class 30
BEARING HOUSING	Gray Iron, ASTM A48, Class 30
SUCTION GLAND	Gray Iron, ASTM A48, Class 30
PEDESTAL	Gray Iron, ASTM A48, Class 30
SHAFT	Steel
SHAFT SLEEVE	Steel
IMPELLER	5 Vanes, Semi-open type. 3/4" Diameter Spherical solids handling. Material: Gray Iron, ASTM A48, Class 30
O-RINGS	Buna-N
HARDWARE	Steel
PAINT	Air dry enamel
SEAL	Mechanical, Type 21 Material: Carbon/Ceramic/Buna-N
PACKING	ADAMPACK
SHIM SET	Stainless
FLAP VALVE	Rubber with canvas cover



Series: PF20MU

**3" x 3"
Universal Drive/Frame Mtd
Trash/Solids Handling**

Description

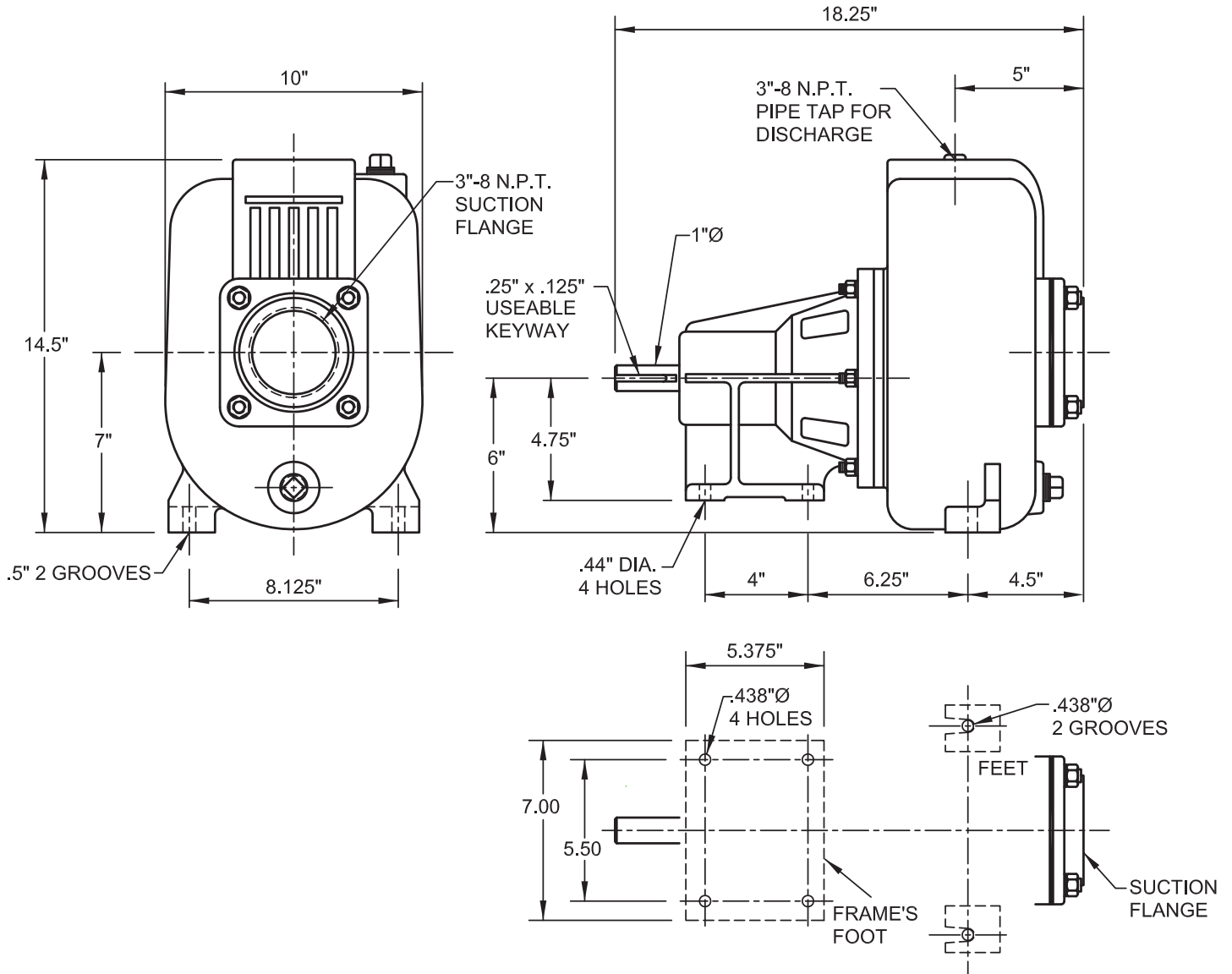
Self-Priming frame mounted pumps for Industrial, Municipal and Marine applications.



Page
34
Rev.
7/11

Series: PF20MU

**Self-Priming Frame Mounted Pumps
3" Suction x 3" Discharge NPT, Female**



Model	Weight
PF20MU	128 lbs

Not for pumping flammable liquids or hazardous materials that is not compatible with pump materials.

Series: PF20MU



Self-Priming Frame Mounted Pumps
3" Suction x 3" Discharge NPT, Female

