

**Model: PF25CCE**

## Features:

Self-priming centrifugal pumps designed for marine, municipal and industrial applications.

- **SUCTION/DISCHARGE:** 3" x 3" NPT, Female
- **LIQUID TEMPERATURE:** 160°F Continuous
- **INTERMEDIATE:** Cast Iron, ASTM, Class 30
- **VOLUTE:** Cast Iron, ASTM, Class 30
- **BODY:** Cast Iron, ASTM, Class 30
- **BASE:** Steel
- **PAINT:** Air dry enamel
- **SQUARE RINGS:** Buna-N
- **SHAFT:** 1035 cold rolled steel with bronze sleeve
- **HARDWARE:** Steel & Stainless steel
- **IMPELLER:** Open, trash type, dynamically balanced. 3/4" Dia., Spherical Solids, Material: Cast Iron
- **SEAL:** Design: Mechanical, Self Lubricated, 1.25" Dia. Material: Carbon/Ni-Resist/Buna-N
- **CHECK VALVE:** Valve Flap-Neoprene, Weight- Steel
- **MOTOR:** Open Drip Proof - C-Face, Footed, Squirrel Cage Induction. 40°C Ambient, Insulation: Class F  
or  
TEFC - C-Face, Squirrel Cage Induction. 40°C Ambient, Insulation: Class F
- **THREE PHASE:** Dual-Voltage 230/460, Usable at 208
- **OPTIONAL:** Bronze Fitted, Volute and Impeller, IEEE-45 TEFC Motors
- **WARRANTY:** 1 year

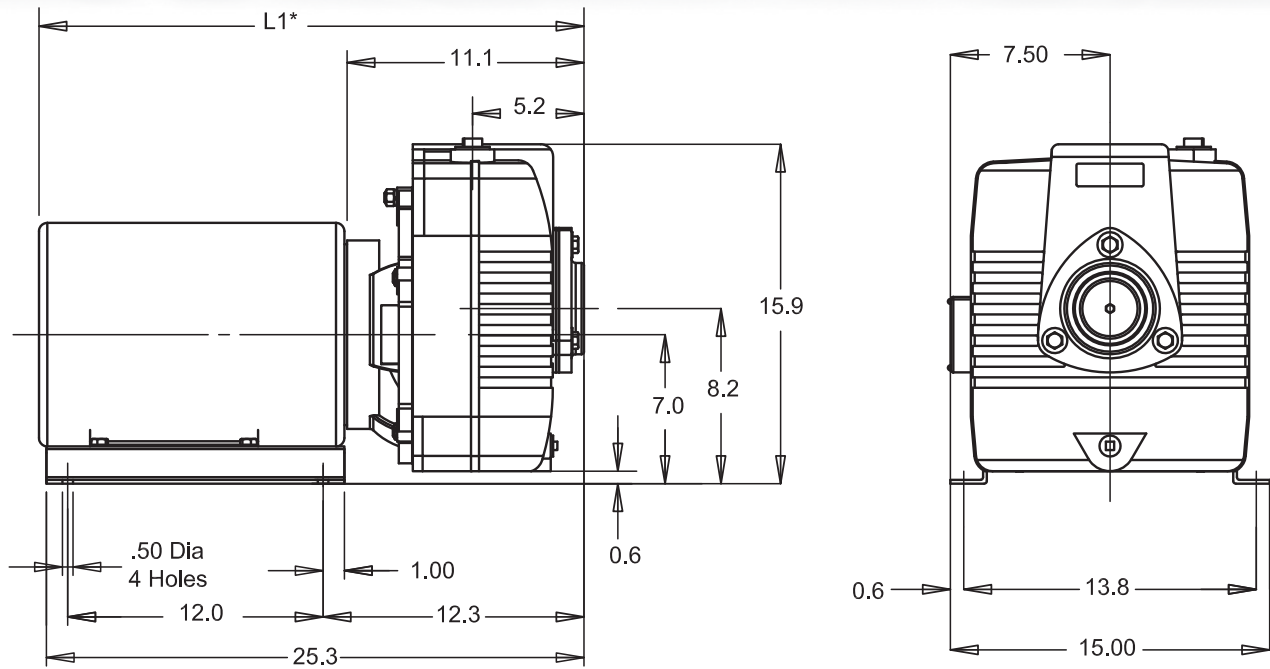


**Self-Priming,  
Close Coupled Pumps  
15HP  
3450RPM**

**Self-Priming Centrifugal Pumps - PFCCE - 3" x 3" NPT**

# Self-Priming Centrifugal Pumps - PFCCE - 3" x 3" NPT

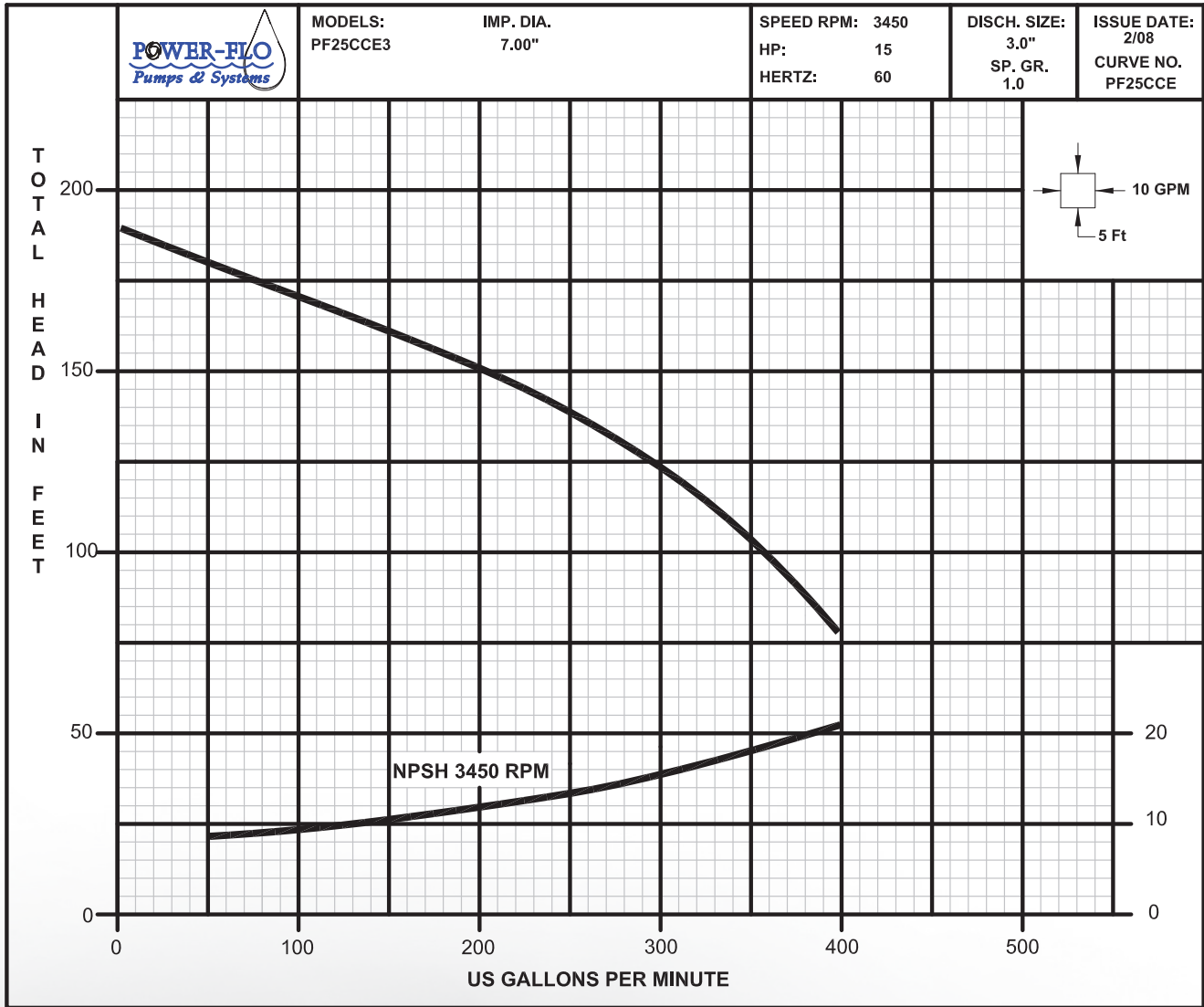
Model: PF25CCE



Model	HP	Enclosure	Frame	Volt	Ph	Hz	RPM	Full Load Amps*	L1* inches	Weight lbs
PF25CCE3	15	ODP	213T	208-230/460	3	60	3450	44-40/20	24.79	322 lb.
PF25CCE3-T	15	TEFC	215T	208-230/460	3	60	3450	38-35/17.5	27.49	341

(\*) Overall length of unit and AMPS is subject to the Motor Manufacture.  
For Bronze Fitted add suffix (-BF or -TBF) to model number.

Model: PF25CCE



**Self-Priming Centrifugal Pumps - PFCCE - 3" x 3" NPT**