



Series: PF33/PF50

**Submersible Effluent/Sump Pumps
1½" Discharge, 1/2" Spherical Solids, 1/3 & 1/2HP**



DISCHARGE	1-1/2" NPT, Female, Vertical
LIQUID TEMPERATURE	104°F Continuous
MOTOR HOUSING/ VOLUTE	Cast Iron, Class 30
STRAINER	Thermoplastic
IMPELLER	10 vane vortex, with pump out vanes on back side, Balanced. Material: Cast Iron
SHAFT	Stainless Steel
O-RINGS	Buna-N
HARDWARE	300 Series Stainless Steel
SEAL	Single Mechanical, Carbon/Ceramic/Buna-N
POWER CORD	10 Ft., 20 Ft., or 30 Ft. cord with plug
UPPER BEARING	Single Row, Ball, Oil Lubricated
LOWER BEARING	Single, Row, Ball, Oil Lubricated
MOTOR	Oil Filled, Class B insulation
SINGLE PHASE	Permanent Split Capacitor (PSC), Includes Overload Protection in Motor
PAINT	Powder Coated - Industrial Grade
LEVEL CONTROL- PF33:	(a) Manual, no float control & 10 ft long power cord with plug
PF33X & PF50X:	(b) Manual, no float control & 20 ft long power cord with plug
PF33A:	(c) Wide angle, mechanical & 10 ft long power cord with plug
PF33AX & PF50AX:	(d) Wide angle, mechanical & 20 ft long power cord with plug
PF33AX-30:	(e) Wide Angle, mechanical & 30 Ft long power cord with plug
PF33X-30:	(f) Manual, no float control & 30 Ft long power cord with plug
PF33VF:	(g) Vertical pvc float & 10 ft long power cord with plug
PF33VFX & PF50VFX:	(h) Vertical pvc float & 20 ft long power cord with plug
MIMIMUM SUMP DIAMETER	(a) 12" diameter: PF33, PF33X, PF50X, PF33VF, PF33VFX & PF50VFX (b) 18" diameter: PF33A, PF33AX & PF50AX

**Series: PF33, PF33X, PF33X-30
PF33A, PF33AX,
PF33AX-30, PF33VF,
PF33VFX, PF50X,
PF50AX, PF50VFX**

**1/3 & 1/2HP, 3450 RPM, 60 Hz
Submersible Sump Pumps**

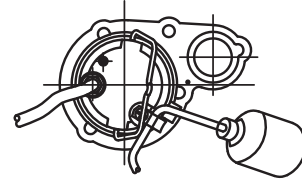
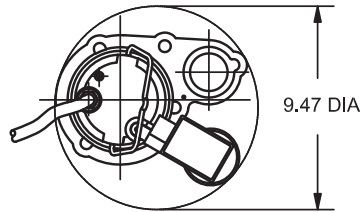
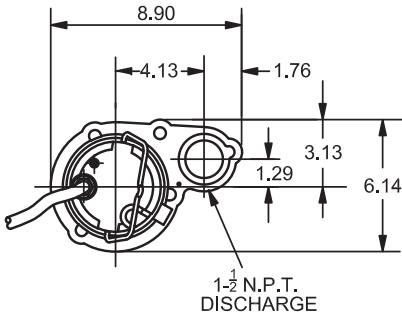
Description
General purpose pump for residential, light industrial and commercial sump applications.



Series: PF33/PF50



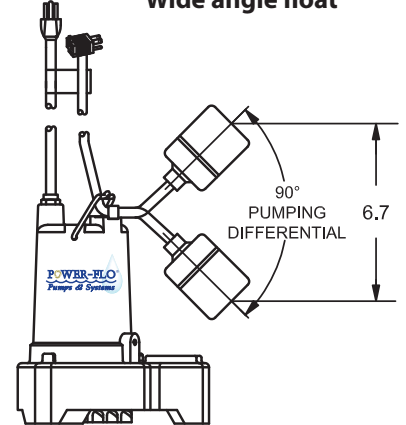
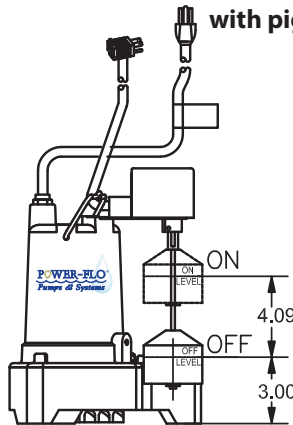
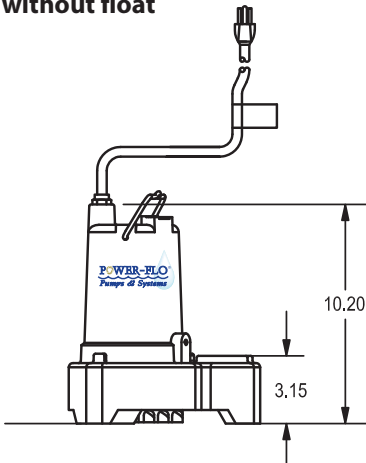
Submersible Effluent/Sump Pumps
1-1/2" Discharge, 1/2" Spherical Solids, 1/3 & 1/2HP



**PF33 & PF50
without float**

**PF33VF & PF50VF
vertical level control
with piggy-back plug**

**PF33A & PF50A with
Wide angle float**



MODEL	HP	Hz	Volts/Ph	RPM	Full Load Amps	NEMA Start Code	Cord Type	Cord Size	Cord Length
PF33	1/3	60	115/1	3450	7.5	B	SJTW	16/3	10 Ft
PF33X	1/3	60	115/1	3450	7.5	B	SJTW	16/3	20 Ft
PF33X-30	1/3	60	115/1	3450	7.5	B	SJTW	16/3	30 Ft
PF33A	1/3	60	115/1	3450	7.5	B	SJTW	16/3	10 Ft
PF33AX	1/3	60	115/1	3450	7.5	B	SJTW	16/3	20 Ft
PF33VF	1/3	60	115/1	3450	7.5	B	SJTW	16/3	10 Ft
PF33VFX	1/3	60	115/1	3450	7.5	B	SJTW	16/3	20 Ft
PF33AX-30	1/3	60	115/1	3450	7.5	B	SJTW	16/3	30 Ft
PF50X	1/2	60	115/1	3450	8.0	A	SJTW	16/3	20 Ft
PF50AX	1/2	60	115/1	3450	8.0	A	SJTW	16/3	20 Ft
PF50VFX	1/2	60	115/1	3450	8.0	A	SJTW	16/3	20 Ft



Series: PF33/PF50

Submersible Effluent/Sump Pumps
1½" Discharge, 1/2" Spherical Solids, 1/3 & 1/2HP

