

Model: PF40MU



**Self-Priming,  
Frame Mounted,  
Trash Handling Pumps  
Universal Drive**

Not for pumping flammable liquids or hazardous materials that is not compatible with pump materials.

**Features:**

Self-priming centrifugal frame mounted pumps designed for Industrial, Municipal and Marine applications.

- **SUCTION/DISCHARGE:** 4" x 4" NPT, Female
- **LIQUID TEMPERATURE:** 160°F Continuous
- **VOLUTE/WEARPLATE:** Cast Iron, ASTM A48, Class 30
- **SEAL PLATE:** Cast Iron, ASTM A48, Class 30
- **PEDESTAL:** Cast Iron, ASTM A48, Class 30
- **PAINT:** Air dry enamel
- **O-RINGS:** Buna-N
- **SHAFT:** Steel
- **HARDWARE:** Steel
- **IMPELLER:** 4 Vanes, Open trash type, 1-1/4" Diameter Spherical solids handling, Cast Iron, ASTM A48, Class 30,
- **SEAL:** Single Mechanical, type 21, Carbon/Ceramic/Buna-N,
- **CHECK VALVE:** Neoprene Flap type with cast iron weights
- **BEARING-DRIVE END:** Double Row, Ball, Oil Lubricated
- **BEARING-PUMP END:** Single Row, Ball, Oil Lubricated
- **WARRANTY:** 1 year
- **WEIGHT:** 330 lbs



**WARNING:** CANCER AND REPRODUCTIVE HARM-  
[WWW.P65WARNINGS.CA.GOV](http://WWW.P65WARNINGS.CA.GOV)

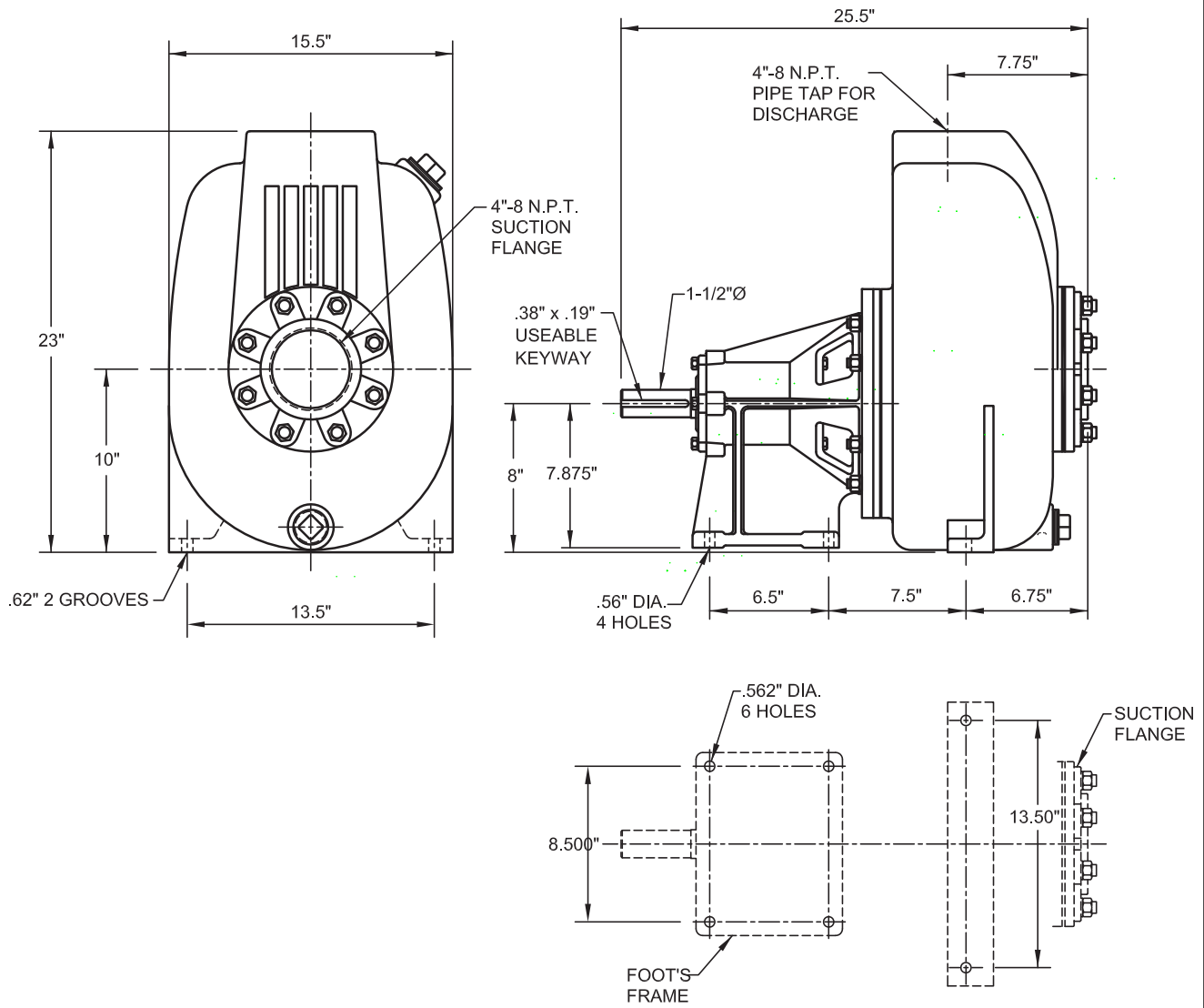


**Power-Flo Pumps & Systems**

*a Power-Flo Technologies company*

877-24PUMPS • fax: 516-812-6897 • [www.powerflopumps.com](http://www.powerflopumps.com)

Model: PF40MU



Self-Priming Centrifugal Pumps - PFMU - 4" x 4" NPT



Power-Flo Pumps & Systems

a Power-Flo Technologies company

877-24PUMPS • fax: 516-812-6897 • www.powerflopumps.com

Sect.  
SP  
Page  
37  
Rev.

02/2021

Model: PF40MU

Self-Priming Centrifugal Pumps - PFMU - 4" x 4" NPT

