

**Models: PF4SCE4236, PF4SCE4246  
PF4SCE12934, PF4SCE12944  
PF4SCE17734, PF4SCE17744**

**Features:**

Severe duty submersible cutter pump designed for un-screened stringy, fibrous raw sewage applications.

- **DISCHARGE:** 4" 125 lb., ANSI Flange, Horizontal
- **LIQUID TEMPERATURE:** 104°F Continuous
- **MOTOR HOUSING, VOLUTE & SEAL PLATE:** Cast Iron, Class 30
- **IMPELLER/CUTTER CONE:** 2 port, enclosed, Cast Iron, spiral cutter integral with impeller, Hardened steel 52/53 Rockwell "C"
- **CUTTER BLADE:** Hardened steel 45/47 Rockwell "C"
- **SHAFT:** 420 Stainless steel
- **HARDWARE:** 300 series Stainless steel
- **PAINT:** Air dry enamel
- **SQUARE RINGS:** Buna-N
- **SEAL:** Tandem mechanical, Oil Filled reservoir, with Upper - Carbon/Stainless/Buna-N, Lower - Tungsten Carbide/Tungsten Carbide/Buna-N
- **UPPER BEARING:** Single row, ball, grease lubricated
- **LOWER BEARING:** Double row, ball, grease lubricated
- **POWER CORD:** 30 Ft., Pressure grommet for sealing
- **SENSOR CORD:** 30 Ft. 4G1.5mm<sup>2</sup> , 0.457" O.D.
- **MOTOR:** NEMA B, Air filled, Class F Insulation, includes overload protection, Dual voltage 230/460, 3 Phase.
- **SEAL LEAK SENSOR:** Normally Open (N/O), Requires relay in control panel.
- **TEMPERATURE SENSOR:** Normally Closed (N/C), Requires relay in control panel
- **WARRANTY:** 1 Year

 **WARNING:** CANCER AND REPRODUCTIVE HARM-  
WWW.P65WARNINGS.CA.GOV



**Submersible Cutter Pump  
4" Discharge  
SCE**

MODEL	HP	VOLT/ PH	RPM	FULL LOAD AMPS	LOCKED ROTOR AMPS	NEMA START CODE	CORD TYPE	CORD O.D. inch	SIMPLEX PANEL P/N	DUPLEX PANEL P/N
PF4SCE4236	4.2	230/3	1150	12.8	63	G	4G1.5mm <sup>2</sup>	0.457	PF1054-ST-20	PF2054-ST-20
PF4SCE4246	4.2	460/3	1150	6.4	31.5	G	4G1.5mm <sup>2</sup>	0.457	PF1055-ST	PF2055-ST
PF4SCE12934	12.9	230/3	1750	35.4	230	J	4G6mm <sup>2</sup>	0.67	PF1134-ST-65	PF2134-ST-65
PF4SCE12944	12.9	460/3	1750	17.7	115	J	4G6mm <sup>2</sup>	0.67	PF1135-ST-20	PF2135-ST-20
PF4SCE17734	17.7	230/3	1750	45.8	292	H	4G6mm <sup>2</sup>	0.67	PF1184-ST-65	PF2184-ST-65
PF4SCE17744	17.7	460/3	1750	22.9	146	H	4G6mm <sup>2</sup>	0.67	PF1185-ST-25	PF2185-ST-25

NOTE: The use of a 4" Break Away Fitting is required with these pumps.

NOTE: **Seal Leak Sensor Relay kit** PF0861 & **Temperature Sensor Relay Kit** PF0876 are available for panels by others.

Relays included in panels shown in chart above.



**Power-Flo Pumps & Systems**

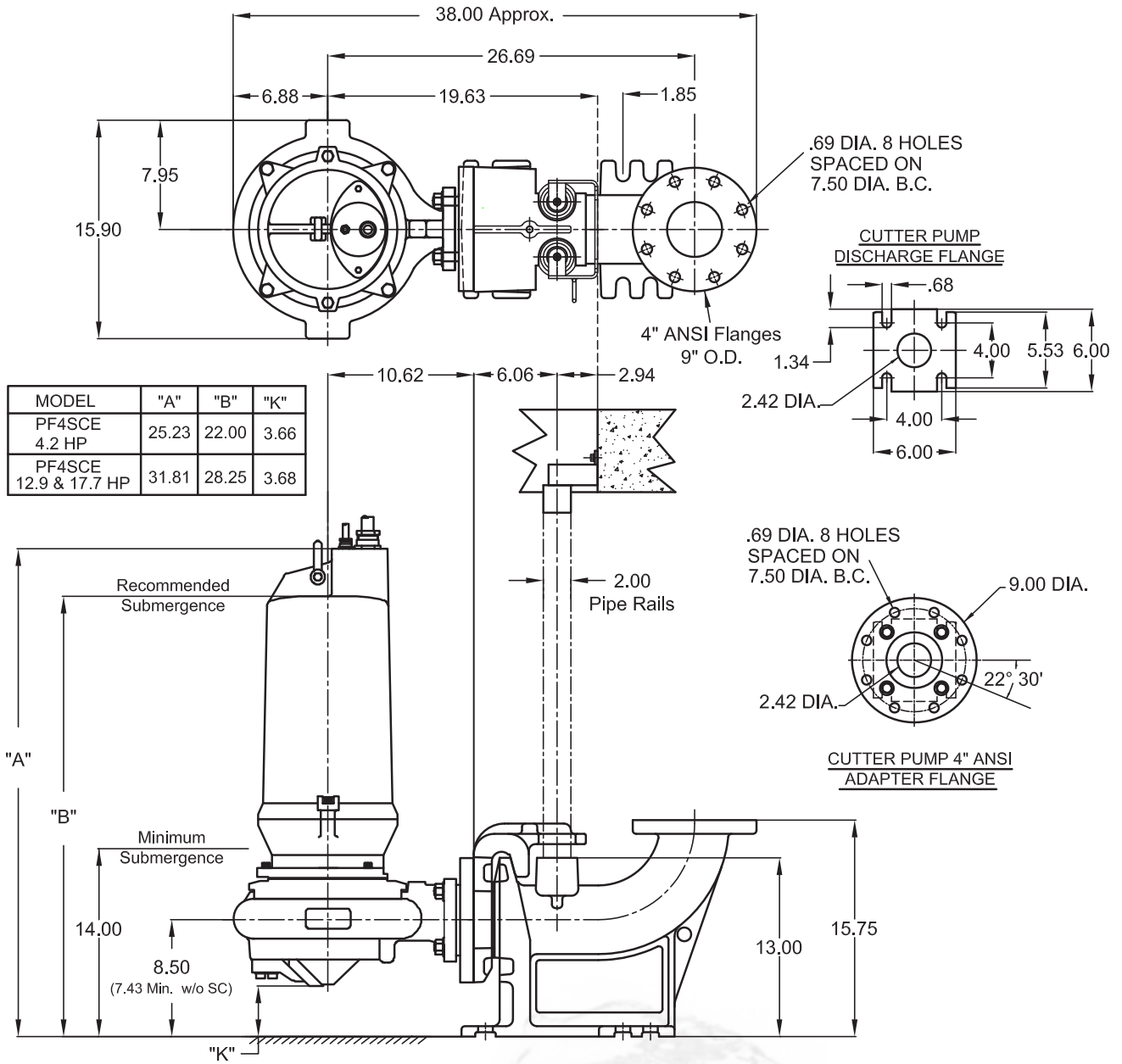
a Power-Flo Technologies company

877-24PUMPS • fax: 516-812-6897 • www.powerflopumps.com

**4" Cutter Pumps - SCE 4.2, 12.9 & 17.7HP - 1150 & 1750RPM - 60Hz**

# 4" Cutter Pumps - SCE 4.2, 12.9 & 17.7HP - 1150 & 1750RPM - 60Hz

**Models: PF4SCE4236, PF4SCE4246  
PF4SCE12934, PF4SCE12944  
PF4SCE17734, PF4SCE17744**



**Pump shown with PF400SC Slide Coupling. Slide Coupling sold separately.**

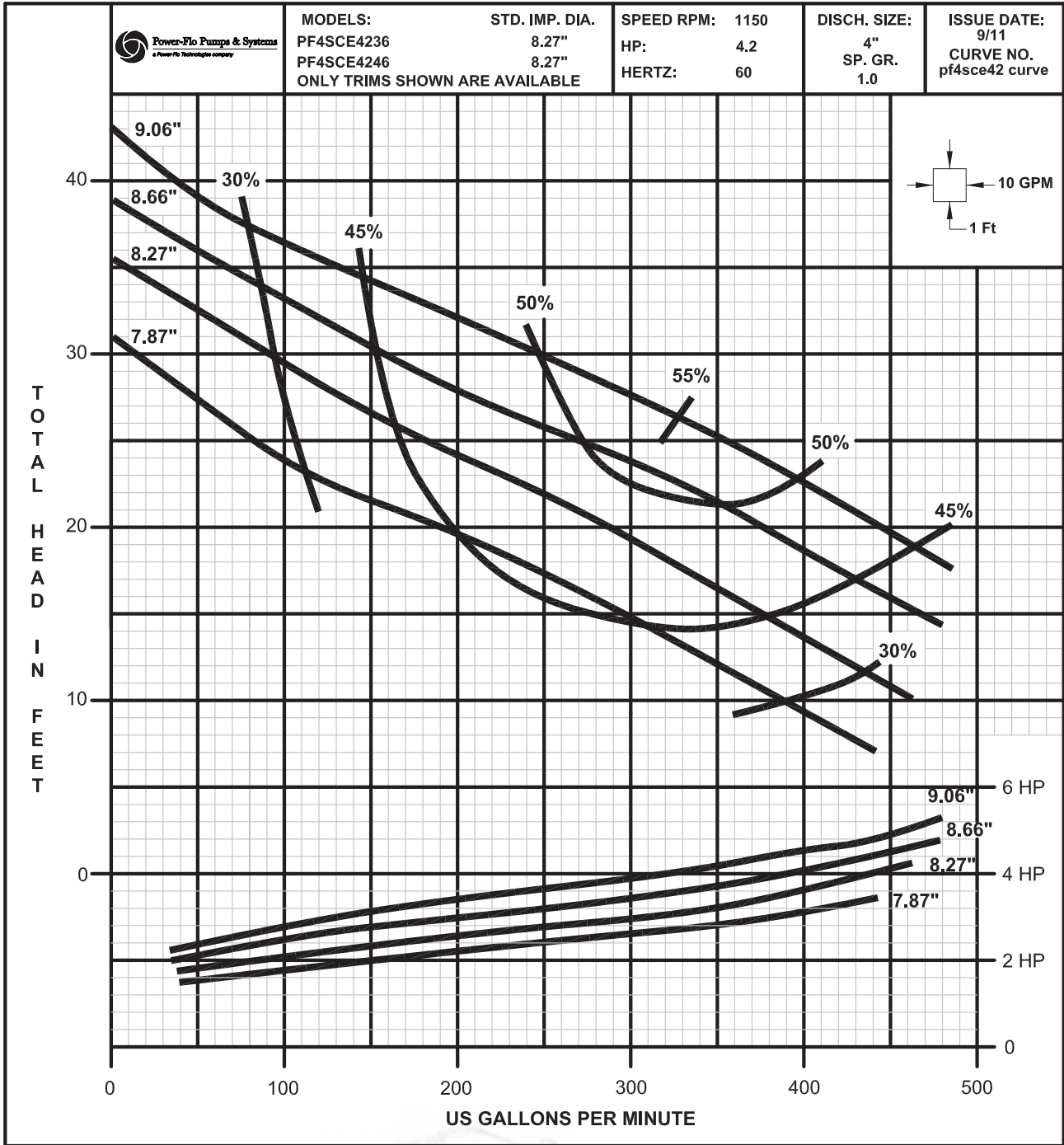


**Power-Flo Pumps & Systems**

*a Power-Flo Technologies company*

877-24PUMPS • fax: 516-812-6897 • [www.powerflopumps.com](http://www.powerflopumps.com)

**Models: PF4SCE4236, PF4SCE4246**



**4" Cutter Pumps - SCE 4.2HP - 1150RPM - 60Hz**



**Power-Flo Pump & Systems**

*a Power-Flo Technologies company*

877-24PUMPS • fax: 516-812-6897 • www.powerflopumps.com

Sect.  
CU  
Page  
11  
Rev.

02/2021

# 4" Cutter Pumps - SCE 12.9 & 17.7HP - 1750RPM - 60Hz

**Models: PF4SCE12934, PF4SCE12944  
PF4SCE17734, PF4SCE17744**

