

Model: PF7CU



**Self-Priming,
Frame Mounted Pumps
Universal Drive**

Not for pumping flammable liquids or hazardous materials that is not compatible with pump materials.

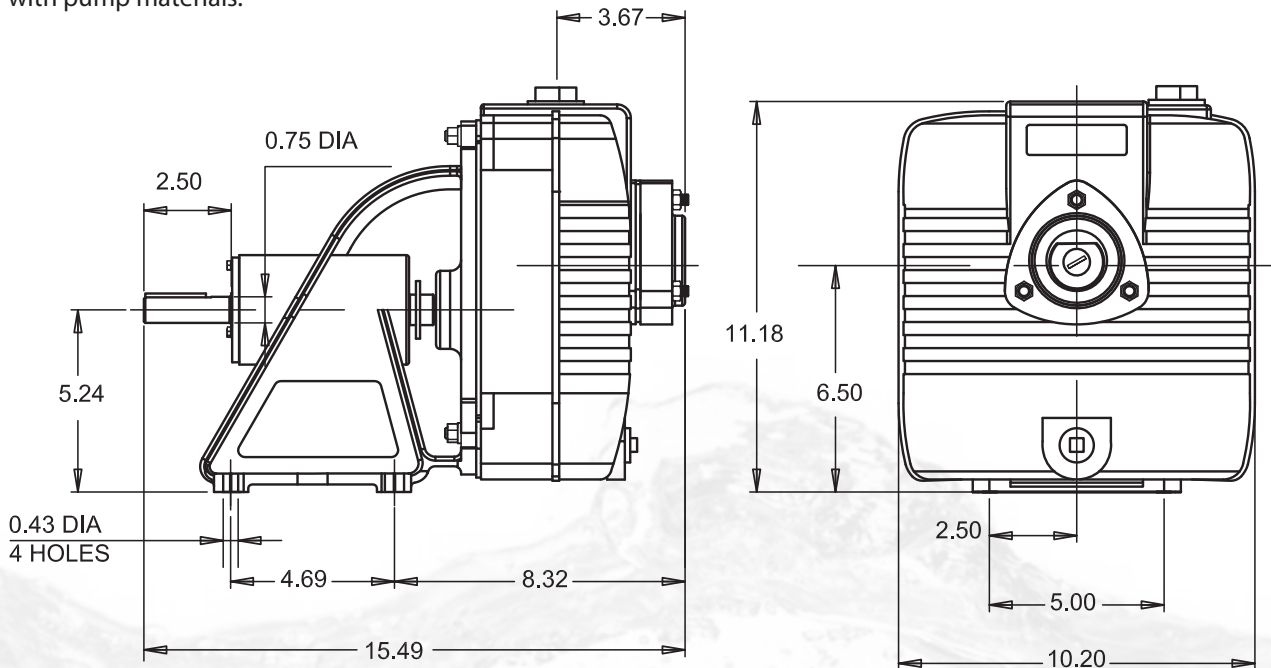
Features:

Self-priming centrifugal frame mounted pumps designed for industrial, Municipal and Marine applications.

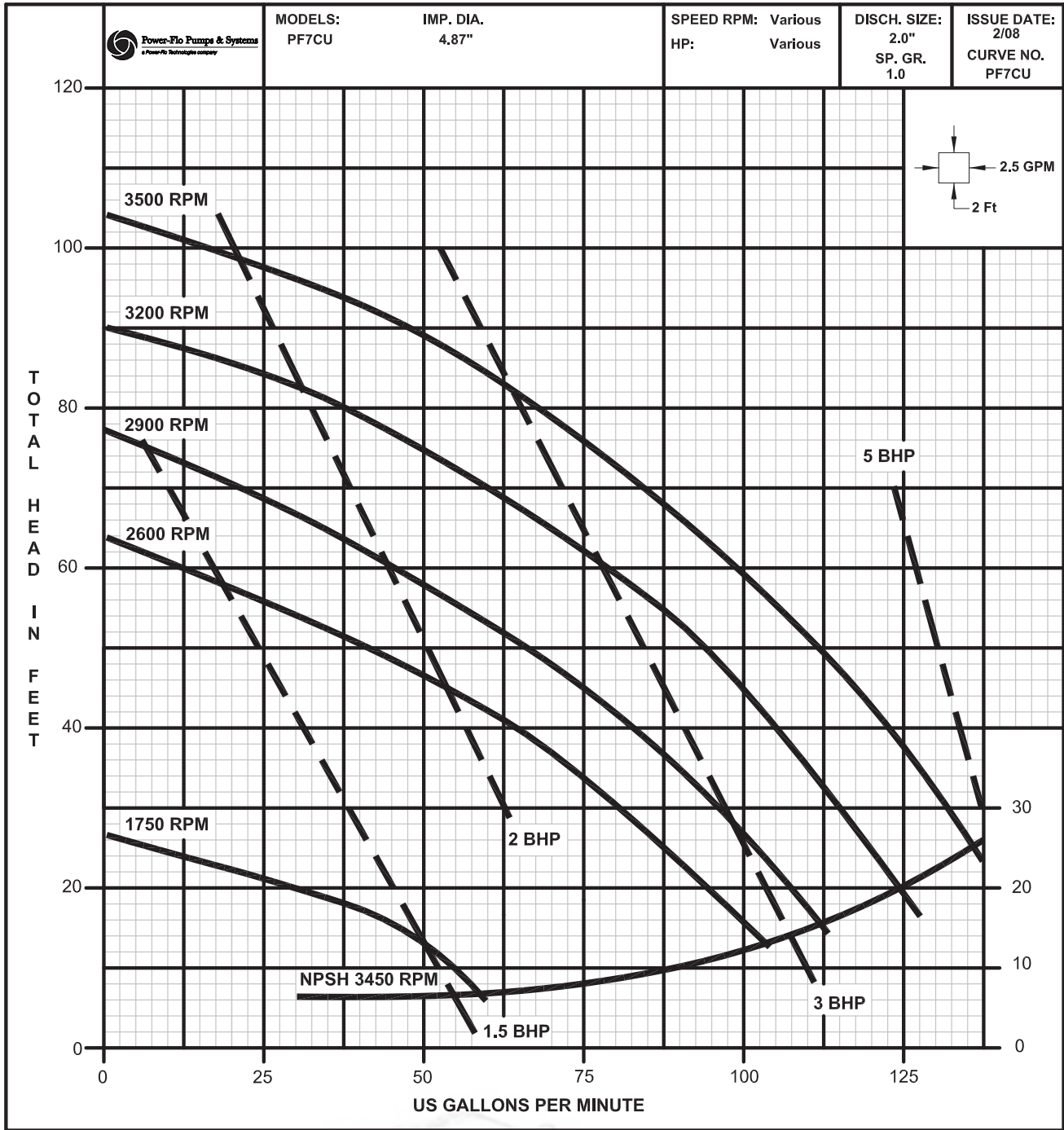
- **SUCTION/DISCHARGE:** 2" x 2" NPT, Female
- **LIQUID TEMPERATURE:** 160°F Continuous
- **VOLUTE:** Removable, Cast Iron, ASTM, Class 30
- **BODY:** Cast Iron, ASTM, Class 30
- **PEDESTAL:** Cast Iron, ASTM, Class 30
- **PAINT:** Air dry enamel
- **O-RINGS:** Buna-N
- **SHAFT:** Stainless steel
- **HARDWARE:** Steel & Stainless steel
- **IMPELLER:** Open, trash type, dynamically balanced, Cast Iron, Class 30
- **SEAL:** Mechanical, Self Lubrication, 5/8" Dia. Carbon/Ceramic/Buna-N
- **CHECK VALVE:** Valve Flap-Neoprene, Weight- Steel
- **BEARING-DRIVE END:** Single Row, Ball, Grease Lubricated
- **BEARING-PUMP END:** Single Row, Ball, Grease Lubricated
- **WARRANTY:** 1 year
- **WEIGHT:** 82 lbs



WARNING: CANCER AND REPRODUCTIVE HARM-
WWW.P65WARNINGS.CA.GOV



Model: PF7CU



Self-Priming Centrifugal Pumps - PFCU - 2" x 2" NPT



Power-Flo Pumps & Systems

a Power-Flo Technologies company

877-24PUMPS • fax: 516-812-6897 • www.powerflopumps.com

Sect.
SP
Page
19
Rev.

02/2021