

**Models: PF81032HH, PF81034HH, PF81032HV, PF81034HV**

## Features:

Power-Flo pumps are compact, lightweight powerful Portable Electric Submersible Pumps. They are whisper quiet and will perform in any position. Power-Flo pumps can be staged in series for higher head applications.

Power-Flo in-line design assures maximum heat transferred to the pumped liquid. Power-Flo pumps can operate in up to 140°F (60°C) temperature water. Power-Flo design provides the coolest operating motor for maximum life. Consult the factory prior to pumping fluids other than water for professional instructions

- **DISCHARGE CASE:** Aluminum, Hard Anodized
- **DIFFUSER:** Aluminum, Hard Anodized
- **SUCTION CASE:** Aluminum, Hard Anodized, with wear resistant polyurethane liner
- **FRAME & OUTER CASE:** Aluminum, Hard Anodized
- **WEAR PLATE:** Polyurethane
- **PUMP SHAFT:** Stainless Steel
- **IMPELLER:** Hardened 17-4 Stainless Steel
- **HARDWARE:** Stainless Steel
- **O-RINGS:** Buna-N
- **SEAL:** Tandem mechanical, Oil lubricated
  - **INBOARD:** Carbon/Ceramic/Buna-N, Hardware-300 Series Stainless
  - **OUTBOARD:** Silicon Carbide/Silicon Carbide/Buna-N Hardware - 300 Series Stainless
- **STRAINER:** Stainless Steel, 1/4" Holes
- **UPPER BEARING:** Single Row, Shielded, Ball, Pre lubricated high- temperature grease, Load: Radial
- **LOWER BEARING:** Single Row, Shielded, Ball, Pre lubricated high-temperature grease, Load: Radial & Thrust
- **CORD ENTRY:** 50 Ft., 6/4 SOOW - 230 Volt, 12/4 SOOW - 460 Volt, with Strain Relief and Pressure Grommet for Sealing
- **MOTOR:** Class H insulation, VPI
- **CONTROL:** NEMA 3R Rainproof, w/Circuit Breaker
- **OPTIONAL:** NEMA-4 Weathertight Control, NEMA-4 Dual Float Control
- **WARRANTY:** 1 year



**Submersible  
Dewatering  
4" NPT Female**



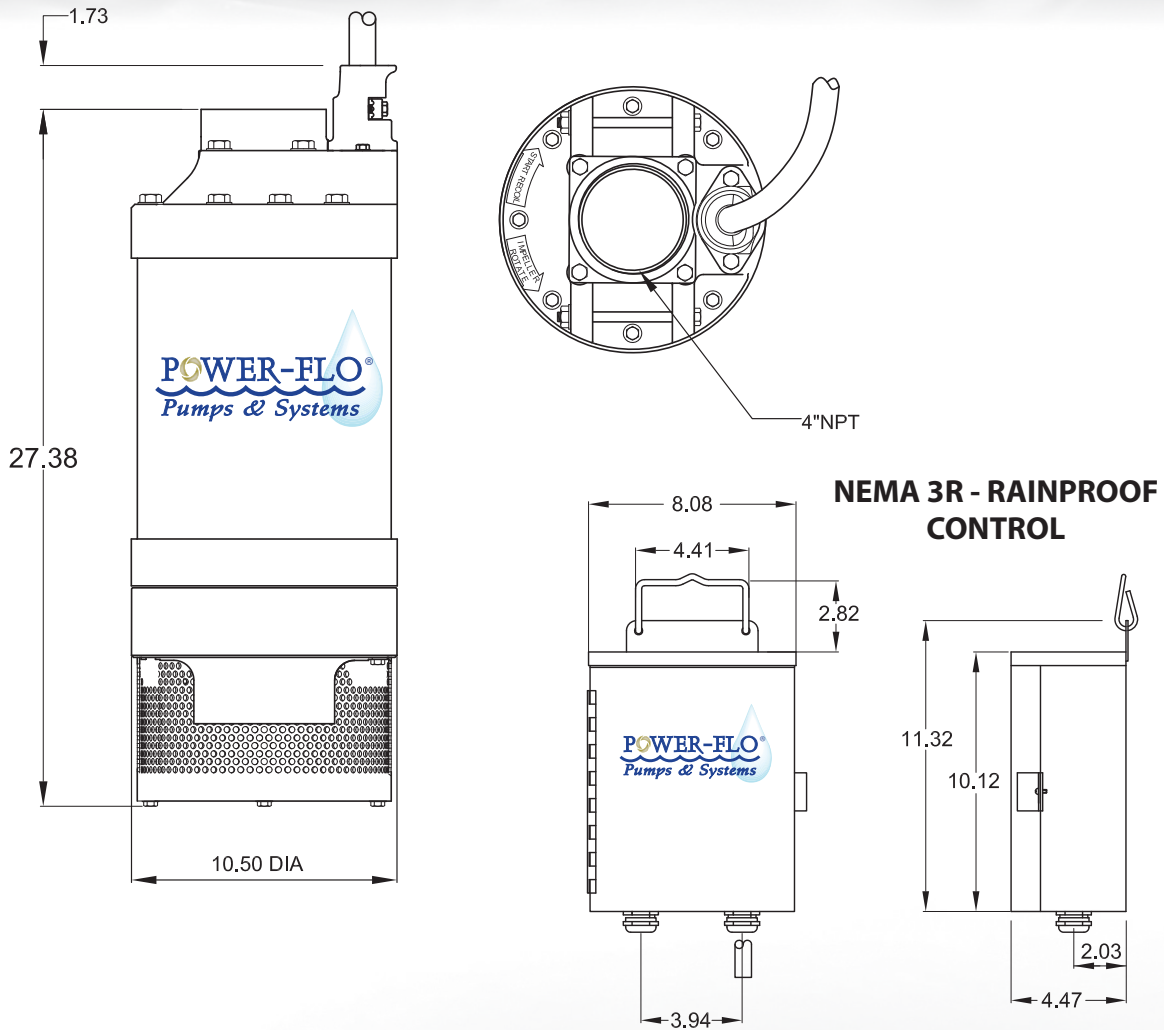
## Vacuum Pressure Impregnation "VPI" Sealed Insulation System

VPI motor enhancement system was developed to greatly extend the winding life expectancy of an electric motor. The motor stator is loaded into a pressure vessel and immersed in the specialty selected varnish. All gas pockets located within the stator are evacuated under vacuum. The varnish is drawn into the stator core, completely occupying all voids in the winding.

Following a series of processes, ending in a controlled bake, the winding is 100% impregnated and sealed. VPI is greatly superior to the "dip and bake" method which may provide only 50% to 70% of effective insulation leaving voids and air pockets. VPI provides 100% solid mass structure which provides the greatest mechanical strength and a cooler running motor due to superior heat dissipation.

# Dewatering Pumps - 10HP - 3450RPM - 60Hz

**Models: PF81032HH, PF81034HH, PF81032HV, PF81034HV**



MODEL #	HP	VOLT/PH	Hz	RPM	FULL LOAD AMPS	LOCKED ROTOR AMPS	NEMA START CODE	MAX CORD LENGTH (FT)	NEMA 3R CONTROL BOX
<b>HH SERIES W/ NEMA 3R RAINPROOF CONTROL</b>									
PF81032HH	10	230/3	60	3450	30	208	K	475	V810832
PF81034HH	10	460/3	60	3450	15	104	K	500	V810834
<b>HV SERIES W/ NEMA 3R RAINPROOF CONTROL</b>									
PF81032HV	10	230/3	60	3450	30	208	K	475	V810832
PF81034HV	10	460/3	60	3450	15	104	K	500	V810834

Notes: Add "LC" to model number for Less Control Box.

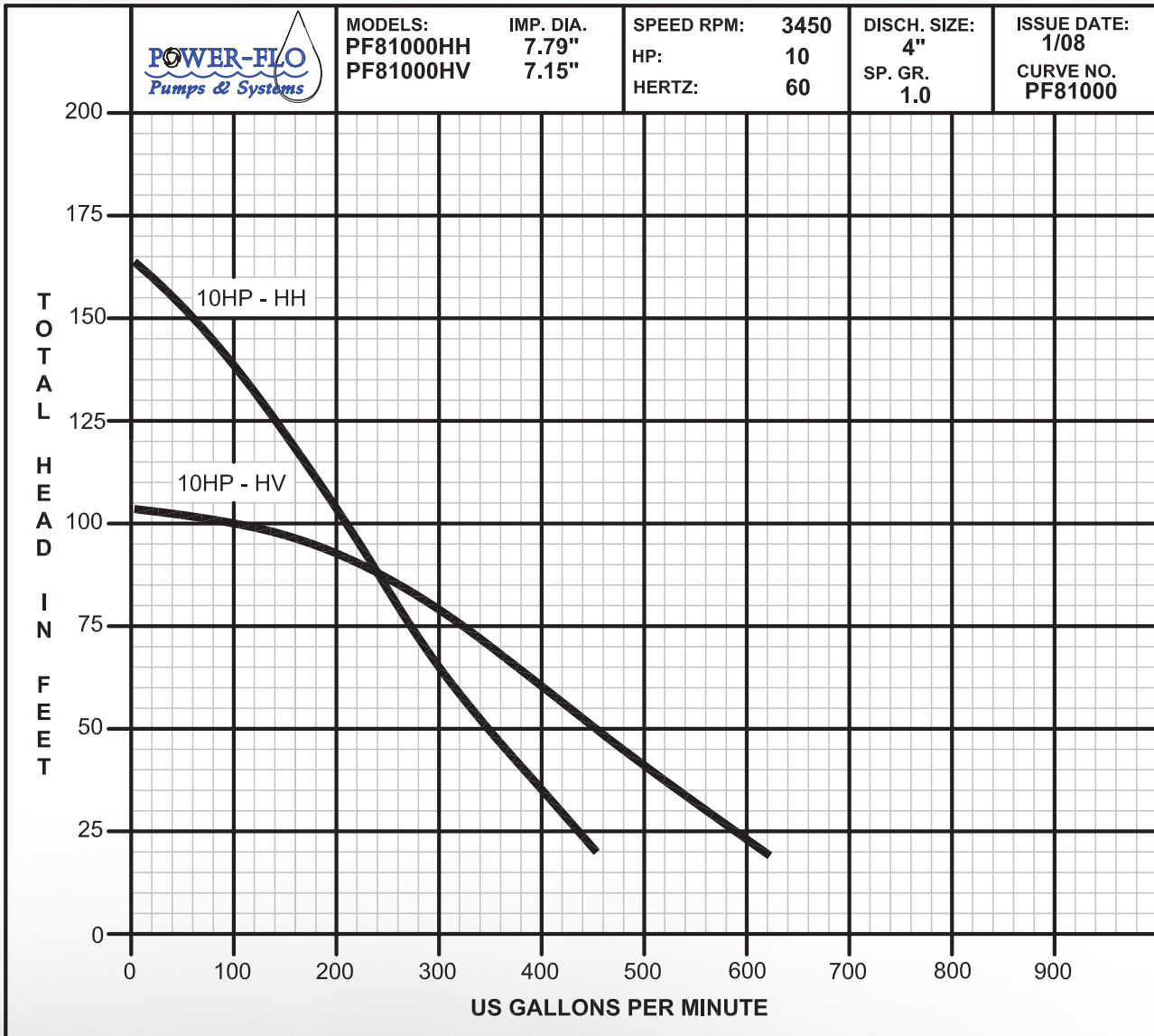
**IMPORTANT APPLICATION INFORMATION !**

- 1) FOR THOSE APPLICATIONS SPECIFIED AS CLASS I DIVISION II HAZARDOUS LOCATIONS THIS PUMP AND CONTROL SUPPLIED ARE NOT APPROPRIATE FOR HAZARDOUS LOCATIONS.
- 2) INSTALLATIONS SUCH AS DECORATIVE WATER FEATURES MUST BE INSTALLED IN ACCORDANCE WITH THE NATIONAL ELECTRIC CODE ANSI/ NFPA 70. THIS PUMP IS NOT INTENDED FOR USE IN RECREATIONAL WATER PARKS, SWIMMING POOLS, OR INSTALLATIONS IN WHICH HUMANS ARE IN CONTACT WITH THE PUMPED FLUID.



MODEL	POWER CORD WEIGHT	CONTROL BOX WEIGHT	PUMP ONLY WEIGHT	SHIPPING WEIGHT
10 hp	15.4 lbs	8.8 lbs	154 lbs	209 lbs

Models: PF81032HH, PF81034HH, PF81032HV, PF81034HV



Dewatering Pumps - 10HP - 3450RPM - 60Hz