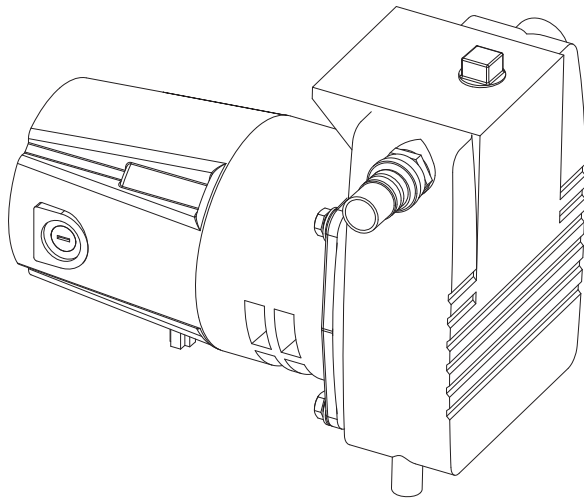


# POWER-FLO

## *Pumps & Systems*



<b>DISCHARGE</b>	3/4" NPT Inlet /Outlet
<b>LIQUID TEMPERATURE</b>	104°F Continuous
<b>MOTOR HOUSING</b>	Thermoplastic
<b>VOLUTE</b>	Cast Iron
<b>IMPELLER</b>	3 Vane, Open type, Thermoplastic
<b>SHAFT</b>	Steel
<b>O-RINGS</b>	Buna-N
<b>HARDWARE</b>	Steel
<b>SEAL</b>	Single Mechanical Material: Carbon/Ceramic/Buna-N
<b>POWER CORD</b>	10 Ft., cord with plug
<b>MOTOR</b>	Air Filled, Class B Insulation
<b>SINGLE PHASE</b>	Thermal Protected

### Description

General purpose utility pump for residential use to water lawns, pump out flooded basements, boost city water pressure, bail out boats.

**Series: PFACE**

**1/2HP, 7000RPM, 60Hz  
Utility Pump**

### General Safety Information

Before installation, read the following instructions carefully. Failure to follow instruction and Safety information could cause serious bodily injury, death and/or property damage. Each Power-Flo pump is individually factory tested to insure proper performance. Closely following these instructions will eliminate potential operating problems, assuring years of trouble-free service.

#### ⚠ WARNING

- Risk of electric shock. To reduce risk of electric shock, always disconnect pump from power source before handling.



**DO NOT SUBMERGE PUMP OR LOCATE PUMP WHERE WATER WILL COME IN CONTACT WITH MOTOR. NOT FOR USE IN WET LOCATIONS SUCH AS SPAS, SHOWERS OR HOT TUBS.**

#### ⚠ WARNING

- This pump is for pumping water only, NOT intended for applications including hazardous materials such as gasoline, kerosene, etc.
- Pump MUST be installed with a ground fault circuit interrupter (GFCI).
- Secure discharge line before operating.
- **DO NOT** use power cord to lift pump. Protect cable from cuts and punctures. Do not handle power cable with wet hands.



**ALL RETURNED PRODUCTS MUST BE CLEANED, SANITIZED, OR RECONTAMINATED PRIOR TO SHIPMENT, TO INSURE EMPLOYEES WILL NOT BE EXPOSED TO HEALTH HAZARDS IN HANDLING SAID MATERIAL. ALL APPLICABLE LAWS AND REGULATIONS SHALL APPLY.**

#### ⚠ CAUTION

- Release all pressure and drain all liquid from pump before servicing.
- **DO NOT RUN PUMP DRY**
- Pumps build up heat and pressure during operation-allow time for pumps to cool before handling or servicing.



This pump is **NOT** intended for use in swimming pools or any body of water with human contact. Pumps when used as a decorative water fountain pump **MUST** be used in circuit protected by a Ground Fault Interrupter.

- Bronze/brass fitted pumps may contain levels higher than considered safe for potable water systems. Government agencies have determined that leaded copper alloys should not be used in potable water applications.

### Receiving & Operation

#### Receiving Inspection

Upon receiving the pump, it should be inspected for damage or shortages. If damage has occurred, file a claim immediately with the company that delivered the pump. If the manual is removed from the packaging, do not lose or misplace.

#### Electrical Connections

This pump is supplied with a three prong grounding plug. A shock hazard and serious injury can result if the plug is connected to an ungrounded outlet. Pump should be connected to a three prong grounded outlet with a ground fault interrupter. **DO NOT REMOVE THE GROUND PRONG!**

#### Operation

Locate pump no more than 15 ft above or away from inlet source.

Use only reinforced hose or rigid pipe for the suction hose. Make sure all connections are tight and free of leaks. Leaks on suction side will reduce the efficiency of the pump and may prevent priming.

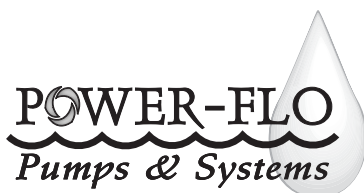
A regular garden hose may be used on the discharge side.

Prime pump by removing plug and fill pump body with water. Replace plug.

Plug pump into a GFCI receptacle. The

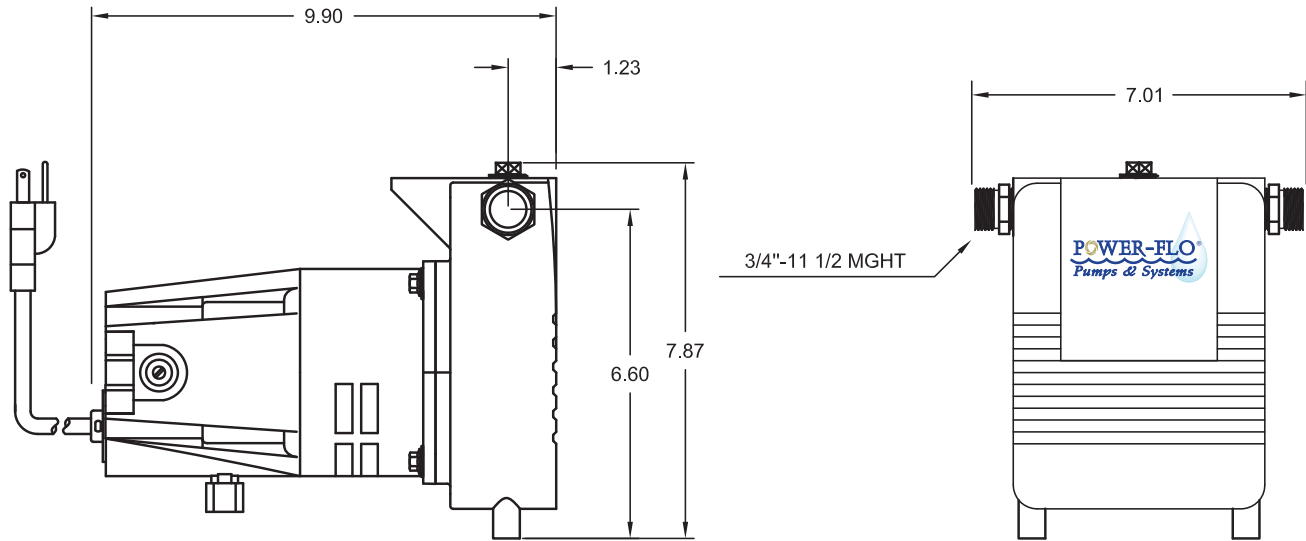
pump takes several minutes to prime. The priming time depends upon the suction line length and vertical distance between the pump and inlet source.

When pumping from a source where foreign objects or small debris may be sucked into the pump a strainer is recommended on the suction side and one that does not restrict the flow of water into the pump.



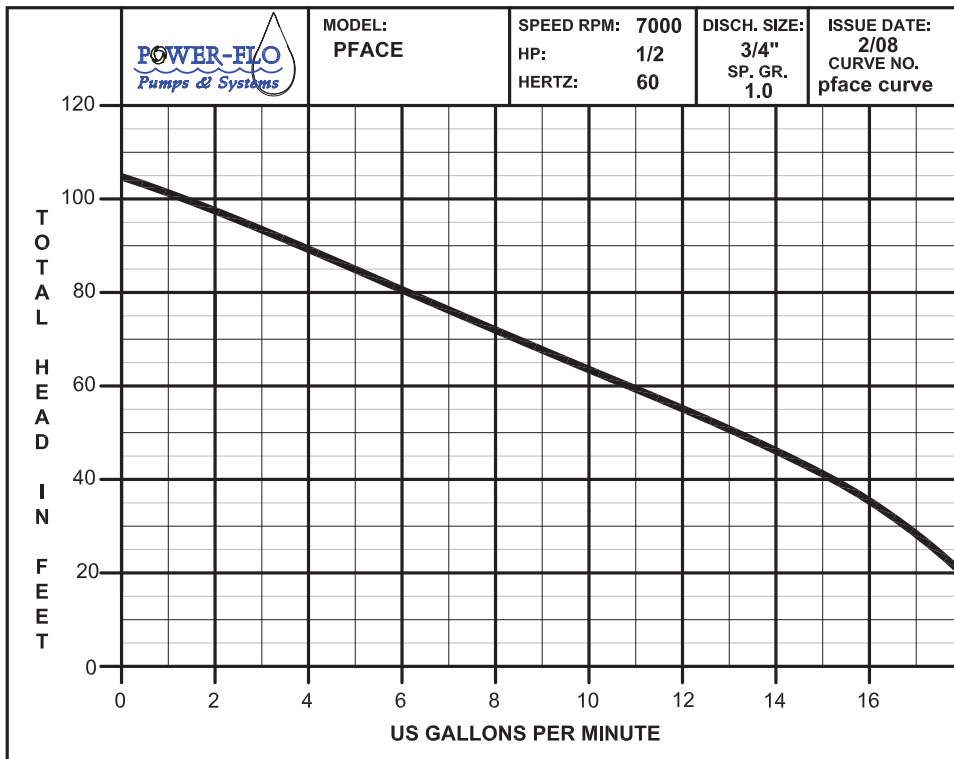
® Power-Flo is a registered trademark of Power-Flo Technologies Inc. Other brand and product names are trademarks or registered trademarks of their respective holders. Alteration Rights Reserved. 2/08, 6/09

**Dimensions**



MODEL	HP	Hz	Volts/Ph	RPM	Full Load Amps	Cord Length	Cord Type
PFACE	1/2	60	115/1	7000	9.0	10 Ft	SJT

**Performance**



## LIMITED WARRANTY

Manufacturer warrants, to the immediate purchaser and subsequent initial owner during the warranty period, every new pump to be free from defects in material and workmanship under normal use and service, when properly used and maintained, for a period of eighteen (18) months from date of manufacture or twelve (12) months from date of installation (which ever comes first). Failure due to wear due to excessive abrasives is not covered. The initial owner is the purchaser who first uses the pump after its initial installation, or for non-permanent installation, the first owner who uses the pump. The date of installation shall be determined by a dated sales receipt noting the model and serial number of the pump. The dated sales receipt must accompany the returned pump. Product will be repaired, replaced or remanufactured at Manufacturer's option. No allowance will be made for shipping charges, damages, labor or other charges that may occur due to product failure, repair or replacement. This warranty does not apply to and there shall be no warranty for any material or product that has been disassembled without prior approval of Manufacturer, subjected to misuse, misapplication, neglect, alteration, accident or act of God; that has not been installed, operated or maintained in accordance with Manufacturer's installation instructions; that has been exposed to outside substances including but not limited to the following: sand, gravel, cement, mud, tar, hydrocarbons, hydrocarbon derivatives (oil, gasoline, solvents, etc.), or other abrasive or corrosive substances, wash towels or feminine sanitary products, etc. in all pumping applications. The warranty set out in the paragraph above is in lieu of all other warranties expressed or implied; and we do not authorize any representative or other person to assume for us any other liability in connection with our products. Contact Manufacturer at: 1-877-24PUMPS or [www.powerflopumps.com](http://www.powerflopumps.com), Attention: Customer Service Department, to obtain any needed repair or replacement of part(s) or additional information pertaining to our warranty.

**MANUFACTURER EXPRESSLY DISCLAIMS LIABILITY FOR SPECIAL, CONSEQUENTIAL OR INCIDENTAL DAMAGES OR BREACH OF EXPRESSED OR IMPLIED WARRANTY; AND ANY IMPLIED WARRANTY OF FITNESS FOR A PARTICULAR PURPOSE AND OF MERCHANTABILITY SHALL BE LIMITED TO THE DURATION OF THE EXPRESSED WARRANTY.**

Some states do not allow limitations on the duration of an implied warranty, so the above limitation may not apply to you. Some states do not allow the exclusion or limitation of incidental or consequential damages, so the above limitation or exclusion may not apply to you. This warranty gives you specific legal rights and you may also have other rights which vary from state to state.

