



Series: PF3CCE, PF4CCE, PF5CCE

Self-Priming Close Coupled Pumps
1-1/2" NPT Suction & Discharge, 1-1/2, 2 & 3HP



SUCTION/DISCHARGE	1½" x 1½" NPT, female
LIQUID TEMPERATURE	160°F Continuous
INTERMEDIATE	Cast Iron ASTM, Class 30
VOLUTE	Cast Iron ASTM, Class 30
BODY	Cast Iron ASTM, Class 30
PEDESTAL	Steel
PAINT	Air dry enamel
SQUARE RING	Bune-N
SHAFT	416 Stainless Steel
HARDWARE	Steel & Stainless Steel
IMPELLER	Open, trash type, dynamically balanced. 3/8" Dia., Spherical Solids Material: Cast Iron
SEAL	Design: Mechanical Lubrication: Self Lubrication Material: Carbon/Ceramic/Buna-N
CHECK VALVE	Valve Flap-Neoprene Weight- Steel
MOTOR	Open Drip Proof, C-Face, Footed, Squirrel Cage Induction. 40°C Ambient Insulation: Class B
	TEFC, C-Face, Squirrel Cage Induction. 40°C Ambient, Insulation: Class B or F
THREE PHASE	Dual-Voltage 230/460, Usable at 208
SINGLE PHASE	Dual-Voltage 115/230
OPTIONAL	Bronze Fitted, Volute and Impeller

**Series: PF3CCE, PF4CCE
 PF5CCE
 1-1/2" x 1-1/2"
 1-1/2, 2 & 3 HP, 3450 RPM**

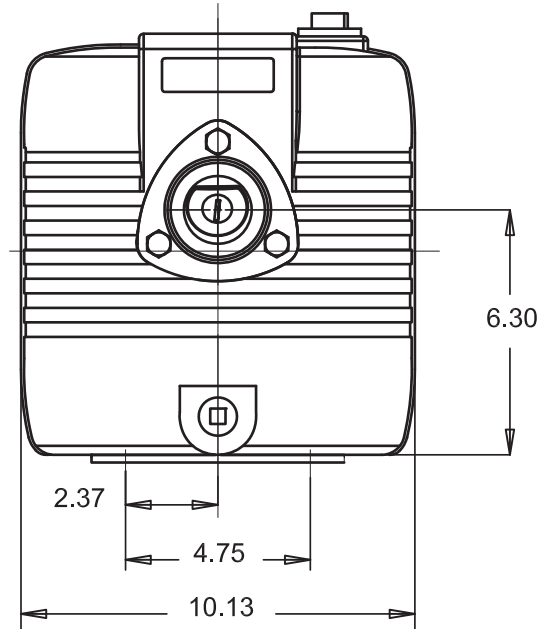
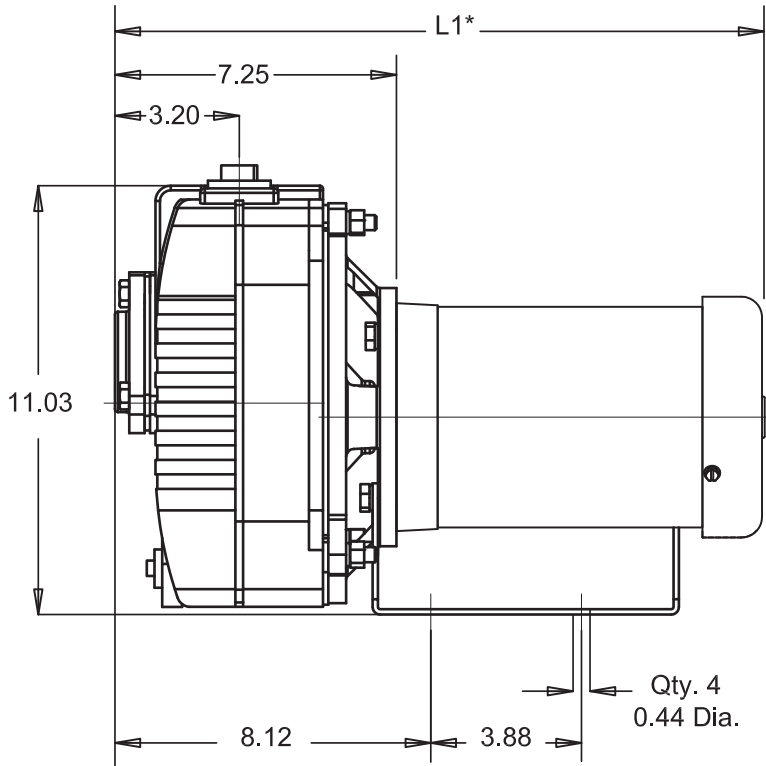
DESCRIPTION:

Self-priming centrifugal pumps designed for marine, municipal and industrial applications.

Series: PF3CCE, PF4CCE, PF5CCE

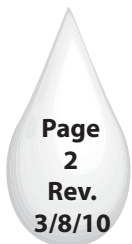


Self-Priming Close Coupled Pumps
1-1/2" NPT Suction & Discharge, 1-1/2, 2 & 3HP



Model	HP	Enclosure	Volts Usable at 208	Phase	Hz	RPM	Full Load Amps*	L1 * inches	Weight lbs
PF3CCE1	1-1/2	ODP	115/230	1	60	3450	13/6.5	18.58	91
PF3CCE1-T	1-1/2	TEFC	115/230	1	60	3450	16.6/8.3	18.43	98
PF3CCE3	1-1/2	ODP	208-230/460	3	60	3450	5.5- 4.4/2.2	17.91	84
PF3CCE3-T	1-1/2	TEFC	208-230/460	3	60	3450	4.9 - 4.6/2.3	17.16	85
PF4CCE1	2	ODP	115/230	1	60	3450	26/13	17.93	101
PF4CCE1-T	2	TEFC	115/230	1	60	3450	23/11.5	19.31	112
PF4CCE3	2	ODP	208-230/460	3	60	3450	6.4-5.4/2.7	18.41	92
PF4CCE3-T	2	TEFC	208-230/460	3	60	3450	7.0-5.4/2.7	18.43	98
PF5CCE1	3	ODP	208-230	1	60	3450	13.9-13	18.81	105
PF5CCE1-T	3	TEFC	115/230	1	60	3450	26/13	20.68	117
PF5CCE3	3	ODP	208-230/460	3	60	3450	8.5-8/4	18.43	94
PF5CCE3-T	3	TEFC	208-230/460	3	60	3450	8.1-7.6/3.8	18.43	97

(*) Overall length of unit, weight and AMPS is subject to the Motor Manufacture.
 For Bronze Fitted add suffix (-BF or -TBF for TEFC) to model number.





Series: PF3CCE, PF4CCE, PF5CCE

Self-Priming Close Coupled Pumps
1-1/2" NPT Suction & Discharge, 1-1/2, 2 & 3HP

