

**Models: PF3CCE, PF4CCE, PF5CCE**

## Features:

Self-priming centrifugal pumps designed for marine, municipal and industrial applications.

- **SUCTION/DISCHARGE:** 1-1/2" x 1-1/2" NPT, Female
- **LIQUID TEMPERATURE:** 160°F Continuous
- **INTERMEDIATE:** Cast Iron, ASTM, Class 30
- **VOLUTE:** Cast Iron, ASTM, Class 30
- **BODY:** Cast Iron, ASTM, Class 30
- **PEDESTAL:** Steel
- **PAINT:** Air dry enamel
- **SQUARE RINGS:** Buna-N
- **SHAFT:** 416 Stainless steel
- **HARDWARE:** Steel & Stainless steel
- **IMPELLER:** Open, trash type, dynamically balanced. 3/8" Dia., Spherical Solids, Material: Cast Iron
- **SEAL:** Design: Mechanical, Self Lubricated, 5/8" Dia. Material: Carbon/Ceramic/Buna-N
- **CHECK VALVE:** Valve Flap-Neoprene, Weight- Steel
- **MOTOR:** Open Drip Proof - C-Face, Footed, Squirrel Cage Induction. 40°C Ambient, Insulation: Class B  
or  
TEFC - C-Face, Squirrel Cage Induction. 40°C Ambient, Insulation: Class B or F
- **SINGLE PHASE:** Dual-Voltage 115/230
- **THREE PHASE:** Dual-Voltage 230/460, Usable at 208
- **OPTIONAL:** Bronze Fitted, Volute and Impeller, IEEE-45 TEFC Motors
- **WARRANTY:** 1 year

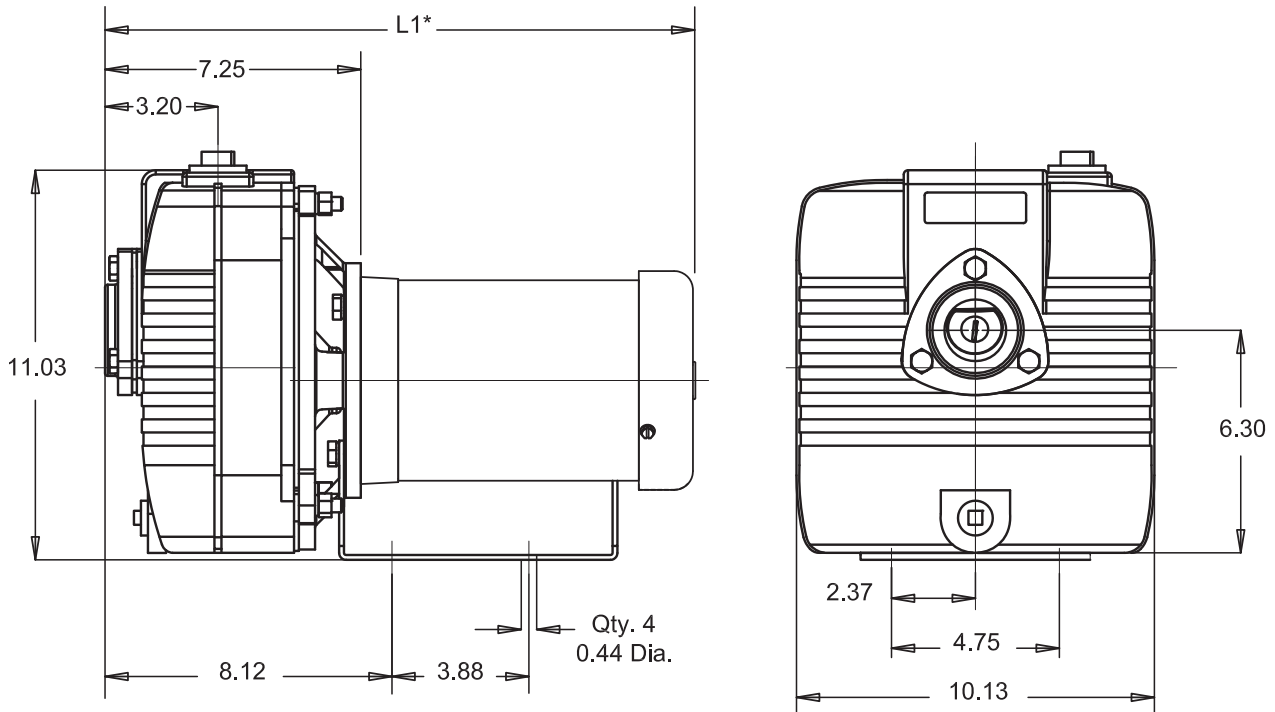


**Self-Priming,  
Close Coupled Pumps  
1-1/2, 2 & 3HP  
3450RPM**

**Self-Priming Centrifugal Pumps - PFCCE - 1-1/2" x 1-1/2" NPT**

# Self-Priming Centrifugal Pumps - PFCCE - 1-1/2" x 1-1/2" NPT

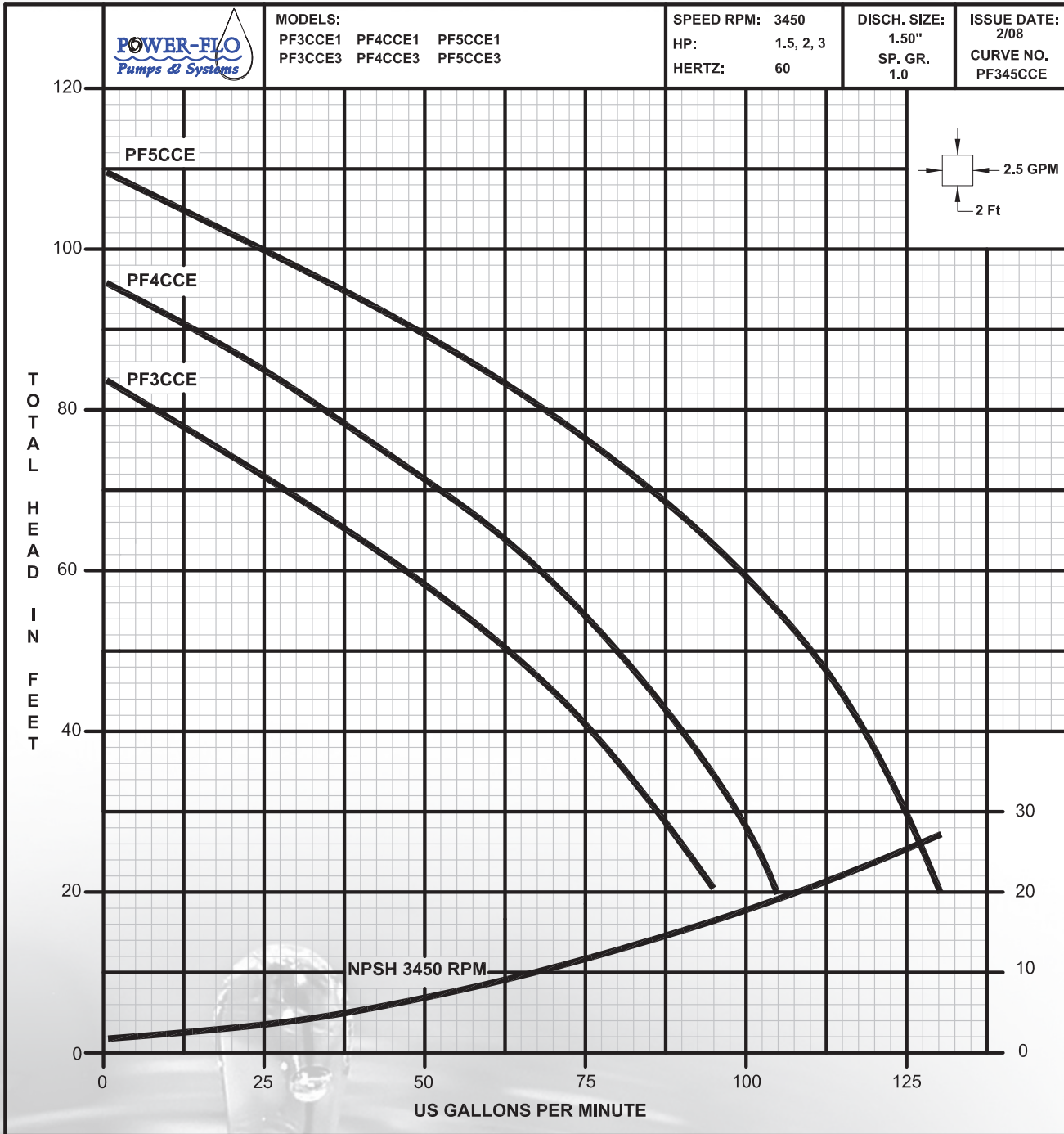
Models: PF3CCE, PF4CCE, PF5CCE



Model	HP	Enclosure	Volts Usable at 208	Phase	Hz	RPM	Full Load Amps*	L1 * inches	Weight lbs
PF3CCE1	1-1/2	ODP	115/230	1	60	3450	13/6.5	18.58	91
PF3CCE1-T	1-1/2	TEFC	115/230	1	60	3450	16.6/8.3	18.43	98
PF3CCE3	1-1/2	ODP	208-230/460	3	60	3450	5.5- 4.4/2.2	17.91	84
PF3CCE3-T	1-1/2	TEFC	208-230/460	3	60	3450	4.9 - 4.6/2.3	17.16	85
PF4CCE1	2	ODP	115/230	1	60	3450	26/13	17.93	101
PF4CCE1-T	2	TEFC	115/230	1	60	3450	23/11.5	19.31	112
PF4CCE3	2	ODP	208-230/460	3	60	3450	6.4-5.4/2.7	18.41	92
PF4CCE3-T	2	TEFC	208-230/460	3	60	3450	7.0-5.4/2.7	18.43	98
PF5CCE1	3	ODP	208-230	1	60	3450	13.9-13	18.81	105
PF5CCE1-T	3	TEFC	115/230	1	60	3450	26/13	20.68	117
PF5CCE3	3	ODP	208-230/460	3	60	3450	8.5-8/4	18.43	94
PF5CCE3-T	3	TEFC	208-230/460	3	60	3450	8.1-7.6/3.8	18.43	97

(\* Overall length of unit, weight and AMPS is subject to the Motor Manufacture.  
For Bronze Fitted add suffix (-BF for ODP or -TBF for TEFC) to model number. EXAMPLE: PF3CCE3-BF

Models: PF3CCE, PF4CCE, PF5CCE



Self-Priming Centrifugal Pumps - PFCCE - 1-1/2" x 1-1/2" NPT