

**Models: PFG2002HV, PFG2022HV, PFG2062HV, PFG2032HV,
PFG2042HV, PFG2002HH, PFG2022HH, PFG2062HH,
PFG2032HH, PFG2042HH**

Features:

Designed to reduce domestic, commercial, institutional and light industrial sewage to a finely ground slurry.

- **DISCHARGE:** 1-1/4" NPT Vertical Bolt-on Flange
- **LIQUID TEMPERATURE:** 160°F Intermittent
- **MOTOR HOUSING, VOLUTE & SEAL PLATE:** Cast Iron, Class 30
- **IMPELLER:** 12 vane, Vortex with pump out vanes on back side, Dynamically balanced, ISO G6.3, Bronze
- **SHREDDING RING & CUTTER:** Stainless steel
- **SHAFT & HARDWARE:** Stainless steel
- **PAINT:** Industrial Grade Powder Coating
- **SQUARE RINGS:** Buna-N
- **SEAL:** Tandem Double mechanical, , 7/8" inner, 3/4" outer, in Oil Filled reservoir, Carbon/Ceramic/Buna-N
- **UPPER BEARING:** Single row, ball, oil lubricated
- **INTERMEDIATE BEARING:** Single row, ball, oil lubricated
- **LOWER BEARING:** Sleeve, oil lubricated
- **POWER CORD:** 20 Ft., 12/4, SOW, Custom molded Cord.
Fast Disconnect Design
- **MOTOR:** Class B Insulation, Oil Filled, Squirrel cage induction
- **SINGLE PHASE:** Capacitor Start/Capacitor Run,
Requires starter or control panel which includes the capacitors. Includes overload protection in the motor.
- **THREE PHASE:** Dual Voltage 230/460.
- **WARRANTY:** 1 year



**Submersible Grinder
PFG
1-1/4" Discharge,
Double Seal**



MODEL	HP	Hz	Volts/ Ph	RPM	Full Load Amps	Locked Rotor Amps	NEMA Start Code	Cord Type	Cord Size	Cord O.D.	Simplex Control ‡	Duplex Control ‡
High Volume												
PFG2002HV	2	60	200/1	3450	17.0	53.0	F	SOW	12/4	.67	PF1021-C	PF2021-C
PFG2022HV	2	60	230/1	3450	15.0	53.8	H	SOW	12/4	.67	PF1023-C	PF2023-C
PFG2062HV	2	60	200/3	3450	11.0	42.0	J	SOW	12/4	.67	PF1022-O	PF2022-O
PFG2032HV	2	60	230/3	3450	9.0	36.0	J	SOW	12/4	.67	PF1024-O	PF2024-O
PFG2042HV	2	60	460/3	3450	4.0	18.0	J	SOW	12/4	.67	PF1025-O	PF2025-O
High Head												
PFG2002HH	2	60	200/1	3450	17.0	53.0	F	SOW	12/4	.67	PF1021-C	PF2021-C
PFG2022HH	2	60	230/1	3450	15.0	53.8	H	SOW	12/4	.67	PF1023-C	PF2023-C
PFG2062HH	2	60	200/3	3450	11.0	42.0	J	SOW	12/4	.67	PF1022-O	PF2022-O
PFG2032HH	2	60	230/3	3450	9.0	36.0	J	SOW	12/4	.67	PF1024-O	PF2024-O
PFG2042HH	2	60	460/3	3450	4.0	18.0	J	SOW	12/4	.67	PF1025-O	PF2025-O

IMPORTANT!

‡ Economy Panels: PS121-C, PF221-C, PF123-C, PF223-C

DO NOT introduce into any sewer, either directly, or through a kitchen waste disposal unit or toilet: *Seafood Shells, Aquarium Gravel, Cat Litter, Plastic Objects (toys, utensils, etc.), Sanitary Napkins or Tampons, Diapers, Rags, Disposable Wipes or Cloth, Medications, Flammable Material, Oil or Grease, Strong Chemicals, or Gasoline.*

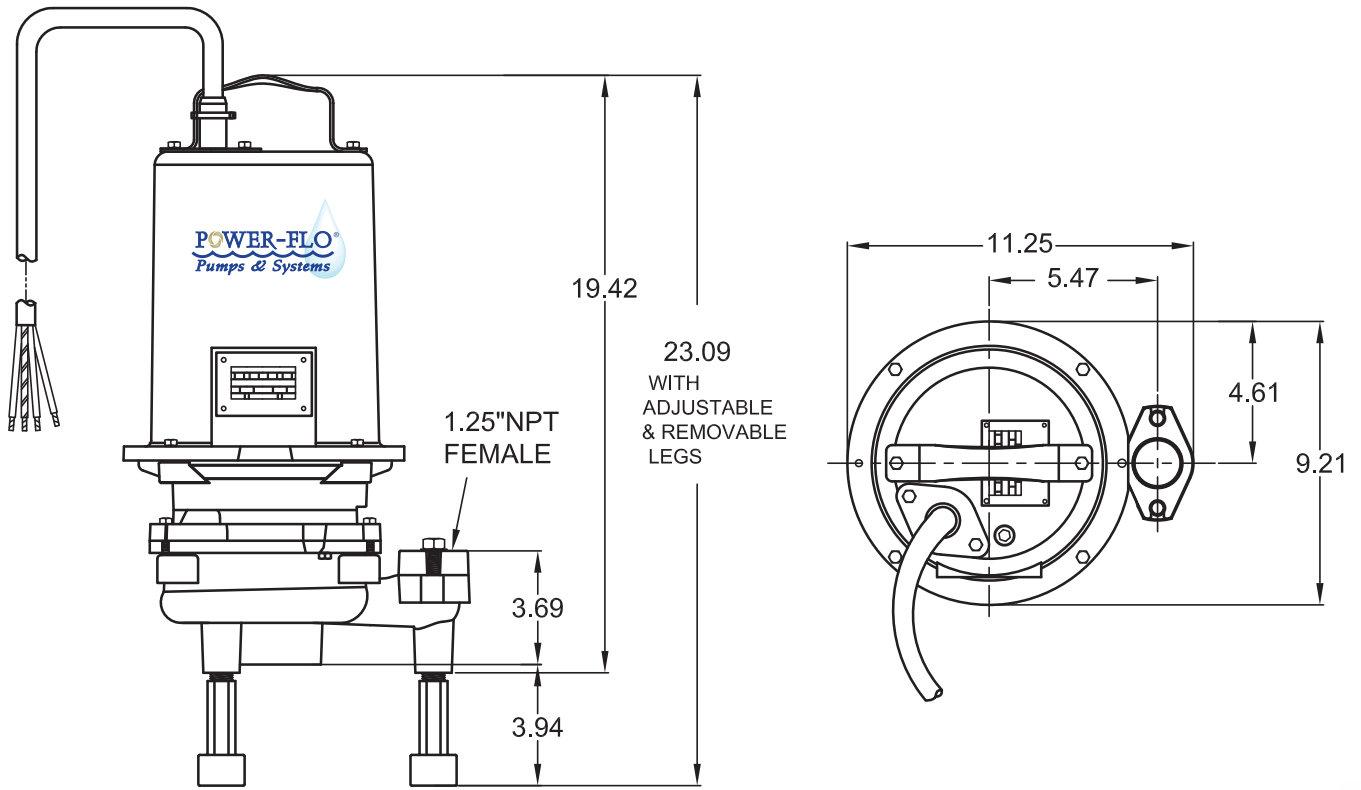
These pumps are not approved for use in swimming pools, recreational water parks, or installations where human contact with pumped media is a common occurrence.

Single phase models require **Capacitor/Relay Pack PF88243 for 200/1, or PF73306 for 230/1,** available for panels by others.



1-1/4" - Grinder Pumps - PFG - HV & HH - 2.HP - 3450RPM - 60HZ

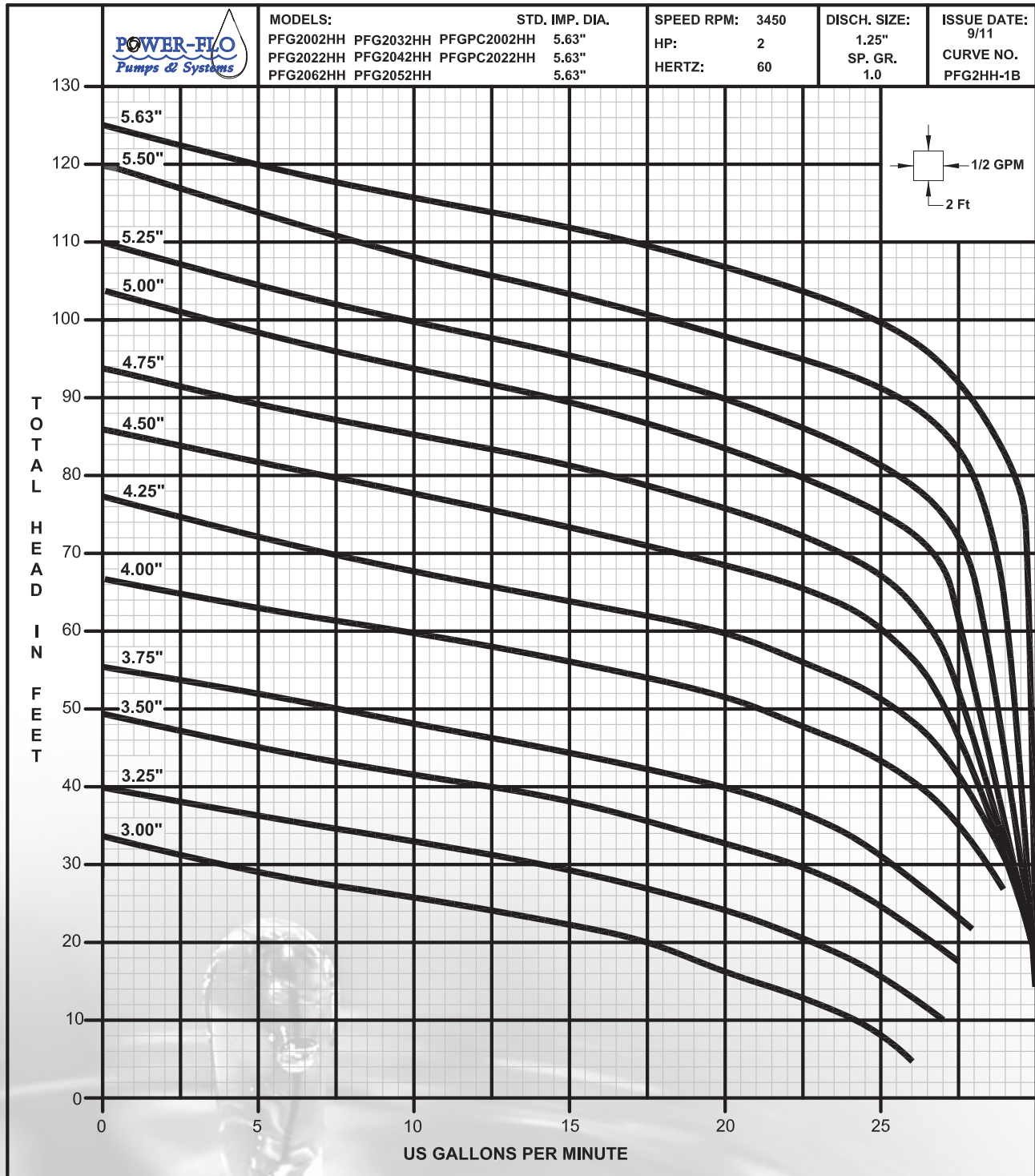
Models: PFG2002HV, PFG2022HV, PFG2062HV, PFG2032HV,
PFG2042HV, PFG2002HH, PFG2022HH, PFG2062HH,
PFG2032HH, PFG2042HH



IMPORTANT! - Pump Suction **MUST** be a minimum of 4" from basin floor with use of legs, stand or slide rail system. Remove legs when used with slide rail system.



Models: PFG2002HH, PFG2022HH, PFG2062HH,
PFG2032HH, PFG2042HH



1-1/4" - Grinder Pumps - PFG - HH - 2.HP - 3450RPM - 60HZ

Models: PFG2002HV, PFG2022HV, PFG2062HV, PFG2032HV,
PFG2042HV

1-1/4" - Grinder Pumps - PFG - HV - 2.HP - 3450RPM - 60HZ

