

Model: PFUT06

Features:

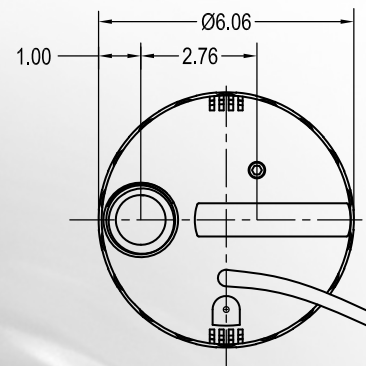
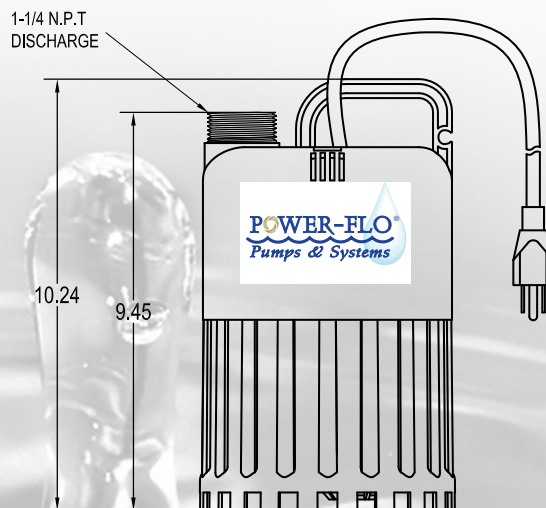
General purpose pump for residential, light industrial and commercial sump applications.

- **DISCHARGE:** 1-1/4" NPT, Male, Vertical
- **LIQUID TEMPERATURE:** 77°F Continuous
- **MOTOR HOUSING:** Thermoplastic
- **STRAINER:** Thermoplastic
- **IMPELLER:** 4 Vane, semi-open, Thermoplastic
- **SHAFT:** Steel
- **HARDWARE:** Stainless steel
- **O-RINGS:** Buna-N
- **SEAL:** Single mechanical, Type 6, Carbon/Ceramic/Buna-N
- **UPPER BEARING:** Single row, ball, oil lubricated
- **LOWER BEARING:** Single row, ball, oil lubricated
- **POWER CORD:** SJTW, Cord, with plug. 15ft long
- **MOTOR:** Class B Insulation, Air Filled
- **SINGLE PHASE:** Permanent Split Capacitor (PSC), Includes overload protection in motor

MODEL	HP	Hz	Volts/Ph	RPM	Full Load Amps	Weight
PFUT06	1/6	60	115/1	3450	2.0	8 lbs



**Submersible Utility Pump
1-1/4" Discharge,
1/8" Spherical Solids
Manual Operation**



Sump & Utility Pumps - 1/6HP - 3450RPM - 60Hz

Model: PFUT06

Sump & Utility Pumps - 1/6HP - 3450RPM - 60Hz

