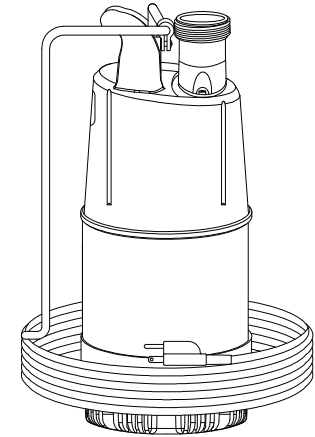


Sump & Utility Pumps

- DISCHARGE2" NPT, Male, Vertical
- MOTOR SHELLStainless Steel
- VOLUTENon-Metallic
- IMPELLERNon-Metallic
- SHAFT420 Stainless Steel
- HARDWARE300 Series Stainless Steel
- SEAL: *Design*Double Mechanical, Oil Filled Reservoir
- Material: Stationary Face*.....Silicon/Carbide, Pump End
Ceramic, Motor End
- Rotating Face*.....Carbon
- Elastomer*Buna-N
- Hardware*300 Series Stainless
- CORD ENTRY50 ft. (15m) Cord with plug on 120 Volt Models. Molded for strain relief and compression seal
- MOTOR: *Design*NEMA Design L - Single Phase. Completely Air-Filled, Squirrel Cage Induction
- SINGLE PHASE.....Capacitor Start and Run. Includes Overload Protection in Motor
- STRAINER25" (6mm) Openings, Non-Metallic, Rubberized
- LIFTING HANDLE.....Non-Metallic
- LIFTING ROPE3/8" (9.7mm) Polypropylene, 25 ft. (7.6m)



Series: 70, 71, 125, 126 .7 & 1.25HP, 3450RPM, 60Hz

DESCRIPTION:

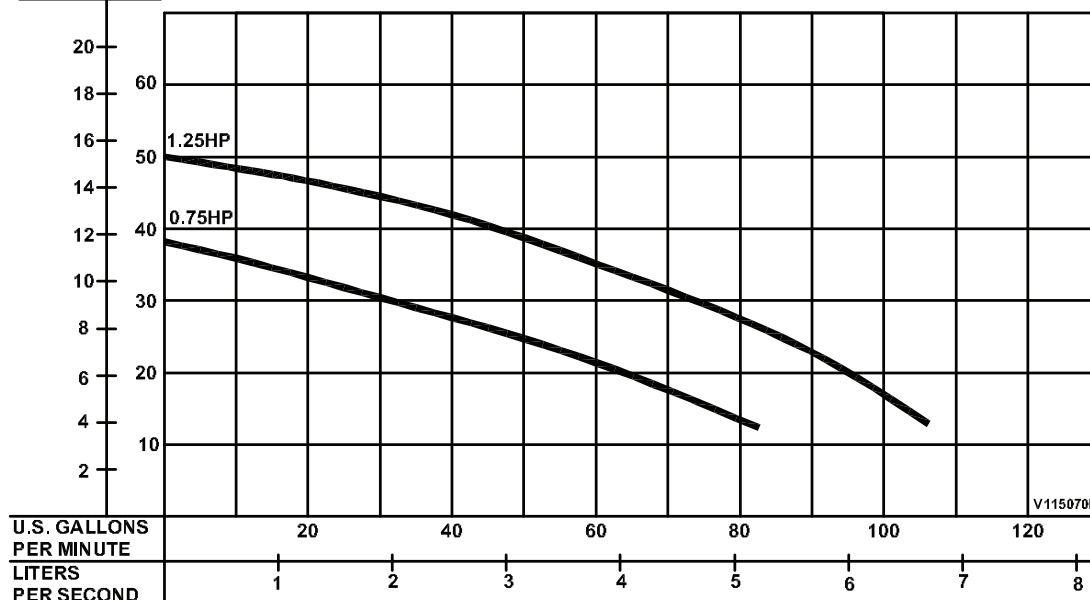
The pumps are compact, lightweight units and highly portable. Designed specifically for use by contractors and utility service personnel. These pumps can operate in up to 104°F (40°C) temperature water. Before pumping fluids other than water consult the factory, giving fluid, fluid temperature, specific gravity, viscosity, capacity in USGPM and total head and/or pressure requirements, including friction loss through discharge line, fittings, valves, etc.



WARNING:

CANCER AND REPRODUCTIVE HARM -
WWW.P65WARNINGS.CA.GOV

TOTAL HEAD
METERS FEET



Testing is performed with water specific gravity of 1.0 @ 68°F (20°C), other fluids may vary performance

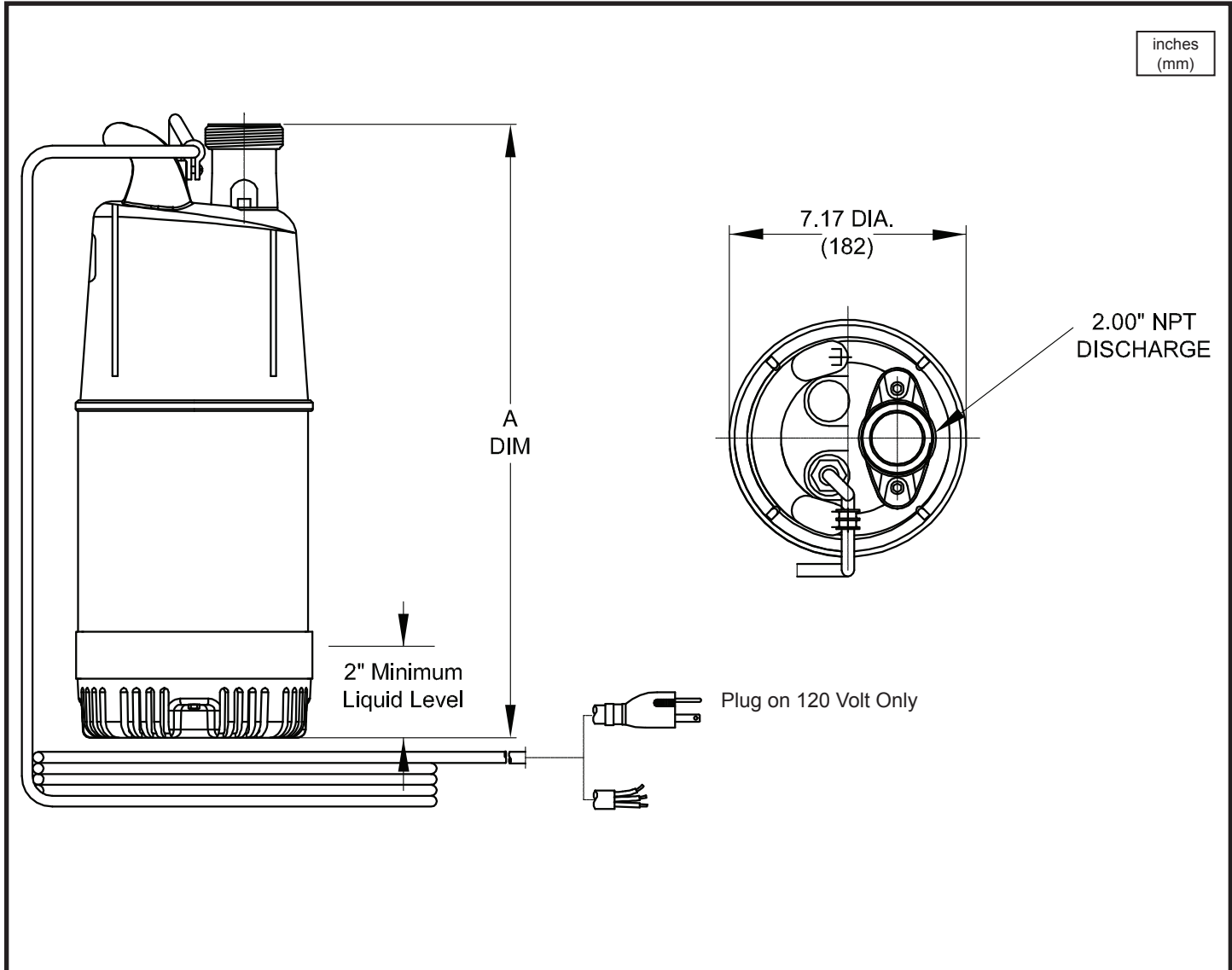
Series 70, 71, 125, 126

2" NPT Male Discharge

BARNES®

www.cranepumps.com

Sump & Utility Pumps



MODEL NO	PART NO	A DIM inch (mm)	HP	VOLT/PH	Hz	RPM (Nom)	FULL LOAD AMPS	PUMP WEIGHT
70	115070	17.76 (451)	0.7	120/1	60	3450	8.0	30 lbs (13.6kg)
71	115071	17.76 (451)	0.7	240/1	60	3450	4.0	30 lbs (13.6kg)
125	115125	18.54 (471)	1.25	120/1	60	3450	15.0	35 lbs (15.9kg)
126	115126	18.54 (471)	1.25	240/1	60	3450	7.6	35 lbs (15.9kg)

Pump rated for operation at ± 10% voltage at motor.

IMPORTANT !

- 1.) PUMP MAY BE OPERATED "DRY" FOR EXTENDED PERIODS WITHOUT DAMAGE TO MOTOR AND/OR SEALS.
- 2.) INSTALLATIONS SUCH AS DECORATIVE FOUNTAINS OR WATER FEATURES PROVIDED FOR VISUAL ENJOYMENT MUST BE INSTALLED IN ACCORDANCE WITH THE NATIONAL ELECTRIC CODE ANSI/NFPA 70 AND/OR THE AUTHORITY HAVING JURISDICTION. THIS PUMP IS NOT INTENDED FOR USE IN SWIMMING POOLS, RECREATIONAL WATER PARKS, OR INSTALLATIONS IN WHICH HUMAN CONTACT WITH PUMPED MEDIA IS A COMMON OCCURRENCE.

SECTION 1A
PAGE 34
DATE 1/13

CRANE®

A Crane Co. Company

PUMPS & SYSTEMS

USA: (937) 778-8947 • Canada: (905) 457-6223 • International: (937) 615-3598