

Submersible Dewatering Pumps

DISCHARGE CASE	356T6 Aluminum, Hard Anodized
DIFFUSER	356T6 Aluminum, Hard Anodized
SUCTION CASE	356T6 Aluminum, Hard Anodized, with wear resistant polyurethane liner
FRAME & OUTER CASE	6063T6 Aluminum, Hard Anodized
PUMP SHAFT	Stainless Steel
IMPELLER	Polyurethane
HARDWARE	Stainless Steel
O-RINGS	Buna-N
SEAL Design	Tandem mechanical, Oil lubricated
<i>Material</i>	Rotating Face - Carbon Stationary Face - Ceramic Elastomer - Buna-N Hardware - 300 Series Stainless
STRAINER	300 series stainless steel, .25"(6.35mm) Holes
UPPER BEARING:	
<i>Design</i>	Single Row, Shielded, Ball
<i>Lubrication</i>	Prelubricated high-temperature grease
<i>Load</i>	Radial
LOWER BEARING:	
<i>Design</i>	Single Row, Shielded, Ball
<i>Lubrication</i>	Prelubricated high-temperature grease
<i>Load</i>	Radial & Thrust
CORD ENTRY25Ft. (7.6m) with Strain Relief and Pressure Grommet for Sealing
MOTOR: <i>Design</i>	NEMA Design L-Single Phase, NEMA Design B-Three Phase Squirrel Cage Induction
<i>Insulation</i>	Class F
CONTROL: <i>Single Phase</i>	Watertight, NEMA 4. Provides overload and short circuit protection, Start & Run Capacitors, ON-OFF Switch. Six foot power cord from control to cord plug, with 3 prong plug on 115 and 230 volt models
<i>Three Phase</i>	Rainproof, NEMA 3R, Provides with Circuit Breaker for overload and short circuit protection
OPTIONAL EQUIPMENT	Watertight, NEMA 4 Control For 3 Phase Pumps. Discharge Adapters, Aluminum Mushroom Strainer, Sludge Strainer, to pump water level to within .25" (6mm) of level floor, Viton® Seals, Stainless Steel Impeller and Lift Cord. See accessory section for additional information.

50HZ DATA AVAILABLE UPON REQUEST

WARRANTY INVALID IF CORRECT PROSSER CONTROL IS NOT USED AT ALL TIMES.

WEIGHT

Pump Only - 23 lbs./ 10.4 kg.
Control 1Ph - 8 lbs./ 3.6 kg.
Control 3Ph - 12 lbs./ 5.4 kg.
Cord - .21 lbs/Ft / .31kg/m

SHIPPING WT./STD. UNIT

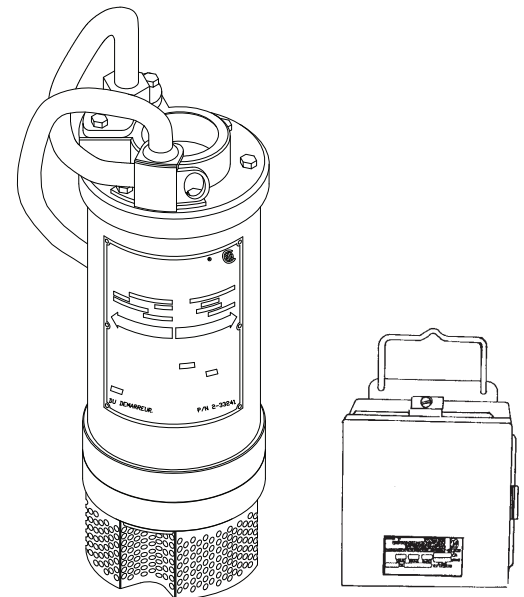
Pump, Cord & Control
Domestic 1Ph - 37 lbs. / 16.8 kg
Domestic 3Ph - 40 lbs. / 18.1 kg
Export - 54-60 lbs. / 1.7 Cu. Ft.



ASSOCIATION OF
EQUIPMENT
MANUFACTURERS



CSA 108
UL 778
LR16567



**Series: 9-01000, 0.75HP
9-01300, 1.0HP**

DESCRIPTION:

Prosser's small but powerful Portable Electric Submersible Pumps are compact, lightweight units. They are quiet and will operate in any position. No priming, suction hose or foot valves are required. Prosser pumps can be easily staged for higher head applications.

The unique in-line design assures a cool running motor with heat transferred to the pumped liquid. Prosser pumps can operate continuously in 104°F (40°C) temperature water and within a range of 5 to 9PH.

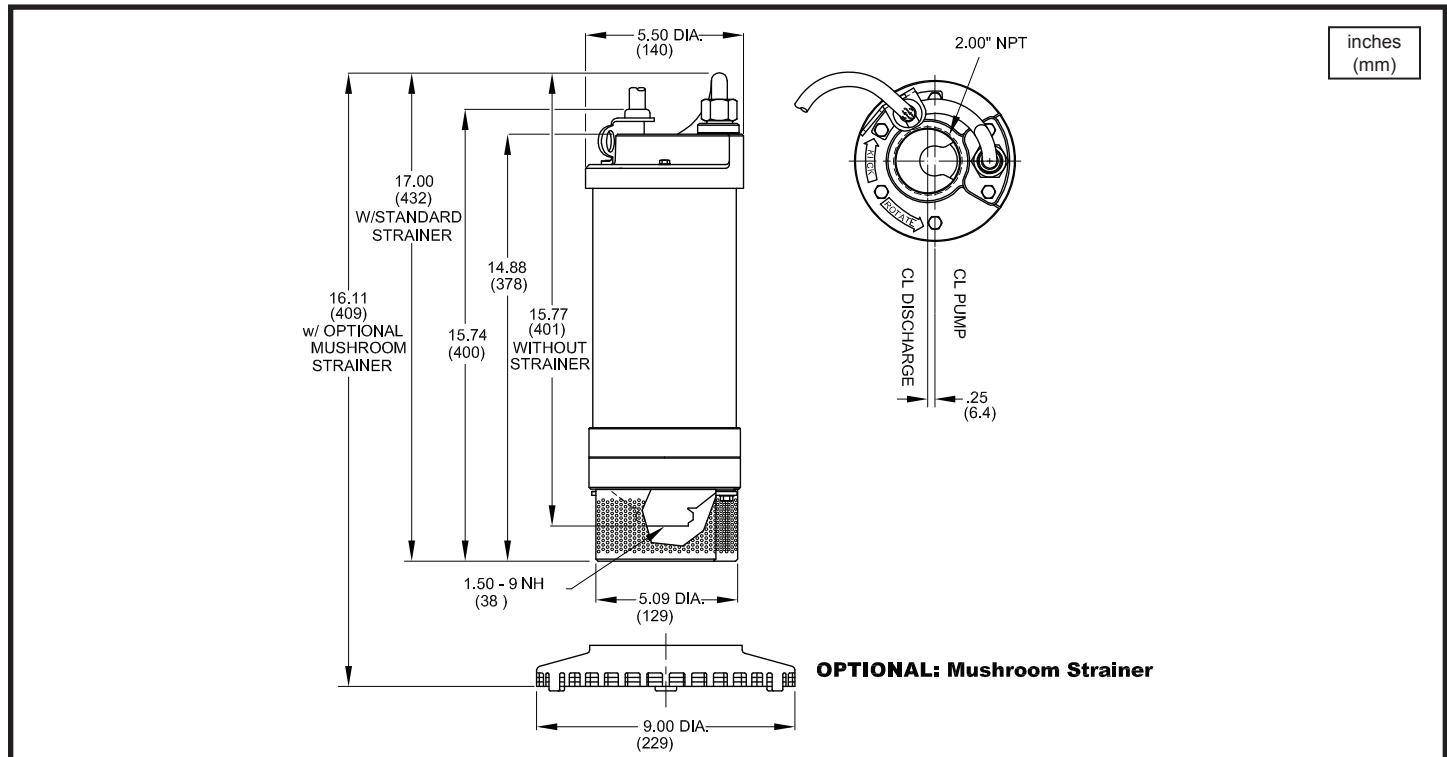
Before pumping fluids other than water consult the factory, giving fluid, fluid temperature, specific gravity, viscosity, capacity in USGPM and total head and/or pressure requirements, including friction loss through discharge line, fittings, valves, etc.



WARNING:

CANCER AND REPRODUCTIVE HARM -
WWW.P65WARNINGS.CA.GOV

Submersible Dewatering Pumps



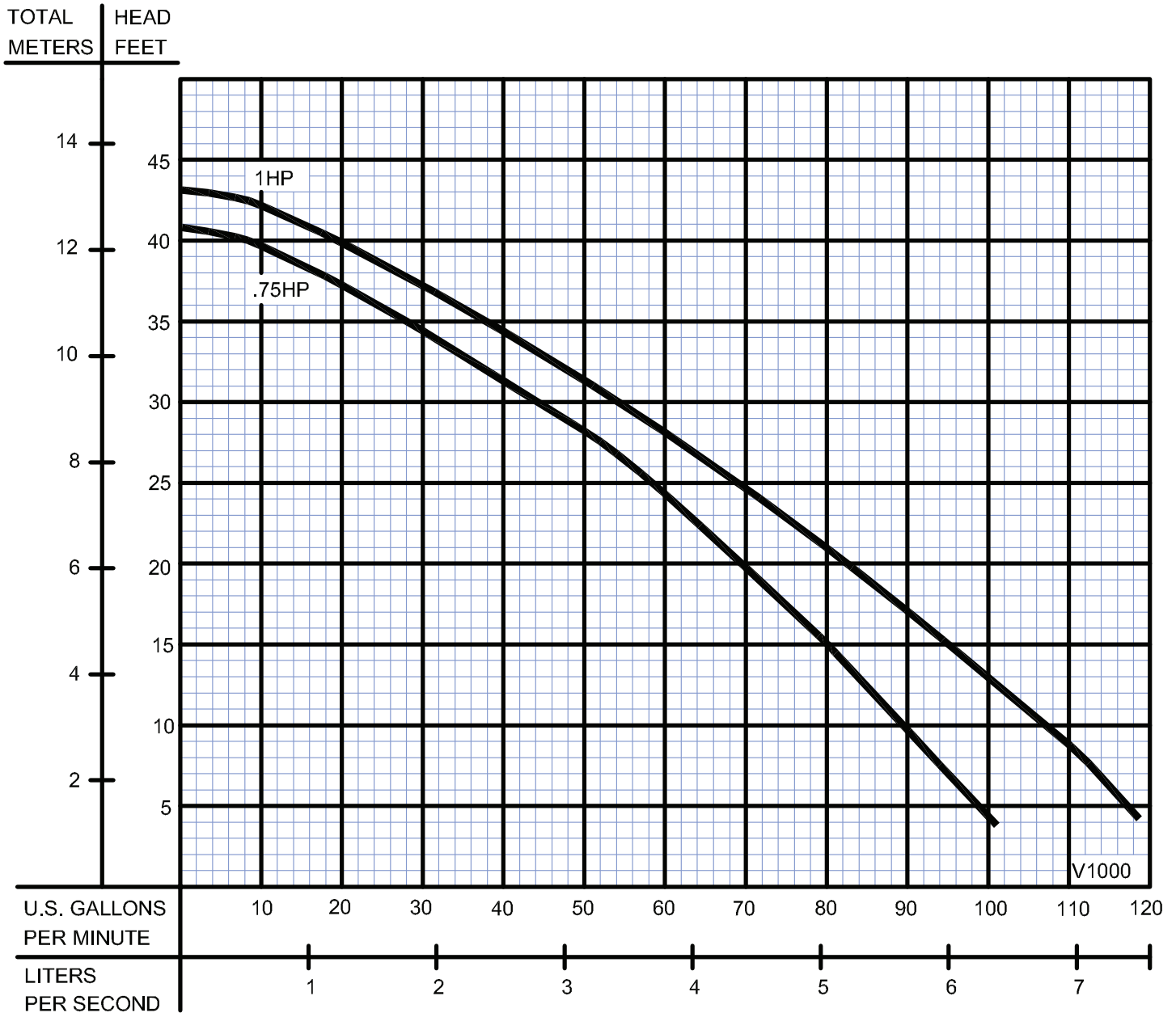
PART NO.	HP	VOLT/PH	Hz	RPM (Nom.)	NEMA START CODE	FULL LOAD AMPS	LOCKED ROTOR AMPS	CORD SIZE	CORD TYPE	MAX. CORD LENGTH
PUMP w/WATERTIGHT CONTROL										
9-01011-28FK	.75	115/1	60	3450	G	11.0	36.2	14/4	SOW	100Ft./30.5m
9-01012-28FK	.75	230/1	60	3450	G	5.8	18.1	14/4	SOW	375Ft./114.3m
9-01032-24FK	.75	230/3	60	3450	J	3.6	15.0	14/4	SOW	715Ft./217.9m
9-01034-24FK	.75	460/3	60	3450	J	1.8	7.5	14/4	SOW	2860Ft./871.7m
9-01035-24FK	.75	575/3	60	3450	K	1.4	6.2	14/4	SOW	4595Ft./1400.5m
9-01311-28FK	1.0	115/1	60	3450	D	12.0	36.2	14/4	SOW	90Ft./27.4m
9-01312-28FK	1.0	230/1	60	3450	D	6.7	18.1	14/4	SOW	325Ft./99.1m
9-01332-24FK	1.0	230/3	60	3450	G	3.8	15.0	14/4	SOW	675Ft./205.7m
9-01334-24FK	1.0	460/3	60	3450	G	1.9	7.5	14/4	SOW	2705Ft./824.4m
9-01335-24FK	1.0	575/3	60	3450	G	1.5	6.2	14/4	SOW	4290Ft./1307.5m
PUMP w/RAINPROOF CONTROL										
9-01032-23FK	.75	230/3	60	3450	J	3.6	15.0	14/4	SOW	715Ft./217.9m
9-01034-23FK	.75	460/3	60	3450	J	1.8	7.5	14/4	SOW	2860Ft./871.7m
9-01035-23FK	.75	575/3	60	3450	K	1.4	6.2	14/4	SOW	4595Ft./1400.5m
9-01332-23FK	1.0	230/3	60	3450	G	3.8	15.0	14/4	SOW	675Ft./205.7m
9-01334-23FK	1.0	460/3	60	3450	G	1.9	7.5	14/4	SOW	2705Ft./824.4m
9-01335-23FK	1.0	575/3	60	3450	G	1.5	6.2	14/4	SOW	4290Ft./1307.5m

Pump rated for operation at ± 10% voltage at motor.

IMPORTANT !

- PUMP MAY BE OPERATED "DRY" FOR EXTENDED PERIODS WITHOUT DAMAGE TO MOTOR AND/OR SEALS.
- INSTALLATIONS SUCH AS DECORATIVE FOUNTAINS OR WATER FEATURES PROVIDED FOR VISUAL ENJOYMENT MUST BE INSTALLED IN ACCORDANCE WITH THE NATIONAL ELECTRIC CODE ANSI/NFPA 70 AND/OR THE AUTHORITY HAVING JURISDICTION. THIS PUMP IS NOT INTENDED FOR USE IN SWIMMING POOLS, RECREATIONAL WATER PARKS, OR INSTALLATIONS IN WHICH HUMAN CONTACT WITH PUMPED MEDIA IS A COMMON OCCURRENCE.

Submersible Dewatering Pumps

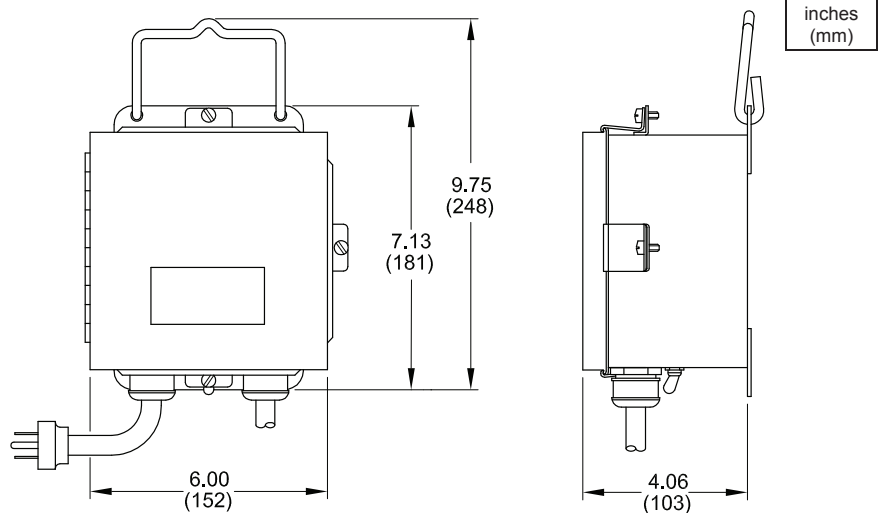


Testing is performed with water, specific gravity 1.0 @ 68° F @ (20°C), other fluids may vary performance

Submersible Dewatering Pumps

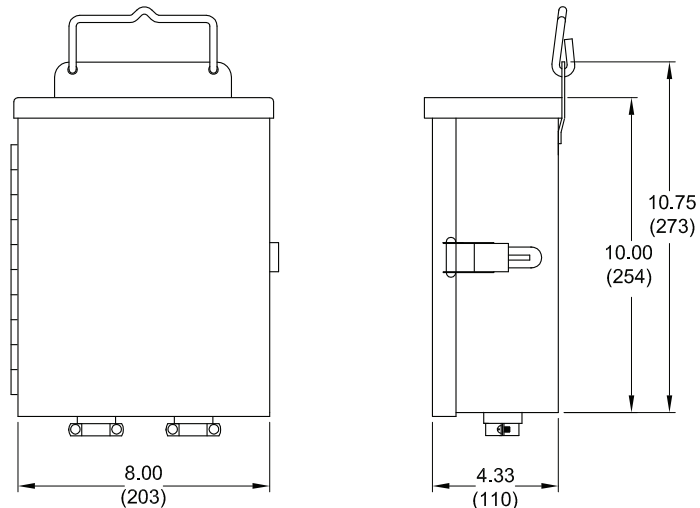
SINGLE PHASE CONTROL NEMA 4, WATERTIGHT

Pump P/N:	Control P/N
9-01011-28FK	9-101811-02
9-01012-28FK	9-101812-02
9-01311-28FK	9-101811-02
9-01312-28FK	9-101812-02



THREE PHASE CONTROL NEMA 3R, RAINPROOF

Pump P/N:	Control P/N
9-01032-23FK	9-075832-13
9-01034-23FK	9-100834-13
9-01035-23FK	9-100835-13
9-01332-23FK	9-100832-13
9-01334-23FK	9-100834-13
9-01335-23FK	9-100835-13



THREE PHASE CONTROL NEMA 4, WATERTIGHT

Pump P/N:	Control P/N
9-01032-24FK	9-075832-04
9-01034-24FK	9-100834-04
9-01035-24FK	9-100835-04
9-01332-24FK	9-100832-04
9-01334-24FK	9-100834-04
9-01335-24FK	9-100835-04

