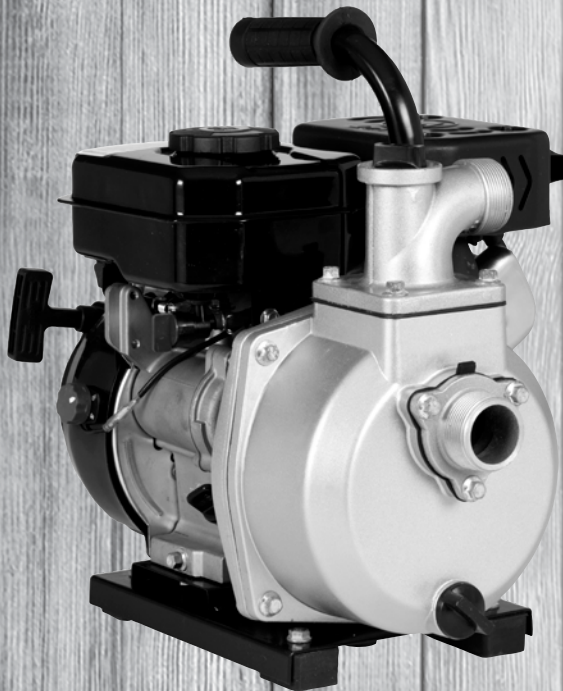




RED LION®

EN ENGLISH



ENGINE-DRIVEN ALUMINUM WATER PUMP

Owner's Manual

Table Of Contents

Safety Instructions.....	2
Introduction.....	4
Application.....	4
Specifications.....	4
Pump Placement.....	5
Operation.....	5
Maintenance.....	7
Cleaning.....	7
Draining the Pump.....	8
Transporting the Pump.....	8
Storage.....	8
Troubleshooting.....	9
Replacement Parts.....	10
Limited Warranty.....	11

SAFETY INSTRUCTIONS

Hazard Messages

This manual includes safety precautions and other important information in the following formats:

DANGER

Indicates an imminently hazardous situation which, if not avoided, will result in death or serious injury.

WARNING

Indicates a potentially hazardous situation which, if not avoided, could result in death or serious injury.

CAUTION

Indicates a potentially hazardous situation which, if not avoided, could result in minor or moderate personal injury.

NOTICE

Indicates a potentially hazardous situation which, if not avoided could result in damage to equipment or other property.

IMPORTANT: Identifies information that controls correct assembly and operation of the product.

NOTE: Identifies helpful or clarifying information.



This symbol alerts the user to the presence of dangerous voltage inside the product that might cause harm or electrical shock.



This symbol alerts the user to the presence of hot surfaces that might cause fire or personal injury.

Before Getting Started

This equipment should be installed and serviced by technically qualified personnel. Failure to comply with national and local electrical codes and within Red Lion recommendations may result in electrical shock or fire hazard, unsatisfactory performance, or equipment failure.

This product includes an owner's manual from the pump manufacturer and an owner's manual from the engine manufacturer. Read and follow instructions carefully to avoid injury and property damage. Do not disassemble or repair unit unless described in this manual. If either manual was not provided, do not install or operate the product until a replacement manual has been obtained and carefully read.

Refer to product data plate(s) for additional operating instructions and specifications.

Failure to follow installation/operation procedures and all applicable codes may result in the following hazards:

DANGER

Risk of death, personal injury, or property damage.

- Do not use to pump flammable or explosive fluids such as gasoline, fuel oil, kerosene, etc.
- Do not use in explosive atmospheres or hazardous locations as classified by the NEC, ANSI/NFPA70.
- When operating, the engine on this pump produces carbon monoxide, an odorless, colorless, poisonous gas that can cause asphyxiation and kill you in minutes. Breathing carbon monoxide can cause nausea, fainting, or death. Operate this pump ONLY outdoors in a well-ventilated area. Do not operate the pump inside any building, confined area such as a tunnel or trench, or enclosed area such as basement, garage, or similar locations, even if doors and windows are open.

CAUTION

Risk of bodily injury or equipment damage.

- This equipment must not be used by children or persons with reduced physical, sensory or mental abilities, or lacking in experience and expertise, unless supervised or instructed. Children may not use the equipment, nor may they play with the unit or in the immediate vicinity.
- Do not use this pump for pumping any liquid intended for human consumption.
- Operation of this equipment requires detailed installation and operation instructions provided in this manual for use with this product.
- Read entire manual before starting installation and operation.
- Keep work area clean, well-lit, and uncluttered.
- Keep safety labels clean and in good condition.
- Do not wear loose clothing, jewelry, or anything that may be caught in the rotating parts. Tie up long hair and remove jewelry.
- Wear the following Personal Protective Equipment (PPE) while installing, operating or servicing this pump:
 - Close-fitting work clothes that do not hinder movement
 - Safety glasses with side shields
 - Hearing protection
 - Safety-toed footwear.

Product Specific Precautions

Rental companies and private owners who rent or lend this pump to others: All persons to whom you rent or lend this pump must have access to and read the product's owner's manuals. Keep the manuals with the pump at all times and advise all persons who will operate the pump to read them. You must also provide personal instruction on how to safely operate the pump, and you must be available to answer any questions that the renter or borrower might have.

⚠ WARNING

Risk of severe injury or death.

- Internal combustion engines present special hazards during operation and fueling. Failure to follow all the warnings and safety guidelines could result in severe injury or death. Refer to and follow all instructions in the engine manufacturer's owner's manual as well as all instructions in this manual.
- Do not attempt to start the engine with the spark plug removed. Unintentional sparking can result in fire or electric shock. Ensure that the spark plug, muffler, fuel cap, and air cleaner are in place.
- Do not use in mobile equipment or marine applications.
- If fuel is spilled, avoid starting engine or creating any source of ignition until the fuel evaporates or is cleaned up and any fuel vapors have dissipated.

⚠ CAUTION

Risk of bodily injury or equipment damage.

- Rapid retraction (kickback) of the starter cord can pull your hand and arm toward the engine faster than you can let go. Broken bones, fractures, bruises, or sprains could result. To minimize the occurrence of kickback, pull the starter cord slowly until resistance is felt, then pull rapidly to start the engine.
- Do not use this pump for pumping any liquid intended for human consumption.
- Do not modify the pump in any way. Use the pump only for its intended uses.
- Avoid hot exhaust gases and do not touch hot surfaces.
- Do not tip the pump at an angle that causes fuel to spill.
- Never start or operate a pump known or suspected to be damaged, defective or malfunctioning.

NOTICE

Risk of damage to equipment or other property.

- Code of Federal Regulation (CFR) Title 36 Parks, Forests, and Public Property require equipment powered by an internal combustion engine to have a spark arrester, maintained in effective working order, complying to USDA Forest service standard 5100-1C or later revision. In the State of California, a spark arrester is required under section 4442 of the California Public resources code. Other states may have similar laws.
- Do not use this pump for pumping sea water, beverages, acids, chemical solutions, or any other liquid that promotes corrosion as this can result in damage to the pump.

INTRODUCTION

This is an engine-driven transfer pump for use in general de-watering applications and is suitable for pumping clear water. Do not use the pump in applications where sewage or any other debris (gravel, sand, floating debris, etc.) or corrosives are present.

This instruction sheet provides you with the information required to safely own and operate your product. Retain these instructions for future reference. The product you have purchased is of the highest quality workmanship and material, and has been engineered to give you long and reliable service. This product has been carefully tested, inspected, and packaged to ensure safe delivery and operation. Please examine your item(s) carefully to ensure that no damage occurred during shipment. If damage has occurred, please contact the place of purchase. They will assist you in replacement or repair, if required.

APPLICATION

Use this pump for water only, where the vertical suction head from the water level is 25 ft (8m) or less. Do not exceed the maximum suction head. Head refers to the height of a column of water that can be delivered by the discharge of the pump (Figure 1). Suction head (or suction lift) is the vertical distance between the center of the pump and the surface of the liquid on the suction side of the pump. Discharge head is the vertical distance between the pump's discharge port and the point of discharge. Total head is the sum of the suction head and the discharge head. The elevation above sea level and friction losses must be taken into consideration.

SPECIFICATIONS

Model	2RLAG-1L
Engine	Air Cooled, 4 Stroke, OHV, 79cc
Performance	2.1 HP @ 3600 rpm
Fuel Type	Refer to engine manufacturer's owner's manual
Oil Type	Refer to engine manufacturer's owner's manual
Shut Off	79 ft (24.1 m)
Suction head (max.)	25 ft (7.6 m)
Intake Size	1.5" MNPT (3.8 cm)
Discharge Size	1.5" MNPT (3.8 cm)
Maximum Flow	60 GPM (227 LPM)
Weight	43 Lb (19.5 kg)
Height	17.75" (45.1 cm)
Width	14" (35.6 cm)
Length	20.75" (52.7 cm)

PUMP PLACEMENT

⚠ CAUTION

Risk of injury or property damage from fire.

- The pump must be at least 5 feet from structures having combustible walls and/or other combustible materials such as leaves, grass, and brush.
- Reflective exhaust heat may damage the fuel tank, causing fire. Keep at least 3 feet of clearance on all sides of the pump for adequate cooling, maintenance, and servicing.

1. Locate the pump outdoors in a well-ventilated place on a flat, level surface.
2. Place pump on a rigid, level foundation to prevent the pump from tipping, rolling, sliding or creeping while operating. If the pump is not stable, the weight of liquid-filled hoses could cause the unit to tip over.
3. Use a non-collapsible hose on the suction side of the pump and keep the suction hose as short as possible. A collapsed, kinked, obstructed or long suction hose will reduce priming and pumping performance, and may contribute to loss of prime which can cause pump overheating.
4. Use a suction hose the same size as the suction port on the pump. If the suction hose is long, increase it by one size to improve flow.
5. Slope the suction hose upwards to the pump to avoid air pockets in the hose and hard priming.
6. If the suction hose is oriented vertically, use an elbow on the suction hose-to-pump connection to prevent kinking.
7. Keep the discharge hose as short as possible to allow the pump to have the greatest output.
8. Use thread compound on all pipe joints and double clamps on all hose joints. Connections must be air-tight.
9. A strainer basket must be installed on the end of the suction hose to filter debris and abrasives. Never operate the pump without the strainer basket installed.
10. Position the end of the discharge hose where you want to discharge water to be pumped. Secure/anchor the discharge hose to avoid whipping.

IMPORTANT: One of the main causes of pumping problems is a leak in the suction line. Even a very small leak will reduce priming and pumping performance greatly.

OPERATION

Preparing the Engine

Refer to and follow the engine manufacturer's instructions for preparing the engine before operating, for example oil level, air filter, fuel level, etc.

⚠ WARNING

Risk of severe injury or death.

- Fuel and its vapors are extremely flammable and explosive. Fire or explosions can cause severe burns or death. Do not add fuel indoors. Do not add fuel when the engine is running or hot. Do not light cigarettes or smoke when adding fuel. Keep fuel away from furnaces, stoves, water heaters, clothes dryers, or other appliances that have a pilot light or other ignition source (heat, flame, sparks, lit cigarette, etc.) because they can ignite fuel vapors.
- When adding fuel, ensure that the pump is outdoors on a flat, level surface. Do not add fuel to pump while indoors. Turn the pump OFF and let it cool at least 2 minutes before removing the fuel cap. Loosen the cap slowly to relieve pressure in tank. Refer to the engine manufacturer's instructions for recommended fuel type and proper procedure for adding fuel.
- If fuel is spilled, avoid starting engine or creating any source of ignition until the fuel evaporates or is cleaned up and any fuel vapors have dissipated.

NOTICE

Risk of damage to equipment.

- Do not attempt to start the engine before it has been filled properly with the recommended type and amount of oil. Failure to follow these instructions will void the warranty and cause damage to the engine. Refer to the engine manufacturer's instructions for oil type and proper procedure for adding oil. Check the engine oil level before every use and add as needed.

Priming the Pump

NOTICE

Risk of damage to equipment.

- Do not operate the pump without priming it. Water is required to lubricate the pump seal. Operating the pump dry will permanently damage the pump seal. Be sure pump housing is completely filled with water before starting the engine.

1. Remove the priming plug.
2. Fill the pump housing completely with water.
3. Replace the priming plug and tighten securely.

NOTE: If the pump is below the level of the water that will be pumped (flooded suction), the pump will automatically fill up when the valves are open.

Operating the Pump

NOTICE

Risk of damage to equipment.

- Do not allow this pump to operate unattended. If you leave the pump for any reason, always turn the engine off.
- Do not allow vehicles to drive over suction or discharge hoses. If a hose must be positioned across a roadway, use planking on each side of the hose to protect the hose and allow vehicles to pass over without obstructing or collapsing hose. Driving over an unprotected discharge hose while pump is operating may cause damage to pump housing.

1. Ensure that the pump is on a flat, level surface.
2. Do not block or restrict inlet or discharge hoses. Remove kinks from inlet and discharge hoses before starting pump. Operation with a blocked inlet or discharge hose can cause water inside pump to overheat.
3. Refer to the engine manufacturer's instructions for proper procedure for starting and stopping the engine.
4. In a flooded suction situation, the pump will discharge water almost immediately. If the suction hose is above the water level being pumped, it will take a few minutes to lift the water to the pump housing and then to discharge it. If the suction hose is long, the pump may overheat before the water in the suction hose reaches the pump. If this occurs:
 - a) Turn the engine off and remove the drain plug and priming plug to drain the pump housing.
 - b) Wait a few minutes for the seal in the pump housing to cool. If the overheated housing is filled while hot, damage to the seal will occur.
 - c) Replace the drain plug and refill the housing with water.
 - d) Replace the priming plug and tighten securely.
 - e) Restart the engine following the engine manufacturer's instructions.
5. If the pump does not perform as specified, check the Installation, Maintenance and Troubleshooting sections carefully.
6. When finished pumping, turn off the engine following the engine manufacturer's instructions.
7. Allow unit to cool completely.
8. After cooling, remove the priming plug and drain plug from the pump housing and allow it to drain completely.

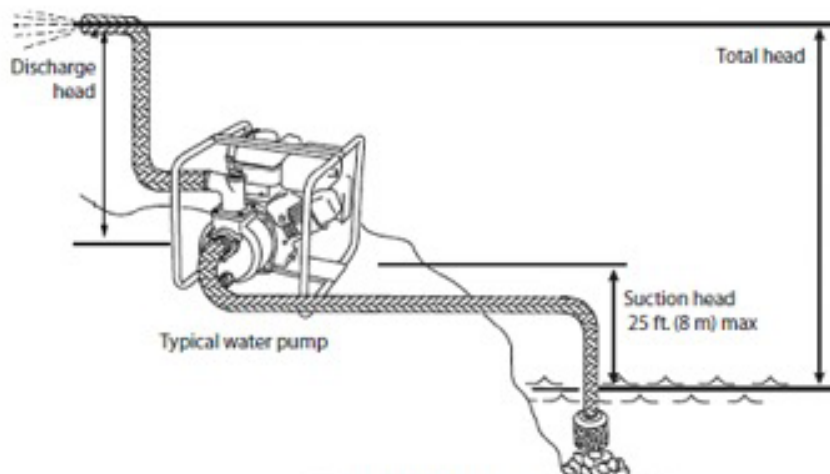


FIGURE 1

MAINTENANCE

⚠ WARNING

Risk of severe injury or property damage from fire or projectiles.

- Never start or operate a pump known or suspected to be damaged, defective or malfunctioning.
- Do not make adjustments or repairs to the pump or engine while engine is operating.
- Complete all scheduled maintenance in a timely manner per the manufacturer's recommendations. Correct any issues before operating the pump. Improper maintenance will void the pump's warranty.

Preventative maintenance and a pre-operation inspection is to be performed before each use by knowledgeable, experienced owners or certified service dealers.

A poorly maintained pump can become a safety hazard! For the pump to operate safely and properly throughout its product lifecycle, periodic maintenance and occasional repairs are necessary.

1. Refer to and follow instructions in the engine manufacturer's owner's manual for recommended engine maintenance.
2. Turn engine off.
3. Allow unit to cool completely.
4. To prevent accidental starting, remove and ground the spark plug wire before performing any service.
5. Check for any loose nuts, bolts, and attachments and retighten as required.
6. Check the engine, pump and its components for damage. If there is visible damage, do not operate the engine or pump! Contact the engine or pump manufacturer immediately for assistance.
7. Check the engine for oil and/or fuel leaks. If a leak is found, do not operate the engine! Contact the engine manufacturer immediately for assistance.
8. Inspect for water leaks between pump and engine as well as all other sealing interfaces and have serviced as required. If water is leaking, the seal inside pump is worn or damaged. Continued operation may cause water damage to engine.
9. Inspect motor and pump mounts for damage and replace as required.
10. Clean pump per the "Cleaning the Pump" Section of this manual.

CLEANING

⚠ CAUTION

Risk of injury or damage to equipment.

- Do not remove priming plug, drain plug, pump housing or inlet or discharge hose fittings when pump is hot. Hot water and/or vapor inside could be pressurized.
- Do not spray engine with water. Water can contaminate the fuel system.

Clean inside of pump housing after every use.

1. Allow the unit to cool completely.
2. After the unit has cooled, remove drain plug and priming plug from pump housing and drain any water left in the pump.
3. Remove the (4) bolts securing the pump housing and save for reuse. Remove pump housing.
4. Remove volute insert.
5. Clean out dirt and debris.
6. Inspect impeller and volute insert for wear. The impeller may develop sharp edges after use. Use care when cleaning around impeller to avoid getting cut. Replace impeller and/or volute insert if wear is significant.
7. After cleaning, inspection and replacements if necessary, reinstall the volute insert, pump housing (using bolts removed earlier), drain plug and priming plug.

DRAINING THE PUMP

⚠ CAUTION

Risk of injury or damage to equipment.

- Do not remove priming plug, drain plug, pump housing or inlet or discharge hose fittings when pump is hot. Hot water and/or vapor inside could be pressurized.

If the pump is subject to freezing temperatures, pump housing must be thoroughly drained of any water to prevent damage from freezing.

1. Allow the unit to cool completely.
2. After the unit has cooled, remove drain plug and priming plug from pump housing and drain any water left in the pump.
3. Make sure the suction and discharge lines are free of water.
4. After draining, reinstall the drain plug and priming plug.

TRANSPORTING THE PUMP

1. Allow unit to cool completely.
2. Empty the fuel tank or close the fuel valve.
3. Disconnect the spark plug wire from the spark plug and place the wire where it cannot contact the plug.
4. Make sure that the pump is kept level to reduce the possibility of oil or fuel leakage.
5. Ensure that the pump is securely strapped down in the transport vehicle to prevent it from sliding or tipping.
6. Do not refuel the pump in or on the transport vehicle. Move the pump to its operating location and then fill the fuel tank.

STORAGE

⚠ CAUTION

Risk of injury or damage to equipment.

- Do not remove priming plug, drain plug, pump housing or inlet or discharge hose fittings when pump is hot. Hot water and/or vapor inside could be pressurized.
- Store the pump in a well-ventilated area away from furnaces, stoves, water heaters, clothes dryers, or other appliances that have a pilot light or other ignition source (heat, flame, sparks, etc.) because they can ignite fuel vapors.

If pump is being stored for more than 30 days:

1. Allow the unit to cool completely.
2. After the unit has cooled, remove drain plug and priming plug from pump housing and drain any water left in the pump.
3. Clean inside of pump housing per the “Cleaning” section of this manual.
4. Coat inside of pump with a light film of oil to reduce corrosion.
5. Tape up suction and discharge ports to prevent anything from accidentally entering the pump.
6. Refer to and follow instructions in the engine manufacturer’s owner’s manual for engine storage.
7. Cover pump and engine and store in a clean, dry area.

Troubleshooting

Problems	Causes	Solutions
Pump will not pump	Air leak in suction hose	Make sure suction hose is double clamped at joints, clamps are tight, fittings have thread compound and are tight, with no nicks or cuts in hose
	The suction and/or discharge hose(s) may be blocked, or the valve(s) are closed, faulty and/or blocked	Check to see that the hoses and valves are in good working order
	The end of the suction hose is not submerged	The end of the suction hose must be submerged
	Total head is too high for this pump to work against	Reduce total head or use a higher head pump
Pump will not prime	Excessive suction lift (*1)	Move the pump closer to liquid source
Priming takes a long time	Suction hose is quite long	Refer to PUMP PLACEMENT section
	Air pockets or leaks in the suction hose	Check the hose for loose connections
Pump does not perform as well as it should	Flow is restricted due to: a) Debris build-up b) Faulty or semi-open valve(s) c) Pipe or hose used is smaller than the thread sizes on the pump	a) Clean the hoses and fittings b) Check to see that the valves are in good working order c) Increase the size of hose or pipe to reduce friction losses
	Insufficient submergence of the end of suction hose	The end of the suction hose must be submerged
	Excessively worn impeller (*2)	Replace impeller
	Seal is damaged (*3). Liquid will be leaking through the middle of the adapter	Replace the seal
	Air pockets or leaks in the suction hose	Check the hose for loose connections
	Clogged impeller	Remove casing to clean out
	Engine throttle is in SLOW position	Move throttle to FAST position
Pump loses prime	Water level drops below the end of the suction hose	The end of the suction hose must be submerged
Pump will not start	No fuel	Add fuel per engine manufacturer's instructions
	Faulty spark plug	Replace spark plug
	Fuel valve lever is in the OFF position	Turn the fuel valve lever to the ON position
	Ignition switch is in the OFF position	Turn the ignition switch to the ON position
	Choke is in the wrong position	Slide choke lever to the START position
Pump starts, but runs roughly	Choke is in the wrong position	Slide choke lever to the RUN position
	Spark plug wire is loose	Attach wire to spark plug securely
	Faulty spark plug	Replace spark plug
	Fuel is contaminated (water, debris, etc.)	Allow engine to cool for 2 minutes, then drain fuel tank and carburetor Fill tank with fresh fuel
	Low oil level	Add oil per engine manufacturer's instructions
Pump shuts down during operation	No fuel	Add fuel per engine manufacturer's instructions
	Low oil level	Add oil per engine manufacturer's instructions

- *1. Excessive suction lift must take into consideration:
a. Excessive suction lift must take into consideration:
b. Pipe Fitting
c. Elevation above sea level

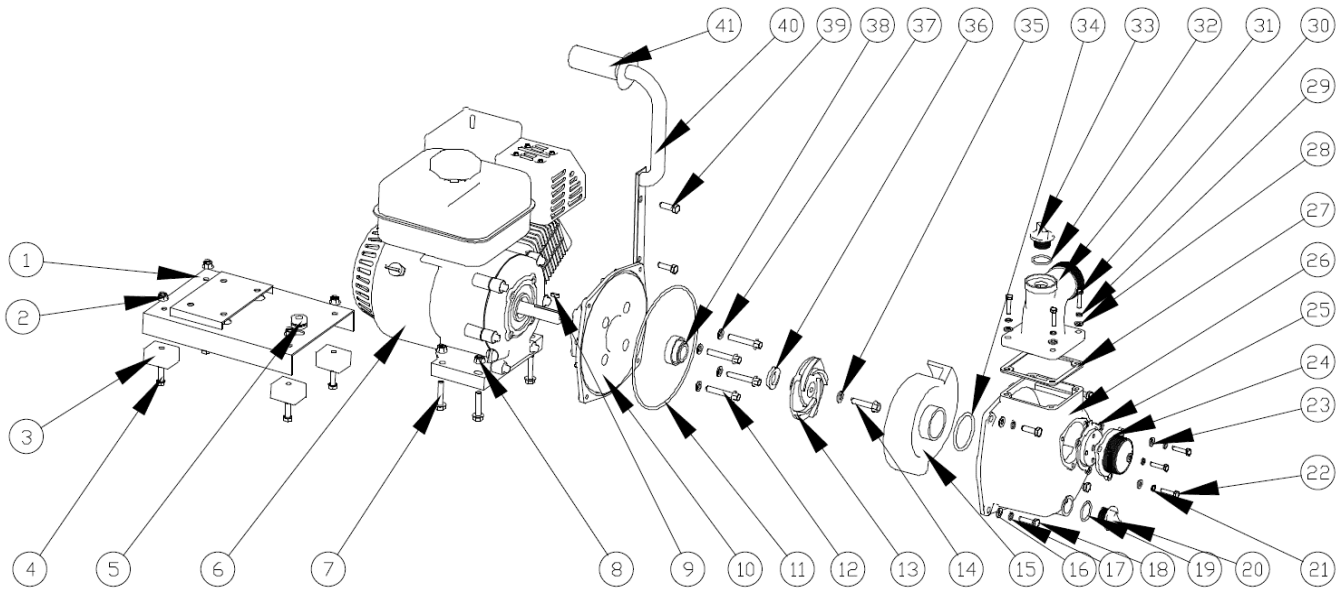
Including all the above, we recommend that the total suction head not exceed 25 ft.

- *2. An excessively worn impeller is mainly caused from cavitation, which is caused by several situations, such as:
a. Restricted suction
b. Excessive suction lift
- *3. The seal may be damaged due to:
a. Normal Wear
b. Overheating
c. Pumping chemicals or abrasives that this seal is not designed for.

For technical assistance for pump operation, call 1.888.885.9254. For assistance with engine components, please refer to the engine manual or contact an LCT® engine authorized service depot for further assistance. For more information visit www.lctusa.com/service/

LCT® is a registered trademark of Liquid Combustion Technology, LLC.

REPLACEMENT PARTS



Item	Description	Contents
617300	2RLAG-1L Minor Repair Kit	11, 34, 35, 36, 37, 38
617310	2RLAG-1L Major Repair Kit	9, 11, 13, 14, 15, 34, 35, 36, 37, 38
617320	2RLAG-1L Casing Kit	10, 11, 12, 16, 17, 18, 26, 37
617330	2RLAG-1L Accessory Kit	32, 33
617340	2RLAG-1L Suction and Discharge Flange Kit	24, 25, 27, 28, 29, 30, 31, 32, 33
617350	2RLAG-1L Handle/Base Assembly	1, 2, 3, 4, 5, 7, 8, 39, 40, 41

LIMITED WARRANTY

THIS WARRANTY SETS FORTH THE BRAND'S SOLE OBLIGATION AND PURCHASER'S EXCLUSIVE REMEDY FOR DEFECTIVE PRODUCT.

Engine and Emissions Control System (ECS): The Red Lion brand (hereafter "the Brand") is not liable for the ECS or related components. Please refer to the engine manufacturer's owner's manual for details regarding the engine and emissions control system (ECS) warranties. Follow the instructions in the engine manufacturer's owner's manual for obtaining warranty service for the engine and/or engine-related components.

The Brand warrants that the products accompanied by this warranty are free from defects in materials or workmanship of the Brand that exist at the time of sale by the Brand and which occur or exist within the applicable warranty period. Any distributor, sub-distributor, recipient, end-user and/or consumer agrees that by accepting the receipt of the products, the distributor, sub-distributor, recipient, end user and/or consumer expressly agrees to be bound by the terms of the warranty set forth herein.

I. Applicable Warranty Period

The products accompanied by this warranty shall be covered by this Limited Warranty for a period of 24 months from the date of original purchase by the consumer. In the absence of suitable proof of purchase date, the warranty period of this product will begin to run on the product's date of manufacture.

II. Instructions Applicable to this Limited Warranty

1. Consumers wishing to submit a warranty claim must call the Technical Service line at 888-885-9254.
2. Upon discovery of a defect, any personal injury, property damage or any other type of resulting damage, if applicable, shall be reasonably mitigated to the extent possible.
3. At its discretion, the Brand may inspect products either at its facilities or in the field, and after determination of a warranty claim, will, at its option, repair or replace defective parts. Repaired or replaced parts will be returned freight prepaid by the Brand.
4. This warranty policy does not cover any labor or shipping charges. The Brand shall not be liable for any costs or charges attributable to any product testing, maintenance, installation, repair or removal, or for any tools, supplies, or equipment needed to install, repair, or remove any product.

III. Limitations Applicable to this Limited Warranty

THIS WARRANTY DOES NOT APPLY TO ANY OF THE FOLLOWING:

1. Any product that is not installed, applied, maintained and used in accordance with the Brand's published instructions, applicable codes, applicable ordinances and/or with generally accepted industry standards.
2. Any product that has been subject to misuse, misapplication, neglect, alteration, accident, abuse, tampering, acts of God (including lightning), acts of terrorism, acts of war, fire, improper storage or installation, improper use, improper maintenance or repair, damage or casualty, or to an excess of the recommended maximums as set forth in the product instructions.
3. Any product that is operated with any accessory, equipment, component, or part not specifically approved by the Brand.
4. Use of replacement parts not sold by the Brand, the unauthorized addition of non-Brand products to other Brand products, and the unauthorized alteration of Brand products.
5. Products damaged by normal wear and tear, normal maintenance services and the parts used in connection with such service, or any other conditions beyond the control of the Brand.
6. Any product that has been used for purposes other than those for which it was designed and manufactured.
7. Any use of the product where installation instructions and/or instructions for use were not followed.
8. Products where the suction port was exposed to any of the following: sand, gravel, cement, grease, plaster, mud, tar, hydrocarbons, hydrocarbon derivatives (oil, gasoline, solvents, etc.), driveway sealants or other abrasive or corrosive substances.
9. Products in which the pump has been used for pumping of liquids above 140°F.
10. Products in which the pump was allowed to operate dry (fluid supply cut off).

The Brand reserves the right at any time, and from time to time, to make changes in the design and/or improvements upon its product without thereby imposing any obligation upon itself to make corresponding changes or improvements in or upon its products already manufactured and/or previously sold. The Brand further reserves the right to substitute parts or components of substantially equal quality in any warranty service required by operation of this Limited Warranty.

This written Limited Warranty is the entire warranty authorized and offered by the Brand. There are no warranties or representations beyond those expressed in this document.

THIS WARRANTY AND REMEDY IS IN LIEU OF ALL OTHER WARRANTIES AND REMEDIES INCLUDING WITHOUT LIMITATION, WARRANTIES OF MERCHANTABILITY AND/OR FITNESS FOR A PARTICULAR PURPOSE, WHICH ARE HEREBY SPECIFICALLY DISCLAIMED AND EXPRESSLY EXCLUDED. CORRECTION OF NON-CONFORMITIES, IN THE MANNER AND FOR THE PERIOD OF TIME AS SET FORTH ABOVE, SHALL CONSTITUTE FULFILLMENT OF ALL LIABILITY OF THE BRAND TO THE PURCHASER WHETHER BASED ON CONTRACT, NEGLIGENCE, OR OTHERWISE.

THE BRAND SHALL NOT BE LIABLE FOR INCIDENTAL, CONSEQUENTIAL OR SPECIAL DAMAGES SUCH AS, BUT NOT LIMITED TO:

DAMAGE TO OR LOSS OF OTHER PROPERTY OR EQUIPMENT, LOSS OF USE OF EQUIPMENT, FACILITIES OR SERVICE, LOSS OF PROFIT OR SALES, COST OF PURCHASES OR REPLACEMENT GOODS, CLAIMS OF CUSTOMERS OF THE PURCHASER, FAILURE TO WARN AND/OR INSTRUCT, LOSS OF OTHER PRODUCTS, OR COSTS OF ENVIRONMENTAL REMEDIATION, OR DIMINUTION IN PROPERTY VALUE. THE REMEDIES OF THE PURCHASER SET FORTH HEREIN ARE EXCLUSIVE, AND THE LIABILITY OF THE BRAND SHALL NOT, EXCEPT AS EXPRESSLY PROVIDED HEREIN, EXCEED THE PRICE OF THE PRODUCTS UPON WHICH SUCH LIABILITY IS BASED. DAMAGES AS SET FORTH IN THIS PARAGRAPH SHALL BE REASONABLY MITIGATED TO THE EXTENT POSSIBLE. THIS PARAGRAPH SHALL ALSO APPLY TO ALL DAMAGES RESULTING FROM CONDITIONS SET FORTH IN SECTION III ABOVE AND (1) DEFECTS IN PRODUCT PROTOTYPES OR REPLACEMENT PART PROTOTYPES THAT HAVE NOT BEEN PUT INTO PRODUCTION, CIRCULATED AND SOLD BY THE BRAND, AND/OR (2) DEFECTS THAT WERE NOT FOUND AT THE TIME OF SALE DUE TO SCIENTIFIC AND TECHNOLOGICAL REASONS.

This Limited Warranty gives you specific legal rights. You may have other rights, which vary according to the applicable laws and regulations. Where any term of this warranty is prohibited by such laws, it shall be null and void, but the remainder of this warranty shall remain in full force and effect.

DISCLAIMER: Any oral statements about the product made by the seller, the Brand, the representatives or any other parties, do not constitute warranties, shall not be relied upon by the user, and are not part of the contract for sale. Seller's and the Brand's only obligation, and buyer's only remedy, shall be the replacement and/or repair by the Brand of the product as described above. Before using, the user shall determine the suitability of the product for his intended use, and user assumes all risk and liability whatsoever in connection therewith.



Form #998737
Rev. 002
10/18



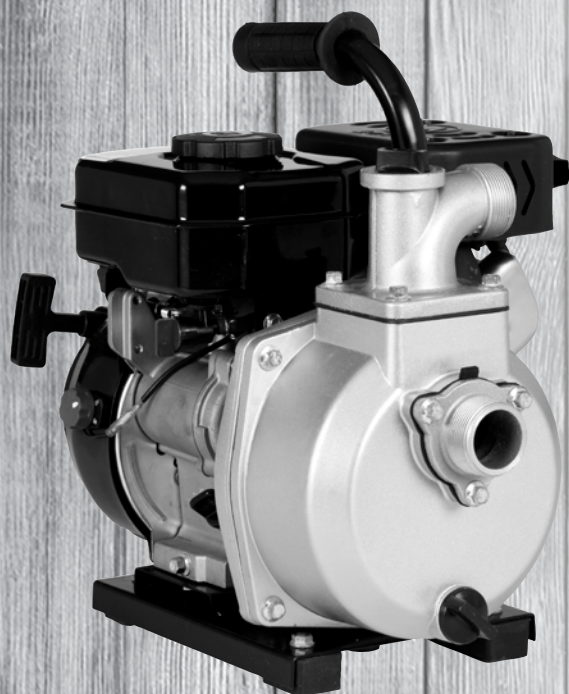
RED LION®



RED LION®

FR

FRANÇAIS



POMPE À EAU EN ALUMINIUM ENTRAÎNÉE PAR MOTEUR 2RLAG-1L Manuel d'utilisation

Table des Matières

Consignes de sécurité.....	2
Introduction.....	4
Application.....	4
Spécifications.....	4
Mise en place de la pompe.....	5
Fonctionnement.....	5
Maintenance.....	7
Nettoyage.....	7
Vidange de la pompe.....	8
Transport de la pompe.....	8
Entreposage.....	8
Dépannage.....	9
Pièces de rechange.....	10
Garantie limitée.....	11

CONSIGNES DE SÉCURITÉ

Messages d'alertes

Ce manuel comprend des précautions de sécurité et d'autres renseignements importants présentés dans le format suivant:

⚠ DANGER

Indique une situation dangereuse imminente qui, si elle n'est pas évitée, entraînera la mort ou des blessures graves.

⚠ AVERTISSEMENT

Indique une situation potentiellement dangereuse qui, si elle n'est pas évitée, peut entraîner la mort ou des blessures graves.

⚠ ATTENTION

Indique une situation potentiellement dangereuse qui, si elle n'est pas évitée, peut entraîner des blessures corporelles mineures ou modérées.

AVIS

Indique une situation potentiellement dangereuse qui, si elle n'est pas évitée, peut entraîner des dommages à l'équipement ou matériels.

IMPORTANT : Présente l'information qui permet un assemblage et un fonctionnement adéquats du produit.

REMARQUE : Présente de l'information utile ou des précisions.



Ce symbole avise l'utilisateur de la présence d'une tension dangereuse dans le produit présentant un risque de blessures ou d'électrocution.



Ce symbole avise l'utilisateur de la présence de surfaces chaudes présentant un risque d'incendie ou de blessures corporelles.

AVANT DE COMMENCER

L'installation et l'entretien de l'équipement doivent être effectués par un employé techniquement qualifié. Le non-respect des codes électriques local et national et des recommandations de Red Lion pourrait mener à une électrocution ou un incendie, une mauvaise performance ou une défaillance de l'équipement.

Ce produit comprend un manuel de l'utilisateur rédigé par le fabricant de la pompe et un manuel de l'utilisateur rédigé par le fabricant du moteur. Lire et suivre attentivement ces instructions pour éviter toute blessure ou tout dommage matériel. Ne pas désassembler ou réparer l'unité, sauf si cela est décrit dans le présent manuel. Si l'un des manuels est manquant, ne pas installer ni utiliser le produit avant d'avoir obtenu le manuel de remplacement et de l'avoir lu attentivement.

Consulter la plaque signalétique du produit pour obtenir des instructions et des spécifications de fonctionnement supplémentaires.

Le non-respect des procédures d'installation/utilisation et de tous les codes applicables peut entraîner les risques suivants:

⚠ DANGER

Risque de mort, de blessures corporelles ou de dommages matériels.

- Ne pas utiliser pour pomper des liquides inflammables ou explosifs comme l'essence, le mazout, le kérosène, etc.
- Ne pas utiliser dans une atmosphère explosive ou un emplacement dangereux selon le Code national de l'électricité, ANSI/NFPA70.
- Lorsqu'il est en marche, le moteur de cette pompe produit du monoxyde de carbone, un gaz toxique inodore et incolore qui peut entraîner une asphyxie et causer la mort en quelques minutes. Respirer du monoxyde de carbone peut entraîner des nausées, l'évanouissement ou la mort. Utiliser cette pompe à l'extérieur UNIQUEMENT, dans un endroit bien ventilé. Ne pas utiliser la pompe dans un bâtiment, un espace restreint comme un tunnel ou une tranchée ou dans un espace fermé comme un sous-sol, un garage ou un emplacement similaire, même si les portes et les fenêtres sont ouvertes.

⚠ ATTENTION

Risque de blessures corporelles ou de dommages matériels.

- Cet équipement ne doit pas être utilisé par des enfants ou des personnes ayant des capacités physiques, sensorielles ou mentales réduites ou un manque d'expérience, à moins qu'elles ne soient supervisées ou dirigées. Les enfants ne doivent pas utiliser l'équipement ni jouer avec le produit ou à proximité de celui-ci.
- Ne pas utiliser cette pompe pour pomper tout liquide destiné à la consommation humaine.
- Le fonctionnement de cet équipement requiert les instructions d'installation et de fonctionnement détaillées fournies dans le présent manuel.
- Lire tout le manuel avant d'installer et d'utiliser le produit.
- Garder la zone de travail propre, bien éclairée et dégagée.
- Garder les étiquettes de sécurité propres et en bon état.
- Ne pas porter de vêtements amples, de bijoux ou tout autre accessoire qui pourrait se prendre dans les pièces mobiles de l'équipement. Attacher les cheveux longs et retirer les bijoux.
- Porter l'équipement de protection personnel suivant lors de l'installation, du fonctionnement ou de l'entretien de cette pompe :
 - Vêtements de travail près du corps qui n'entravent pas le mouvement
 - Lunettes de sécurité avec protections latérales
 - Protection auditive
 - Chaussure de sécurité avec bout protecteur.

Précautions particulières au produit

Entreprises de location ou propriétaires privés qui louent ou prêtent cette pompe à des tiers : Toute personne à qui vous louez ou prêtez cette pompe doit avoir accès aux manuels de l'utilisateur du produit et les lire. Conserver les manuels avec la pompe en tout temps et conseiller à toute personne qui utilise la pompe de les lire. Vous devez également fournir des instructions personnelles sur la manière d'utiliser la pompe de façon sécuritaire, et vous devez être disponible pour répondre aux questions du loueur ou de l'emprunteur.

⚠️ AVERTISSEMENT

Risque de blessures graves ou de mort.

- Des risques particuliers sont associés au fonctionnement et au ravitaillement des moteurs à combustion interne. Le non-respect des directives de sécurité et des mises en garde pourrait entraîner des blessures graves et la mort. Consulter et respecter toutes les instructions du manuel de l'utilisateur du fabricant, ainsi que toutes les instructions du présent manuel.
- Ne pas tenter de démarrer le moteur lorsque la bougie d'allumage est retirée. Une étincelle involontaire peut mener à un incendie ou à une électrocution. S'assurer que la bougie d'allumage, le silencieux, le bouchon du réservoir, et le filtre à air sont en place.
- Ne pas utiliser dans de l'équipement mobile ou un environnement aquatique.
- En cas de déversement de carburant, éviter de démarrer le moteur ou de créer une source d'inflammation avant que le carburant ne soit évaporé ou nettoyé et que toutes les vapeurs de carburant se soient dissipées.

⚠️ ATTENTION

Risque de blessures corporelles ou de dommages matériels.

- Une rétraction rapide de la corde du démarreur peut tirer votre main ou votre bras vers le moteur avant que vous n'ayez le temps de lâcher prise. Il peut en résulter des fractures, des ecchymoses ou des foulures. Pour minimiser les risques de rétraction, tirer sur la corde du démarreur lentement, jusqu'à sentir une résistance, puis tirer rapidement pour démarrer le moteur.
- Ne pas utiliser cette pompe pour pomper tout liquide destiné à la consommation humaine.
- Ne pas modifier la pompe. Utiliser la pompe aux fins prévues uniquement.
- Se tenir loin des gaz d'échappement chauds et éviter de toucher les surfaces chaudes.
- Ne pas incliner la pompe à un angle qui entraînerait le déversement du carburant.
- Ne jamais démarrer ou utiliser une pompe endommagée, défectueuse, défaillante ou susceptible de l'être.

AVIS

Risque de dommages à l'équipement ou matériels.

- Le Titre 36, Parcs, forêts et propriété publique, du Code of Federal Regulation (CFR) exige que l'équipement alimenté par un moteur à combustion interne soit muni d'un pare-étincelle fonctionnel respectant la norme 5100-1C, ou une version révisée, du USDA Forest service. Dans l'état de la Californie, un pare-étincelle est requis en vertu de la section 4442 du « California Public resources code ». D'autres États peuvent avoir des lois semblables.
- Ne pas utiliser la pompe pour pomper de l'eau de mer, des boissons, de l'acide, des solutions chimiques ou tout autre liquide qui favoriserait la corrosion, ce qui pourrait endommager la pompe.

INTRODUCTION

Cette unité est une pompe de transfert entraînée par un moteur pour des applications d'assèchement général; elle est appropriée pour pomper de l'eau propre. N'utilisez pas cette pompe dans des applications où sont présents des eaux d'égout, d'autres débris (gravier, sable, débris flottants, etc.) ou des substances corrosives.

Ce feuillet d'instructions vous fournit l'information requise pour utiliser votre produit de manière sécuritaire. Conservez ces instructions pour référence ultérieure. Le produit que vous avez acheté utilise des matériaux et provient d'une main-d'oeuvre de la plus haute qualité. Il a été conçu pour vous fournir un service durable et fiable. Ce produit a été soigneusement testé, inspecté et emballé pour en assurer la livraison et le fonctionnement sécuritaires. Veuillez examiner soigneusement votre ou vos articles afin de vous assurer qu'aucun dommage ne s'est produit pendant l'expédition. Dans le cas contraire, veuillez communiquer avec le vendeur. Il vous aidera à obtenir un remplacement ou une réparation, le cas échéant.

APPLICATION

Utilisez cette pompe uniquement pour de l'eau, dans un endroit où la hauteur d'aspiration verticale à partir du niveau d'eau est de 25 pi (8 m) ou moins. Ne dépassez pas la hauteur d'aspiration maximale. La charge hydraulique réfère à la hauteur d'une colonne d'eau qui peut être fournie par le refoulement de la pompe (figure 1). La hauteur d'aspiration (ou levage d'aspiration) est la distance verticale entre le centre de la pompe et la surface du liquide sur le côté aspiration de la pompe. La hauteur de refoulement est la distance verticale entre l'orifice de refoulement de la pompe et le point de refoulement. La charge totale est la somme de la hauteur d'aspiration et de la hauteur de refoulement. L'élévation au-dessus du niveau de la mer et les pertes par frottement doivent être prises en compte.

SPÉCIFICATIONS

Modèle	ZRLAG-1L
Moteur	Refroidi à l'air, moteur à quatre temps à soupapes en tête, 79 cm ³
Rendement	2,1 HP @ 3 600 tr/min
Type de carburant	Consultez le manuel d'utilisation du fabricant du moteur
Type d'huile	Consultez le manuel d'utilisation du fabricant du moteur
Coupure	79 pi (24,1 m)
Charge d'aspiration (max.)	25 pi (7,6 m)
Diamètre de l'entrée	MNPT 1,5 po (3,8 cm)
Diamètre du refoulement	MNPT 1,5 po (3,8 cm)
Débit maximal	60 GPM (227 LPM)
Poids	43 lb (19,5 kg)
Hauteur	17,75 po (45,1 cm)
Largeur	14 po (35,6 cm)
Longueur	20,75 po (52,7 cm)

MISE EN PLACE DE LA POMPE

⚠ ATTENTION

Risque de blessures ou de dommages matériels découlant d'un incendie.

- La pompe doit être située à au moins 5 pieds de structures ayant des murs combustibles ou d'autres matériaux combustibles comme des feuilles, de l'herbe et des buissons.
- La chaleur d'échappement réfléchive peut endommager le réservoir de carburant et déclencher un incendie. Garder au moins 3 pieds d'espace libre de chaque côté de la pompe pour un refroidissement et un entretien adéquats.

1. Placez la pompe à l'extérieur, dans un endroit bien ventilé, sur une surface plane et de niveau.
2. Placer la pompe sur une base plane, rigide pour éviter la pompe de basculement, rouler, glisser ou rampant pendant que vous utilisez. Si la pompe n'est pas stable, le poids des tuyaux remplis de liquide peut entraîner l'unité de basculement.
3. Utilisez un tuyau semi-rigide sur le côté aspiration de la pompe et utilisez un tuyau d'aspiration le plus court possible. Un tuyau d'aspiration effondré, déformé, obstrué ou trop long réduit le rendement d'amorçage et de pompage, et peut contribuer à la perte d'amorçage, ce qui peut engendrer la surchauffe de la pompe.
4. Utilisez un tuyau d'aspiration du même diamètre que celui de l'orifice d'aspiration sur la pompe. Si le tuyau d'aspiration est long, augmentez-le d'une taille pour améliorer le débit.
5. Inclinez le tuyau d'aspiration vers le haut en direction de la pompe pour éviter la formation de poches d'air dans le tuyau et un amorçage difficile.
6. Si le tuyau d'aspiration est orienté à la verticale, utilisez un coude sur la connexion entre le tuyau et la pompe pour prévenir le coquage.
7. Gardez le tuyau de refoulement le plus court possible pour permettre à la pompe d'offrir un débit de sortie maximal.
8. Utilisez de la pâte lubrifiante sur tous les joints de tuyaux et des colliers doubles sur tous les joints de tuyaux flexibles. Les connexions doivent être étanches à l'air.
9. Un panier protège-crêpine doit être installé à l'extrémité du tuyau d'aspiration afin de recueillir les débris et les abrasifs. N'utilisez jamais la pompe sans son panier protège-crêpine en place.
10. Placez l'extrémité du tuyau de refoulement à l'endroit où l'eau refoulée doit être pompée. Fixez/arrimez le tuyau de refoulement pour éviter le fouettage.

REMARQUE : Les fuites dans les conduites d'aspiration constituent l'une des principales causes des problèmes de pompage. Même une fuite minime peut réduire le rendement d'amorçage et de pompage de façon importante.

FONCTIONNEMENT

Préparation du moteur

Consultez et respectez les instructions du fabricant du moteur lors de la préparation du moteur avant son utilisation, par exemple pour la vérification du niveau d'huile, du filtre à air, du niveau de carburant, etc.

⚠ AVERTISSEMENT

Risque de blessures graves ou de mort.

- Le carburant et ses vapeurs sont extrêmement inflammables et explosifs. Un incendie ou une explosion peuvent causer des brûlures graves ou la mort. Ne pas ravitailler le moteur en carburant lorsqu'il se trouve à l'intérieur. Ne pas ravitailler le moteur en carburant lorsqu'il fonctionne ou qu'il est chaud. Ne pas allumer de cigarette ou fumer lors du ravitaillement en carburant. Conserver le carburant loin des fournaies, fours, chauffe-eau, sécheuses ou autres appareils qui possèdent un brûleur de veilleuse ou une autre source d'inflammation (chaleur, flamme, étincelle, cigarette, etc.) puisque cela pourrait enflammer les vapeurs de carburant.
- Lors du ravitaillement en carburant, s'assurer que la pompe est à l'extérieur sur une surface plane au niveau. Ne pas procéder au ravitaillement en carburant lorsque la pompe se trouve à l'intérieur. ÉTEINDRE la pompe et la laisser refroidir au moins 2 minutes avant de retirer le bouchon du carburant. Dévisser le bouchon lentement pour libérer la pression du réservoir. Consulter les instructions du fabricant du moteur pour connaître le type de carburant recommandé et la procédure de ravitaillement adéquate.
- En cas de déversement de carburant, éviter de démarrer le moteur ou de créer une source d'inflammation avant que le carburant ne soit évaporé ou nettoyé et que toutes les vapeurs de carburant se soient dissipées.

AVIS

Risques de dommages à l'équipement.

- Ne pas tenter de démarrer le moteur avant qu'il ne soit adéquatement rempli du type d'huile recommandé. Le non-respect de ces instructions mènera à l'annulation de la garantie et pourrait endommager le moteur. Consulter les instructions du fabricant du moteur pour connaître le type d'huile recommandé et la procédure de ravitaillement adéquate. Vérifier la quantité d'huile pour moteur avant chaque utilisation et en ajouter au besoin.

Amorçage de la pompe

AVIS

Risques de dommages à l'équipement.

- Ne jamais utiliser la pompe avant de l'avoir amorcée. De l'eau est requise pour lubrifier le joint de la pompe. Utiliser la pompe à sec endommagera de façon permanente le joint de la pompe. S'assurer que le boîtier de la pompe est complètement rempli d'eau avant de démarrer le moteur.

1. Retirez le bouchon d'amorçage.
2. Remplissez complètement le boîtier de pompe avec de l'eau.
3. Remplacez le bouchon d'amorçage et serrez-le bien.

REMARQUE : Si la pompe est au-dessous du niveau de l'eau qui doit être pompée (aspiration immergée), elle se remplira automatiquement lorsque les robinets seront ouverts.

Utilisation de la pompe

AVIS

Risques de dommages à l'équipement.

- Ne pas laisser la pompe en marche lorsqu'elle n'est pas surveillée. Si la pompe est laissée sans surveillance, toujours éteindre le moteur.
- Ne pas laisser de véhicule rouler sur les tuyaux d'évacuation et d'aspiration. Si un tuyau doit être placé sur une route, placer des planches de chaque côté du tuyau pour le protéger et permettre aux véhicules de passer sans obstruer ou écraser le tuyau. Rouler sur un tuyau d'évacuation non protégé alors que la pompe fonctionne peut endommager le boîtier de la pompe.

1. Assurez-vous que la pompe est sur une surface plane et de niveau.
2. Ne bloquez pas et ne restreignez pas les tuyaux d'aspiration ou de refoulement. Retirez les coques des tuyaux d'aspiration et de refoulement avant de démarrer la pompe. L'utilisation avec un tuyau d'aspiration ou de refoulement obstrué peut provoquer la surchauffe de l'eau à l'intérieur de la pompe.
3. Consultez les instructions du fabricant du moteur pour connaître la procédure appropriée de démarrage et d'arrêt du moteur.
4. Dans une situation d'aspiration immergée, la pompe commencera à refouler de l'eau presque immédiatement. Si le tuyau d'aspiration est au dessus du niveau de l'eau qui doit être pompée, il faudra compter quelques minutes pour acheminer l'eau jusqu'au boîtier de pompe puis la refouler. Si le tuyau d'aspiration est long, la pompe peut surchauffer avant que l'eau présente dans le tuyau n'atteigne la pompe. Si cela se produit:
 - a) Éteignez le moteur et retirez le bouchon de vidange et le bouchon d'amorçage pour vidanger le boîtier de pompe.
 - b) Attendez quelques minutes pour que le joint d'étanchéité dans le boîtier de la pompe se refroidisse. Si le boîtier surchauffé est rempli alors qu'il est chaud, cela endommagera le joint d'étanchéité.
 - c) Remplacez le bouchon de vidange et remplissez à nouveau le boîtier avec de l'eau.
 - d) Remplacez le bouchon d'amorçage et serrez-le bien.
 - e) Redémarrez le moteur en suivant les instructions du fabricant du moteur.
5. Si la pompe ne fonctionne pas comme prévu, vérifiez soigneusement les sections Installation, Maintenance et Dépannage.
6. Une fois le pompage terminé, éteignez le moteur en respectant les instructions du fabricant.
7. Laissez l'unité se refroidir complètement.
8. Après le refroidissement, retirez les bouchons d'amorçage et de vidange du boîtier de la pompe, et laissez-la se vider complètement.

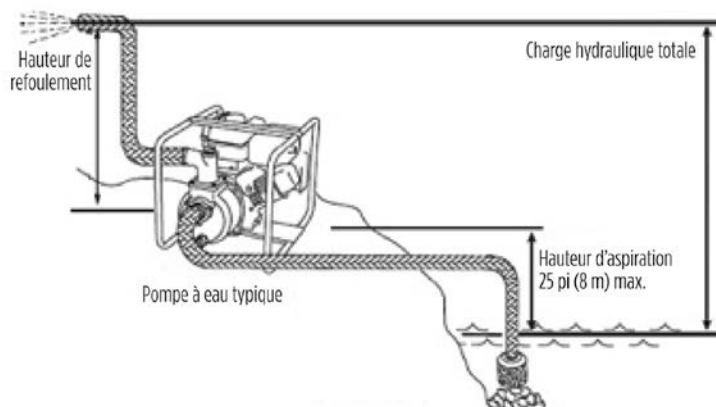


FIGURE 1

MAINTENANCE

▲ AVERTISSEMENT

Risque de blessures graves ou de dommages matériels découlant d'un incendie ou de projectiles.

- Ne jamais démarrer ou utiliser une pompe endommagée, défectueuse, défailante ou susceptible de l'être
- Ne pas ajuster ou réparer la pompe ou le moteur lorsque le moteur est en marche.
- Effectuer tous les entretiens prévus en temps opportun, conformément aux recommandations du fabricant. Résoudre tout problème avant d'utiliser la pompe. Un mauvais entretien mènera à l'annulation de la garantie de la pompe.

Une maintenance préventive et une inspection préalable doivent être effectuées avant chaque utilisation par les propriétaires de l'unité ou par des fournisseurs de service certifiés compétents et expérimentés.

Une pompe mal entretenue peut représenter un risque pour la sécurité! Pour que la pompe fonctionne de manière appropriée et sécuritaire tout au long de son cycle de vie, une maintenance périodique et des réparations occasionnelles sont nécessaires.

1. Lisez et respectez les instructions fournies dans le manuel d'utilisation du fabricant du moteur concernant la maintenance recommandée du moteur.
2. Éteignez le moteur.
3. Laissez l'unité se refroidir complètement.
4. Pour prévenir le démarrage accidentel, retirez et mettez à la terre le fil de la bougie d'allumage avant d'effectuer un quelconque entretien.
5. Vérifiez les écrous, les boulons et les fixations et resserrez ceux qui sont lâches.
6. Inspectez le moteur, la pompe et ses composants pour déterminer la présence de dommages. En cas de dommages visibles, n'utilisez pas le moteur ou la pompe! Contactez immédiatement le fabricant du moteur ou de la pompe pour obtenir de l'assistance.
7. Inspectez le moteur pour la présence de fuites d'huile ou de carburant. Si une fuite est découverte, n'utilisez pas le moteur! Contactez immédiatement le fabricant du moteur pour obtenir de l'assistance.
8. Recherchez les fuites d'eau entre la pompe et le moteur, de même qu'à toutes les autres interfaces d'étanchéité; au besoin, effectuez l'entretien. Si de l'eau fuit, le joint d'étanchéité à l'intérieur de la pompe est usé ou endommagé. Si vous poursuivez l'utilisation, cela peut engendrer des dégâts d'eau au moteur.
9. Inspectez les fixations de moteur et de pompe pour la présence de dommages, et remplacez-les au besoin.
10. Nettoyez la pompe selon les instructions fournies dans la section « Nettoyage de la pompe » de ce manuel.

NETTOYAGE

▲ ATTENTION

Risques de blessures ou de dommages à l'équipement.

- Ne pas retirer le bouchon d'amorçage, le bouchon de vidange, le boîtier de la pompe ou le raccord du tuyau d'évacuation ou d'aspiration lorsque la pompe est chaude. L'eau chaude ou la vapeur à l'intérieur peut être pressurisée.
- Ne pas vaporiser d'eau sur le moteur. L'eau peut contaminer le système de carburant.

Nettoyez l'intérieur du boîtier de pompe après chaque utilisation.

1. Laissez l'unité se refroidir complètement.
2. Une fois l'unité refroidie, retirez le bouchon de vidange et le bouchon d'amorçage du boîtier de pompe, et vidangez l'eau qui reste dans la pompe.
3. Retirez les quatre (4) boulons qui fixent le boîtier de pompe en place, et conservez-les pour un usage ultérieur. Retirez le boîtier de pompe.
4. Retirez l'insert de volute.
5. Retirez les débris et la saleté
6. Inspectez l'impulseur et l'insert de volute pour des signes d'usure. L'impulseur peut développer des rebords tranchants après utilisation. Faites preuve de prudence lors du nettoyage autour de l'impulseur, afin d'éviter de vous couper. Remplacez l'impulseur ou l'insert de volute en cas d'usure importante.
7. Après le nettoyage, l'inspection et tout remplacement nécessaire, réinstallez l'insert de volute, le boîtier de pompe (au moyen des boulons retirés plus tôt), le bouchon de vidange et le bouchon d'amorçage.

VIDANGE DE LA POMPE

⚠ ATTENTION

Risques de blessures ou de dommages à l'équipement.

- Ne pas retirer le bouchon d'amorçage, le bouchon de vidange, le boîtier de la pompe ou le raccord du tuyau d'évacuation ou d'aspiration lorsque la pompe est chaude. L'eau chaude ou la vapeur à l'intérieur peut être pressurisée.

Si la pompe est exposée à des températures de gel, le boîtier de la pompe doit être complètement vidangé de toute eau, afin de prévenir les dommages causés par le gel.

1. Laissez l'unité se refroidir complètement.
2. Une fois l'unité refroidie, retirez le bouchon de vidange et le bouchon d'amorçage du boîtier de pompe et vidangez l'eau qui reste dans la pompe.
3. Assurez-vous que les conduites d'aspiration et de refoulement sont exemptes d'eau.
4. Après la vidange, réinstallez les bouchons de vidange et d'amorçage.

TRANSPORT DE LA POMPE

1. Laissez l'unité se refroidir complètement.
2. Videz le réservoir de carburant ou fermez le robinet de carburant.
3. Débranchez le câble de bougie d'allumage de celle-ci, et placez le fil à un endroit où il ne peut pas toucher la bougie.
4. Assurez-vous que la pompe est de niveau, afin de réduire le risque de fuite de carburant ou d'huile.
5. Assurez-vous que la pompe est fixée solidement à l'aide de courroies lors du transport dans un véhicule, afin d'éviter qu'elle ne glisse ou bascule.
6. Ne ravitaillez pas la pompe en carburant lorsqu'elle se trouve dans le véhicule de transport ou sur celui-ci. Déplacez la pompe vers son emplacement d'utilisation, puis remplissez le réservoir de carburant.

ENTREPOSAGE

⚠ ATTENTION

Risques de blessures ou de dommages à l'équipement.

- Ne pas retirer le bouchon d'amorçage, le bouchon de vidange, le boîtier de la pompe ou le raccord du tuyau d'évacuation ou d'aspiration lorsque la pompe est chaude. L'eau chaude ou la vapeur à l'intérieur peut être pressurisée.
- Ranger la pompe dans un endroit bien ventilé, loin des fournaies, fours, chauffe-eau, sècheuses ou autres appareils qui possèdent un brûleur de veilleuse ou une autre source d'inflammation (chaleur, flamme, étincelle, etc.) puisque cela pourrait enflammer les vapeurs de carburant.

Si la pompe est entreposée pendant plus de 30 jours :

1. Laissez l'unité se refroidir complètement.
2. Une fois l'unité refroidie, retirez le bouchon de vidange et le bouchon d'amorçage du boîtier de pompe, et vidangez l'eau qui reste dans la pompe.
3. Nettoyez l'intérieur du boîtier de la pompe en suivant les instructions fournies dans la section « Nettoyage » de ce manuel.
4. Enduisez l'intérieur de la pompe d'une mince pellicule d'huile, afin de réduire la corrosion.
5. Couvrez les orifices d'aspiration et de refoulement avec du ruban adhésif pour empêcher que tout objet ou particule ne pénètre accidentellement dans la pompe.
6. Lisez et suivez les instructions fournies dans le manuel d'utilisation du fabricant du moteur pour l'entreposage du moteur.
7. Couvrez la pompe et le moteur, et entreposez-les dans un endroit propre et sec.

Dépannage

Problèmes	Causes	Solutions
La pompe ne pompe pas.	Infiltration d'air dans le tuyau d'aspiration.	Assurez-vous que le tuyau d'aspiration est fixé aux joints avec des colliers doubles, que les colliers sont bien serrés, que les raccords sont enduits de pâte lubrifiante et sont bien serrés, et que le tuyau est exempt d'éraflures ou de coupures.
	Les tuyaux d'aspiration ou de refoulement peuvent être obstrués, ou un robinet peut être fermé, défaillant ou bloqué.	Confirmez que les tuyaux et les robinets sont en bon état de fonctionnement.
	L'extrémité du tuyau d'aspiration n'est pas submergée.	L'extrémité du tuyau d'aspiration doit être submergée.
	La charge hydraulique totale est trop élevée pour la capacité de cette pompe.	Réduisez la charge hydraulique totale ou utilisez une pompe pour charge plus élevée.
La pompe ne s'amorce pas.	Hauteur d'aspiration excessive (*1).	Déplacez la pompe plus près de la source de liquide.
L'amorçage prend beaucoup de temps.	Le tuyau d'aspiration est très long.	Consultez la section MISE EN PLACE DE LA POMPE.
	Poches ou infiltration d'air dans le tuyau d'aspiration.	Vérifiez si le tuyau comporte des connexions lâches.
La pompe ne fonctionne pas aussi bien qu'elle le devrait.	Le débit est restreint en raison de : a) Accumulation de débris b) Robinet défaillant ou semi-ouvert c) Le tuyau ou le flexible utilisés sont plus petits que le diamètre du filetage sur la pompe	a) Nettoyez les tuyaux et les raccords b) Confirmez que les robinets sont en bon état de fonctionnement c) Augmentez la taille du tuyau ou du flexible afin de réduire les pertes par frottement
	L'extrémité du tuyau d'aspiration n'est pas assez submergée.	L'extrémité du tuyau d'aspiration doit être submergée.
	Usure excessive de l'impulseur (*2).	Remplacez l'impulseur.
	Le joint d'étanchéité est endommagé (*3). Du liquide fuira par le centre de l'adaptateur.	Remplacez le joint d'étanchéité.
	Poches ou infiltration d'air dans le tuyau d'aspiration.	Vérifiez s'il y a des connexions lâches sur le tuyau.
	Impulseur obstrué.	Retirez le boîtier pour le nettoyage.
	La manette de commande du moteur est en position SLOW (LENT).	Déplacez la manette à la position FAST (RAPIDE).
La pompe perd son amorçage.	Le niveau de l'eau s'abaisse sous l'extrémité du tuyau d'aspiration.	L'extrémité du tuyau d'aspiration doit être submergée.
La pompe ne démarre pas.	Pas de carburant.	Ajoutez du carburant en suivant les instructions du fabricant du moteur.
	Bougie d'allumage défaillante.	Remplacez la bougie d'allumage.
	Le levier de robinet de carburant est à la position OFF (ARRÊT).	Tournez le levier de robinet de carburant à la position ON (MARCHE).
	L'interrupteur d'allumage est à la position OFF (ARRÊT).	Tournez l'interrupteur d'allumage à la position ON (MARCHE).
	Le volet de départ est dans la mauvaise position.	Faites glisser le levier de volet de départ à la position START (DÉMARRAGE).
La pompe démarre, mais fonctionne abruptement.	Le volet de départ est dans la mauvaise position.	Faites glisser le levier de volet de départ à la position RUN (MARCHE).
	Le fil de bougie d'allumage est lâche.	Fixez solidement le fil à la bougie d'allumage.
	Bougie d'allumage défaillante.	Remplacez la bougie d'allumage.
	Le carburant est contaminé (eau, débris, etc.)	Laissez le moteur se refroidir pendant deux minutes, puis vidangez le réservoir de carburant et le carburateur. Remplissez le réservoir avec du carburant neuf.
	Faible niveau d'huile.	Ajoutez de l'huile en suivant les instructions du fabricant du moteur.
La pompe s'arrête pendant son utilisation.	Pas de carburant.	Ajoutez du carburant en suivant les instructions du fabricant du moteur.
	Faible niveau d'huile.	Ajoutez de l'huile en suivant les instructions du fabricant du moteur.

*1. La hauteur d'aspiration excessive doit tenir compte des facteurs suivants :

- a. Le diamètre et la longueur du tuyau
- b. Le raccord de tuyau
- c. L'élévation au-dessus du niveau de la mer

En tenant compte de tout ce qui précède, nous recommandons que la hauteur d'aspiration totale ne dépasse pas 25 pi (7,6 m).

*2. L'usure excessive d'un impulseur est habituellement causée par la cavitation, elle-même engendrée par plusieurs situations, dont :

- a. Restriction de l'aspiration
- b. Hauteur d'aspiration excessive

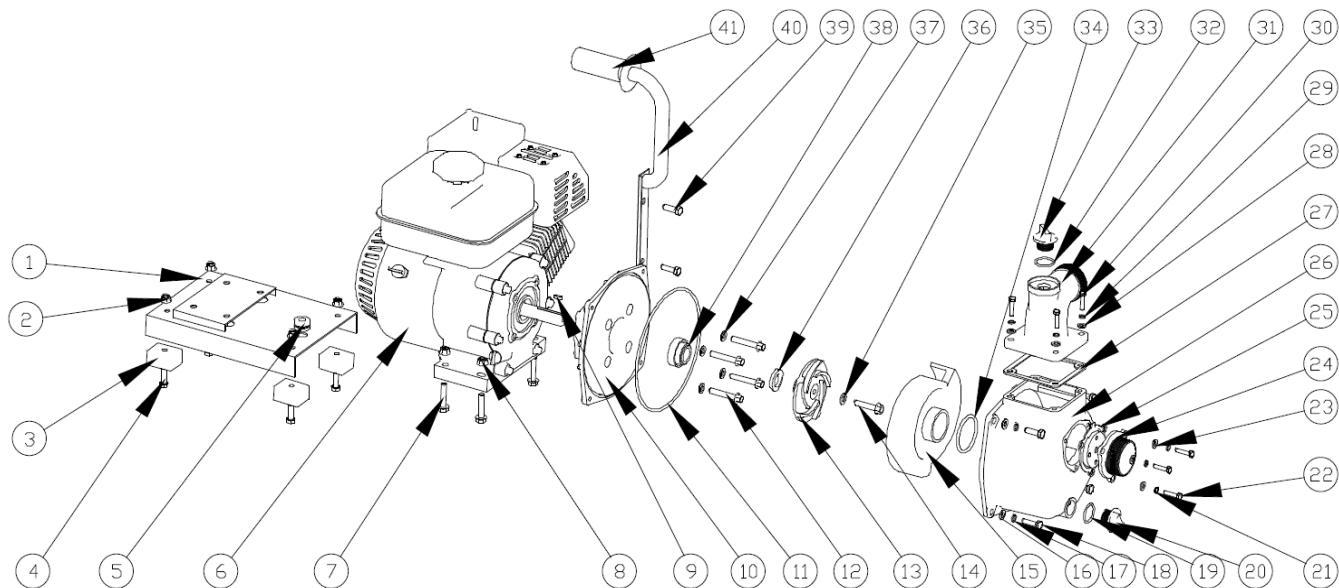
*3. Le joint d'étanchéité peut être endommagé en raison des facteurs suivants :

- a. L'usure normale
- b. La surchauffe
- c. Le pompage de produits chimiques ou d'abrasifs pour lesquels ce joint n'est pas conçu.

Pour l'assistance technique pour le fonctionnement de la pompe, appelez 1.888.885.9254. Pour assistance avec les composants du moteur, s'il vous plaît se référer au manuel du moteur, ou contacter un atelier de réparation autorisé de moteur LCT® pour plus d'assistance. Pour plus d'informations visitez www.lctusa.com/service/

LCT® est une marque déposée de Liquid Combustion Technology, LLC.

PIÈCES DE RECHANGE



Item	Description	Contents
617300	2RLAG-1L Trousse de réparation mineure	11, 34, 35, 36, 37, 38
617310	2RLAG-1L Trousse de réparation majeure	9, 11, 13, 14, 15, 34, 35, 36, 37, 38
617320	2RLAG-1L Trousse de boîtier	10, 11, 12, 16, 17, 18, 26, 37
617330	2RLAG-1L Trousse de accessoires	32, 33
617340	2RLAG-1L Trousse de bride de aspiration et refoulement	24, 25, 27, 28, 29, 30, 31, 32, 33
617350	2RLAG-1L Trousse de base/poignée	1, 2, 3, 4, 5, 7, 8, 39, 40, 41

GARANTIE LIMITÉE

CETTE GARANTIE ÉNONCE LES SEULES OBLIGATIONS DE LA MARQUE ET LES RECOURS EXCLUSIFS DE L'ACHETEUR EN CAS DE PRODUIT DÉFECTUEUX.

Moteur et dispositif antipollution : la marque de Red Lion (ci-après appelée « la Marque ») ne sont pas responsables du dispositif antipollution ni des composants qui y sont liés. Veuillez consulter le manuel d'utilisation du fabricant du moteur pour connaître les détails sur les garanties du moteur et du dispositif antipollution. Respectez les instructions fournies dans le manuel d'utilisation du fabricant du moteur pour obtenir un service sous garantie du moteur ou des composants reliés à celui-ci.

La Marque garantit que les produits accompagnés de cette garantie sont exempts de défauts quant aux matériaux ou à la main-d'oeuvre par la Marque qui existent au moment de la vente par la Marque et qui se produisent ou qui existent pendant la période applicable de garantie. Tout distributeur, sous-distributeur, destinataire, utilisateur final ou consommateur admet qu'en acceptant la livraison des produits, le distributeur, le sous-distributeur, le destinataire, l'utilisateur final ou le consommateur accepte explicitement de se soumettre aux modalités de la garantie présentées ici.

I. Période applicable de garantie

Les produits accompagnés de cette garantie seront couverts par cette Garantie limitée pour une période de 24 mois à partir de la date originale d'achat par le consommateur. À défaut d'une preuve appropriée de date d'achat, la période de garantie de ce produit commencera à partir de la date de fabrication du produit.

II. Instructions applicables à cette Garantie limitée

1. Les consommateurs qui désirent soumettre une réclamation de garantie doivent appeler la ligne de service technique au 888-885-9254.
2. En cas de découverte d'un défaut, toute blessure, tout dommage matériel et tout autre type de dommage qui en résultent, le cas échéant, seront mitigés de manière raisonnable et dans les limites possibles.
3. À sa discrétion, la Marque peut inspecter les produits à ses installations ou sur le terrain; et après étude d'une réclamation de garantie, peut à sa discrétion réparer ou remplacer les pièces défectueuses. La livraison des pièces réparées ou remplacées sera prépayée par la Marque.
4. Cette politique de garantie ne couvre pas de quelconques frais de main-d'oeuvre ou d'expédition. La Marque ne pourra pas être tenue responsable de tout coût ou frais associés au test, à la maintenance, à l'installation, à la réparation ou au retrait d'un produit, ou à tout outil ou équipement ou à toute fourniture nécessaires pour installer, réparer ou retirer un produit.

III. Restrictions applicables à cette Garantie limitée

CETTE GARANTIE NE S'APPLIQUE À AUCUN DES CAS SUIVANTS :

1. Tout produit qui n'est pas installé, appliqué, entretenu et utilisé conformément aux instructions publiées par la Marque, aux codes en vigueur, aux règlements applicables et aux normes généralement acceptées par l'industrie.
2. Tout produit qui a été soumis à une mauvaise utilisation ou application, à la négligence, à une altération, à un accident, à un abus, à du vandalisme, à des actes de la nature (y compris la foudre), à des actes terroristes, à des actes de guerre, au feu, à une installation ou à un entreposage inappropriés, à une utilisation inappropriée, à une maintenance ou à une réparation inappropriées, à des dommages et à des accidents, ou au dépassement des maximums recommandés dans les instructions du produit.
3. Tout produit qui est utilisé avec tout accessoire, équipement ou composant ou toute pièce qui ne sont pas explicitement approuvés par la Marque.
4. L'utilisation de pièces de rechange qui ne sont pas vendues par la Marque, l'ajout non autorisé de produits de tiers à d'autres produits de la Marque et l'altération non autorisée de produits de la Marque.
5. Produits endommagés par l'usure normale, les services de maintenance normale et les pièces utilisées avec de tels services, ou toute autre condition au-delà du contrôle de la Marque.
6. Tout produit qui a été utilisé à des fins autres que celles pour lesquelles il a été conçu et fabriqué.
7. Toute utilisation du produit alors que les instructions d'installation ou d'utilisation n'ont pas été respectées.
8. Les produits où l'orifice d'aspiration a été exposé à l'un des éléments suivants : sable, gravier, ciment, graisse, plâtre, boue, goudron, hydrocarbures, dérivés d'hydrocarbure (huile, essence, solvants, etc.), mastics d'allée ou d'autres substances abrasives ou corrosives.
9. Les produits dont la pompe a été utilisée pour pomper des liquides à une température supérieure à 140° F (60° C).
10. Les produits dont la pompe a fonctionné à vide (alimentation en fluide coupée).

La Marque se réserve le droit en tout temps, et de temps à autre, d'apporter des modifications à la conception ou des améliorations à ses produits, sans par ce fait même s'imposer de quelconques obligations d'effectuer des modifications ou améliorations correspondantes à ses produits déjà fabriqués ou vendus. La Marque se réserve également le droit de substituer des pièces ou des composants de qualité similaire dans le cadre de tout service de garantie exigé par l'exécution de cette Garantie limitée.

Cette Garantie limitée écrite constitue la garantie complète autorisée et offerte par la Marque. Il n'existe pas de garanties ou de déclarations autres que celles stipulées dans le présent document.

CETTE GARANTIE ET CES RECOURS REMPLACENT TOUTES LES AUTRES GARANTIES ET TOUS LES AUTRES RECOURS, Y COMPRIS SANS S'Y LIMITER, DES GARANTIES DE VALEUR MARCHANDE OU D'ADÉQUATION À UNE UTILISATION PARTICULIÈRE, QUI SONT PAR LA PRÉSENTE EXPLICITEMENT DÉCLINÉES ET EXCLUES. LA CORRECTION DE TOUTES LES NON-CONFORMITÉS, DE LA MANIÈRE ET POUR LA PÉRIODE ÉNONCÉES CI-DESSUS, CONSTITUERA L'EXÉCUTION COMPLÈTE DE TOUTES LES OBLIGATIONS DE LA MARQUE ENVERS L'ACHETEUR, QUE CELA SOIT FONDÉ SUR UN CONTRAT, LA NÉGLIGENCE OU AUTRE.

LA MARQUE NE POURRA PAS ÊTRE TENUE RESPONSABLE DES DOMMAGES ACCESSOIRES, INDIRECTS OU SPÉCIAUX TELS QUE, SANS S'Y LIMITER :

UN DOMMAGE OU LA PERTE DE TOUTE AUTRE PROPRIÉTÉ OU DE TOUT AUTRE ÉQUIPEMENT, LA PERTE DE JOUISSANCE D'UN ÉQUIPEMENT, D'INSTALLATIONS OU D'UN SERVICE, LA PERTE DE PROFITS OU DE VENTES, LE COÛT D'ACHATS OU DE BIENS DE REMPLACEMENT, LES RÉCLAMATIONS DE CLIENTS DE L'ACHETEUR, LE DÉFAUT D'AVERTIR OU DE FOURNIR DES INSTRUCTIONS, LA PERTE D'AUTRES PRODUITS OU LES COÛTS D'ASSAINISSEMENT ENVIRONNEMENTAL OU LA BAISSÉ DE LA VALEUR DE LA PROPRIÉTÉ. LES RECOURS DE L'ACHETEUR ÉNONCÉS DANS LA PRÉSENTE SONT EXCLUSIFS, ET LA RESPONSABILITÉ DE LA MARQUE NE POURRA PAS, SAUF MENTION EXPLICITE DANS LA PRÉSENTE, DÉPASSER LE PRIX DES PRODUITS AUXQUELS CETTE RESPONSABILITÉ S'APPLIQUE. LES DOMMAGES ÉNONCÉS DANS CE PARAGRAPHE SERONT MITIGÉS DE MANIÈRE RAISONNABLE ET DANS LES LIMITES POSSIBLES. CE PARAGRAPHE S'APPLIQUERA ÉGALEMENT À TOUS LES DOMMAGES CAUSÉS PAR DES CONDITIONS ÉNONCÉES DANS LA SECTION III CI-DESSUS ET (1) LES DÉFAUTS DANS LES PROTOTYPES DE PRODUITS OU LES PROTOTYPES DE PIÈCES DE REMPLACEMENT QUI N'ONT PAS ÉTÉ MIS EN PRODUCTION, DISTRIBUÉS ET VENDUS PAR LA MARQUE OU (2) LES DÉFAUTS QUI N'ONT PAS ÉTÉ DÉCOUVERTS AU MOMENT DE LA VENTE POUR DES RAISONS SCIENTIFIQUES OU TECHNOLOGIQUES.

Cette Garantie limitée vous confère des droits particuliers. Vous pourriez bénéficier d'autres droits, selon les lois et les règlements en vigueur. Lorsqu'une disposition de cette garantie est interdite par de telles lois, elle sera considérée comme nulle et non avenue, mais les autres dispositions de cette garantie demeureront pleinement applicables.

NON-RESPONSABILITÉ : Toute affirmation verbale à propos du produit effectuée par le vendeur, la Marque, les représentants ou d'autres parties ne constitue pas de garanties, ne doit pas être considérée par l'utilisateur et ne fait pas partie du contrat de vente. Les seules obligations du vendeur et de la Marque et les seuls recours de l'acheteur seront le remplacement ou la réparation du produit par la Marque comme décrit ci-dessus. Avant l'utilisation, l'utilisateur devra déterminer l'adéquation du produit avec l'usage auquel il est destiné; et l'utilisateur assume toutes les responsabilités et tous les risques liés à ce choix.



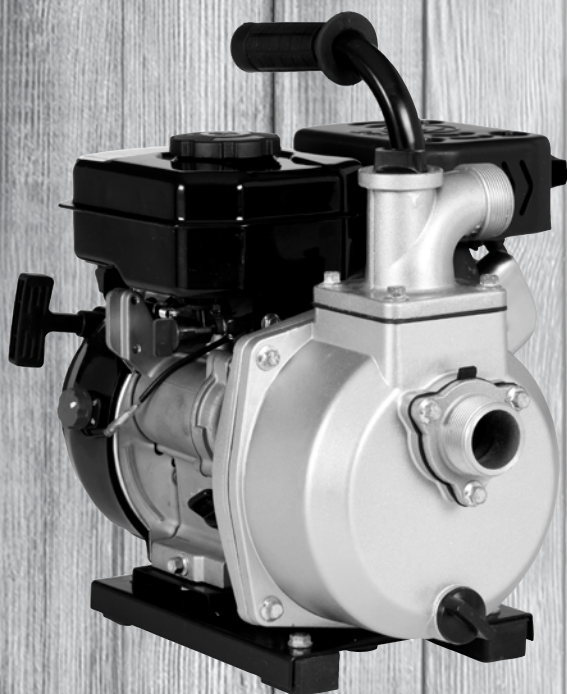


RED LION®

ES ESPAÑOL

BOMBA DE AGUA DE ALUMINIO A MOTOR 2RLAG-1L

Manual del propietario



ÍNDICE

Instrucciones sobre seguridad.....	2
Introducción	4
Uso	4
Especificaciones	4
Colocación de la bomba.....	5
Funcionamiento.....	5
Mantenimiento.....	7
Limpieza	7
Drenaje de la bomba.....	8
Transporte de la bomba.....	8
Almacenamiento	8
Solución de problemas.....	9
Piezas de recambio.....	10
Garantía limitada	11

INSTRUCCIONES SOBRE

SEGURIDAD

Mensajes de peligro

Este manual incluye precauciones de seguridad y otra información importante en los siguientes formatos:

PELIGRO

Indica una situación inminentemente peligrosa que, de no evitarse, provocará una muerte o lesiones graves.

ADVERTENCIA

Indica una situación potencialmente peligrosa que, de no evitarse, puede provocar una muerte o lesiones graves.

PRECAUCIÓN

Indica una situación potencialmente peligrosa que, de no evitarse, puede provocar lesiones menores o moderadas.

AVISO

Indica una situación potencialmente peligrosa que, de no evitarse, puede provocar daños al equipo u otros bienes.

IMPORTANTE: Identifica información que controla el ensamblaje y la operación correctos del producto.

NOTA: Identifica información útil o aclaratoria.



Este símbolo alerta al usuario sobre la presencia de un voltaje peligroso dentro del producto que podría provocar lesiones o descargas eléctricas.



Este símbolo alerta al usuario sobre la presencia de superficies calientes que podrían provocar incendios o lesiones personales.

Antes de empezar

La instalación y el mantenimiento de este equipo deben estar a cargo de personal con capacitación técnica. El hecho de no cumplir con los códigos eléctricos nacionales y locales y con las recomendaciones de Red Lion puede provocar peligros de descarga eléctrica o incendio, desempeños insatisfactorios o fallas del equipo.

Este producto incluye un manual del propietario del fabricante de la bomba y un manual del propietario del fabricante del motor. Lea y siga las instrucciones cuidadosamente para evitar lesiones y daños materiales. No desarme ni repare la unidad salvo que esté descrito en este manual. Si no se proporcionó alguno de los manuales, no instale ni opere el producto hasta haber obtenido y leído minuciosamente un manual de reemplazo.

Consulte las placas de características del producto para obtener instrucciones de operación y especificaciones adicionales.

El hecho de no seguir los procedimientos de instalación/operación y todos los códigos aplicables puede ocasionar los siguientes peligros:

PELIGRO

Riesgo de muerte, lesiones personales o daños materiales.

- No usar para bombear líquidos inflamables o explosivos como gasolina, fueloil, kerosene, etc.
- No usar en atmósferas explosivas ni lugares peligrosos según la clasificación de la NEC, ANSI/NFPA70.
- Cuando esté operando, el motor de esta bomba produce monóxido de carbono, un gas inodoro, incoloro y venenoso que puede causar asfixia y matarlo en minutos. El hecho de respirar monóxido de carbono puede provocar náuseas, desmayos o muerte. Opere esta bomba **SOLO** en exteriores, en un área bien ventilada. No opere la bomba dentro de edificios, en áreas confinadas como túneles o zanjas, o en áreas cerradas como sótanos, garajes o lugares parecidos, ni siquiera si las puertas y ventanas están abiertas.

PRECAUCIÓN

Riesgo de lesiones corporales o daños al equipo.

- Este equipo no deben usarlo niños ni personas con capacidades físicas, sensoriales o mentales reducidas, ni aquellos que carezcan de experiencia y capacitación, salvo que estén bajo supervisión o instrucción. Los niños no podrán usar el equipo ni jugar con la unidad o en las cercanías inmediatas.
- No use esta bomba para bombear líquidos pensados para consumo humano.
- La operación de este equipo exige instrucciones detalladas para su instalación y operación que se encuentran en este manual para su uso con este producto.
- Lea la totalidad del manual antes de comenzar la instalación y la operación.
- Mantenga el área de trabajo limpia, bien iluminada y ordenada.
- Mantenga las etiquetas de seguridad limpias y en buenas condiciones.
- No use vestimenta suelta, joyas ni nada que pueda quedar atrapado en las piezas giratorias. Átese el cabello largo y quítese las joyas.
- Use los siguientes Equipos de Protección Personal (PPE, por su sigla en inglés) mientras instale, opere o realice el mantenimiento de esta bomba:
 - Vestimenta de trabajo ceñida que no obstaculice sus movimientos
 - Gafas de seguridad con cubiertas laterales
 - Protección auditiva
 - Calzado con punta de metal.

Precauciones específicas al producto

Compañías de alquiler y propietarios privados que alquilen o presten esta bomba a otros: Todas las personas a quienes alquile o preste esta bomba deben tener acceso a los manuales del propietario del producto y leerlos. Mantenga los manuales junto a la bomba en todo momento y aconseje a todas las personas que vaya a operar la bomba que los lean. También debe ofrecer instrucciones personales sobre cómo operar la bomba de manera segura, y debe estar disponible para responder cualquier pregunta que pueda tener la persona que alquila o recibe prestada la bomba.

⚠️ ADVERTENCIA

Riesgo de lesiones graves o muerte.

- Los motores de combustión interna presentan peligros especiales durante su operación y carga de combustible. El hecho de no respetar todas las advertencias y pautas de seguridad puede ocasionar lesiones graves o la muerte. Consulte y respete todas las instrucciones en el manual del propietario del fabricante del motor, así como también todas las instrucciones en este manual.
- No intente poner en marcha el motor sin la bujía colocada. Las chispas no intencionales pueden provocar fuego o descargas eléctricas. Asegúrese de que la bujía, el silenciador, la tapa de combustible y el filtro de aire estén en sus lugares.
- No usar en equipos móviles o aplicaciones marítimas.
- Si se derrama combustible, no ponga en marcha el motor ni genere otra fuente de encendido hasta que se evapore o se limpie el combustible y que se hayan disipado todos los vapores del combustible.

⚠️ PRECAUCIÓN

Riesgo de lesiones corporales o daños al equipo.

- La retracción rápida (retroceso) de la cuerda de arranque puede jalar de su mano y brazo hacia el motor más rápido de lo que usted tarde en soltarla. Eso puede provocar huesos rotos, fracturas, contusiones o esguinces. Para minimizar los casos de retroceso, jale de la cuerda de arranque lentamente hasta sentir resistencia; luego, jale rápidamente para poner en marcha el motor.
- No use esta bomba para bombear líquidos pensados para consumo humano.
- No modifique la bomba de ninguna manera. Use la bomba únicamente para los usos previstos.
- Evite los gases de escape calientes y no toque las superficies calientes.
- No incline la bomba en ángulos que hagan que se derrame el combustible.
- Jamás ponga en marcha u opere una bomba que sepa o sospeche esté dañada, defectuosa o con fallas.

AVISO

Riesgo de daños al equipo u otros bienes.

- El Título 36 del Código de Regulaciones Federales (Code of Federal Regulation, CFR), "Parques, bosques y bienes públicos", exige que los equipos impulsados por un motor de combustión interna tengan una protección contra chispas, que se mantenga en condiciones de operación eficientes, para cumplir el estándar 5100-1C del Servicio Forestal del Departamento de Agricultura de los EE. UU., o una revisión posterior. En el Estado de California, la sección 4442 del código de recursos públicos de California exige el uso de una protección contra chispas. Es posible que existan leyes similares en otros estados.
- No use esta bomba para bombear agua de mar, bebidas, ácidos, soluciones químicas u otros líquidos que provoquen corrosión, ya que eso puede dañar la bomba.

INTRODUCCIÓN

Se trata de una bomba de transferencia accionada por motor para uso en aplicaciones generales de desagüe y es adecuada para bombear agua limpia. No use la bomba en contacto con aguas residuales, otros residuos (grava, arena, residuos flotantes, etc.) o elementos corrosivos.

Esta hoja de instrucciones le proporciona la información necesaria para poseer y operar el producto de manera segura. Conserve estas instrucciones para consultarlas en el futuro. El producto que compró tiene una mano de obra y materiales de la más alta calidad y se diseñó para ofrecerle un servicio confiable y duradero. Este producto pasa por un proceso exhaustivo de pruebas, inspección y embalaje para garantizar una entrega y un funcionamiento seguros. Examine los artículos cuidadosamente para garantizar que no hayan sufrido daños durante el envío. Si ha sufrido daños, comuníquese con el lugar donde lo compró. Recibirá ayuda para efectuar reemplazos o reparaciones, en caso de ser necesario.

USO

Use esta bomba solo para agua, donde la altura de aspiración vertical desde el nivel del agua sea de 25 pies (8 metros) o menos. No exceda la altura de aspiración máxima. “Altura” se refiere a la altura de una columna de agua que puede ser liberada por la descarga de la bomba (Figura 1). La altura de aspiración (o la elevación de aspiración) es la distancia vertical entre el centro de la bomba y la superficie del líquido en el lado de aspiración de la bomba. La altura de descarga es la distancia vertical entre el puerto de descarga de la bomba y el punto de descarga. La altura total es la suma de la altura de aspiración y la altura de descarga. Se deben tener en cuenta la elevación sobre el nivel del mar y las pérdidas por fricción.

ESPECIFICACIONES

Modelo	2RLAG-1L
Motor	OHV de cuatro tiempos, refrigerado po aire, 79cm ³
Rendimiento	2.1 HP a 3600 rpm
Tipo de combustible	Consulte el manual del propietario del fabricante del motor
Tipo de aceite	Consulte el manual del propietario del fabricante del motor
Apagado	79 pies (24.1 m)
Altura de aspiración (máx.)	25 pies (7.6 m)
Tamaño del acceso	1.5 pulg. MNPT (3.8 cm)
Tamaño de descarga	1.5 pulg. MNPT (3.8 cm)
Flujo máximo	60 gpm (227 lpm)
Peso	43 Lb (19.5 kg)
Altura	17.75 pulg. (45.1 cm)
Ancho	14 pulg. (35.6 cm)
Longitud	20.75 pulg. (52.7 cm)

COLOCACIÓN DE LA BOMBA

⚠ PRECAUCIÓN

Riesgo de lesiones o daños materiales causados por fuego.

- La bomba debe estar al menos a 5 pies de estructuras con paredes combustibles u otros materiales combustibles como hojas, césped y matorrales.
- El calor reflexivo del escape puede dañar el tanque de combustible, lo que provocará un incendio. Mantenga al menos 3 pies de distancia alrededor de todos los lados de la bomba para permitir el enfriamiento correcto, mantenimiento y provisión de servicios.

1. Ubique la bomba al aire libre, en un lugar bien ventilado sobre una superficie plana y nivelada.
2. Coloque la bomba sobre una base rígida y nivelada para evitar que la bomba de inclinación, balanceo, desplazamiento o arrastramiento durante la operación. Si la bomba no es estable, el peso de las mangueras de líquido podría causar la unidad se volcara.
3. Utilice una manguera no plegable en el lado de aspiración de la bomba y mantenga la manguera de aspiración lo más corta posible. Si la manguera de aspiración está aplastada, doblada, obstruida o es larga, reducirá el rendimiento de cebado y bombeo y puede contribuir a la pérdida de cebado que puede causar un sobrecalentamiento de la bomba.
4. Utilice una manguera de aspiración del mismo tamaño que el puerto de aspiración de la bomba. Si la manguera de aspiración es larga, use un tamaño mayor para mejorar el flujo.
5. Incline la manguera de aspiración hacia arriba de la bomba para evitar bolsas de aire en la manguera y el cebado fuerte.
6. Si la manguera de aspiración está orientada verticalmente, use un codo en la conexión de la manguera de aspiración a la bomba para evitar que se doble.
7. Mantenga la manguera de descarga lo más corta posible para permitir que la bomba tenga la mayor salida.
8. Utilice compuesto de rosca en todas las juntas de la tubería y abrazaderas dobles en todas las juntas de la manguera. Las conexiones deben ser herméticas.
9. En el extremo de la manguera de aspiración, se debe instalar una cesta de filtro para filtrar los desechos y los abrasivos. Nunca opere la bomba sin la cesta del filtro instalada.
10. Coloque el extremo de la manguera de descarga donde desee descargar el agua que bombeará. Asegure/ancle la manguera de descarga para evitar azotes.

IMPORTANTE: Una de las principales causas de los problemas de bombeo es una filtración en la línea de aspiración. Incluso una filtración muy pequeña reducirá el rendimiento de cebado y bombeo en gran medida.

FUNCIONAMIENTO

Preparación del motor

Consulte y siga las instrucciones del fabricante del motor para preparar el motor antes de operar, por ejemplo, nivel de aceite, filtro de aire, nivel de combustible, etc.

⚠ ADVERTENCIA

Riesgo de lesiones graves o muerte.

- El combustible y sus vapores son sumamente inflamables y explosivos. El fuego o las explosiones pueden provocar quemaduras graves o muerte. No cargue combustible en interiores. No cargue combustible cuando el motor esté en marcha o caliente. No encienda cigarrillos ni fume mientras carga combustible. Mantenga el combustible lejos de estufas, hornos, calentadores de agua, secadoras u otros electrodomésticos que tengan una llama de encendido u otra fuente de ignición (calor, llama, chispas, cigarrillos encendidos, etc.) ya que pueden inflamar los vapores del combustible.
- Cuando cargue combustible, asegúrese de que la bomba se encuentre en exteriores sobre una superficie plana y nivelada. No cargue combustible a bombas en interiores. Apague la bomba y deje que se enfríe al menos 2 minutos antes de quitar la tapa de combustible. Afloje la tapa lentamente para liberar la presión en el tanque. Consulte las instrucciones del fabricante del motor para conocer sus recomendaciones en cuanto a tipo de combustible y el procedimiento correcto para cargar combustible.
- Si se derrama combustible, no ponga en marcha el motor ni genere otra fuente de encendido hasta que se evapore o se limpie el combustible y que se hayan disipado todos los vapores del combustible.

AVISO

Riesgo de daños al equipo.

- No intente poner en marcha el motor antes de haberlo llenado correctamente con el tipo y la cantidad de aceite recomendados. El hecho de no respetar estas instrucciones anulará la garantía y dañará el motor. Consulte las instrucciones del fabricante del motor sobre el tipo de aceite y el procedimiento correcto para cargar aceite. Revise el nivel de aceite del motor antes de cada uso y agregue aceite según sea necesario.

Cebado de la bomba

AVISO

Riesgo de daños al equipo.

- No opere la bomba sin cebarla. Se necesita agua para lubricar el sello de la bomba. Si opera la bomba en seco dañará permanentemente el sello de la bomba. Asegúrese de que la carcasa de la bomba esté completamente llena con agua antes de poner en marcha el motor.

1. Quite el tapón de cebado.
2. Llene por completo la carcasa de la bomba con agua.
3. Vuelva a colocar el tapón de cebado y apriete con firmeza.

NOTA: Si la bomba está por debajo del nivel de agua que se bombea (aspiración inundada), la bomba se llenará automáticamente cuando las válvulas estén abiertas.

Funcionamiento de la bomba

AVISO

Riesgo de daños al equipo.

- No deje que esta bomba opere sin vigilancia. Si abandona la bomba por algún motivo, apague el motor.
- No permita que vehículos pasen sobre las mangueras de succión o de descarga. Si debe atravesar un camino con una manguera, use tablas a cada lado de la manguera para protegerla y permitir que los vehículos pasen sin tajarla o colapsarla. Pasar sobre una manguera de descarga sin protección mientras la bomba está operando puede dañar la carcasa de la bomba.

1. Asegúrese de que la bomba esté sobre una superficie plana y nivelada.
2. No bloquee ni restrinja las mangueras de entrada o de descarga. Retire las torceduras de las mangueras de entrada y de descarga antes de poner en marcha la bomba. El funcionamiento con una manguera de entrada o de descarga bloqueada puede hacer que el agua dentro de la bomba se sobrecaliente.
3. Consulte las instrucciones del fabricante del motor para conocer el procedimiento adecuado para arrancar y detener el motor.
4. En una situación de aspiración inundada, la bomba descargará agua casi inmediatamente. Si la manguera de aspiración está por encima del nivel de agua que se bombea, tardará unos minutos en levantar el agua hasta la carcasa de la bomba y luego descargarla. Si la manguera de aspiración es larga, la bomba puede sobrecalentarse antes de que el agua de la manguera de aspiración llegue a la bomba. Si esto ocurre:
 - a) Apague el motor y retire el tapón de drenaje y el tapón de cebado para drenar la carcasa de la bomba.
 - b) Espere unos minutos para que el sello de la carcasa de la bomba se enfríe. Si la carcasa recalentada se llena mientras está caliente, se producirán daños en el sello.
 - c) Vuelva a colocar el tapón de drenaje y rellene la carcasa con agua.
 - d) Vuelva a colocar el tapón de cebado y apriete con firmeza.
 - e) Reinicie el motor siguiendo las instrucciones del fabricante del motor.
5. Si la bomba no funciona como se especifica, revise con atención las secciones de Instalación, Mantenimiento y Solución de problemas.
6. Cuando finalice el bombeo, apague el motor siguiendo las instrucciones del fabricante del motor.
7. Deje que la unidad se enfríe por completo.
8. Después del enfriamiento, retire el tapón de cebado y el tapón de drenaje de la carcasa de la bomba y permita que drene por completo.

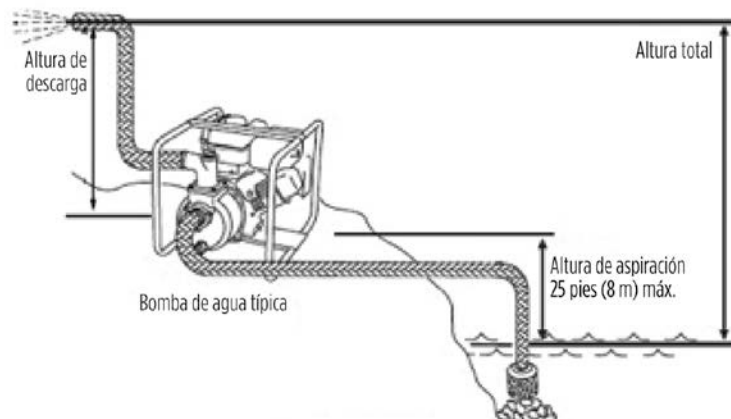


FIGURA 1

MANTENIMIENTO

⚠️ ADVERTENCIA

Riesgo de lesiones graves o daños materiales causados por fuego o proyectiles.

- Jamás ponga en marcha u opere una bomba que sepa o sospeche esté dañada, defectuosa o con fallas.
- No realice ajustes ni reparaciones a la bomba o al motor mientras el motor está operando.
- Complete todas las tareas de mantenimiento programadas en forma oportuna y conforme a las recomendaciones del fabricante. Corrija cualquier inconveniente antes de operar la bomba. El mantenimiento inadecuado anulará la garantía de la bomba.

Los propietarios capacitados y experimentados o los concesionarios certificados deben realizar un mantenimiento preventivo y una inspección previa a la operación antes de cada uso.

¡Una bomba mal mantenida puede convertirse en un peligro para la seguridad! Para que la bomba funcione de manera segura y adecuada durante todo el ciclo de vida del producto, es necesario un mantenimiento periódico y reparaciones ocasionales.

1. Consulte y siga las instrucciones del manual del propietario del motor para conocer el mantenimiento recomendado del motor.
2. Apague el motor.
3. Deje que la unidad se enfríe por completo.
4. Para evitar un arranque accidental, retire y ponga a tierra el cable de la bujía antes de realizar cualquier servicio.
5. Compruebe si hay tuercas, pernos y accesorios sueltos y vuelva a ajustar según sea necesario.
6. Compruebe que el motor, la bomba y sus componentes no estén dañados. Si hay daños visibles, no haga funcionar el motor ni la bomba! Comuníquese de inmediato con el fabricante del motor o de la bomba para obtener ayuda.
7. Compruebe si hay filtraciones de aceite o combustible en el motor. ¡Si se encuentra una filtración, no haga funcionar el motor! Comuníquese de inmediato con el fabricante del motor para obtener ayuda.
8. Inspeccione las filtraciones de agua entre la bomba y el motor, así como todas las demás interfaces de sellado y realice el mantenimiento según sea necesario. Si hay filtraciones de agua, el sello dentro de la bomba estará desgastado o dañado. El funcionamiento continuo puede causar daños por agua al motor.
9. Inspeccione los soportes del motor y de la bomba para ver si están dañados y reemplácelos según sea necesario.
10. Limpie la bomba según la sección "Limpieza de la bomba" de este manual.

LIMPIEZA

⚠️ PRECAUCIÓN

Riesgo de lesiones o daños al equipo.

- No quite el tapón de cebado, el tapón de drenaje, la carcasa de la bomba o el conducto de acceso, ni descargue los accesorios de las mangueras cuando la bomba está caliente. El agua caliente o el vapor dentro de la bomba podrían estar presurizados.
- No rocíe el motor con agua. El agua puede contaminar el sistema de suministro de combustible.

Limpie el interior de la carcasa de la bomba después de cada uso.

1. Deje que la unidad se enfríe por completo.
2. Después de que la unidad se haya enfriado, retire el tapón de drenaje y el tapón de cebado de la carcasa de la bomba y drene el agua que queda en la bomba.
3. Retire los (4) pernos que aseguran la carcasa de la bomba y guárdelos para volver a usarlos. Retire la carcasa de la bomba.
4. Quite el inserto de voluta.
5. Limpie la suciedad y los desechos.
6. Inspeccione el impulsor y el inserto de voluta para ver si están desgastados. Se pueden crear bordes afilados en el impulsor después del uso. Tenga cuidado al limpiar alrededor del impulsor para evitar cortarse. Reemplace el impulsor o el inserto de voluta si el desgaste es significativo.
7. Después de la limpieza, la inspección y los reemplazos necesarios, vuelva a instalar el inserto de voluta, la carcasa de la bomba (utilizando los pernos extraídos anteriormente), el tapón de drenaje y el tapón de cebado.

DRENAJE DE LA BOMBA

⚠ PRECAUCIÓN

Riesgo de lesiones o daños al equipo.

- No quite el tapón de cebado, el tapón de drenaje, la carcasa de la bomba o el conducto de acceso, ni descargue los accesorios de las mangueras cuando la bomba está caliente. El agua caliente o el vapor dentro de la bomba podrían estar presurizados.

Si la bomba está sometida a temperaturas de congelación, se debe drenar por completo el agua de la carcasa de la bomba para evitar daños por congelación.

1. Deje que la unidad se enfríe por completo.
2. Después de que la unidad se haya enfriado, retire el tapón de drenaje y el tapón de cebado de la carcasa de la bomba y drene el agua que queda en la bomba.
3. Controle que las líneas de aspiración y descarga estén libres de agua.
4. Después de drenar, vuelva a instalar el tapón de drenaje y el tapón de cebado.

TRANSPORTE DE LA BOMBA

1. Deje que la unidad se enfríe por completo.
2. Vacíe el depósito de combustible o cierre la válvula de combustible.
3. Desconecte el cable de la bujía y coloque el cable donde no pueda entrar en contacto con el enchufe.
4. Asegúrese de que la bomba se mantenga nivelada para reducir la posibilidad de filtraciones de aceite o combustible.
5. Verifique que la bomba esté asegurada con firmeza al vehículo de transporte para evitar que se deslice o se incline.
6. No ponga gasolina en la bomba cuando esté en el vehículo de transporte. Traslade la bomba a su lugar de operación y, luego, llene el tanque de combustible.

ALMACENAMIENTO

⚠ PRECAUCIÓN

Riesgo de lesiones graves o muerte.

- No quite el tapón de cebado, el tapón de drenaje, la carcasa de la bomba o el conducto de acceso, ni descargue los accesorios de las mangueras cuando la bomba está caliente. El agua caliente o el vapor dentro de la bomba podrían estar presurizados.
- Almacene la bomba en un área bien ventilada y lejos de estufas, hornos, calentadores de agua, secadoras u otros electrodomésticos que tengan una llama de encendido u otra fuente de ignición (calor, llama, chispas, etc.) ya que pueden inflamar los vapores del combustible.

Si la bomba se almacena durante más de 30 días:

1. Deje que la unidad se enfríe por completo.
2. Después de que la unidad se haya enfriado, retire el tapón de drenaje y el tapón de cebado de la carcasa de la bomba y drene el agua que queda en la bomba.
3. Limpie el interior de la carcasa de la bomba según la sección “Limpieza” de este manual.
4. Cubra el interior de la bomba con una película ligera de aceite para reducir la corrosión.
5. Enciente los puertos de aspiración y descarga para evitar que entre algún elemento por accidente en la bomba.
6. Consulte y siga las instrucciones del manual del propietario del motor para ver el almacenamiento del motor.
7. Cubra la bomba y el motor y guárdelos en un área limpia y seca.

Solución de problemas

Problemas	Causas	Soluciones
La bomba no bombea.	Hay una fuga de aire en la manguera de aspiración.	Asegúrese de que la manguera de aspiración tenga doble sujeción en las juntas, las abrazaderas estén apretadas, los accesorios tengan rosca y estén ajustados y no haya muescas ni cortes en la manguera.
	Las mangueras de aspiración o descarga pueden estar obstruidas, o las válvulas están cerradas, defectuosas o bloqueadas.	Compruebe que las mangueras y las válvulas estén en buen estado de funcionamiento.
	El extremo de la manguera de aspiración no está sumergido.	El extremo de la manguera de aspiración debe sumergirse.
	La altura total es demasiado alta para que esta bomba funcione.	Reduzca la altura total o utilice una bomba de altura más alta.
La bomba no ceba.	La elevación de aspiración es excesiva (*1).	Mueva la bomba más cerca de la fuente de líquido.
El cebado toma mucho tiempo.	La manguera de aspiración es muy larga.	Consulte la sección COLOCACIÓN DE LA BOMBA.
	Hay bolsas de aire o filtraciones en la manguera de aspiración.	Revise la manguera para ver si hay conexiones sueltas.
La bomba no funciona tan bien como debería.	Causas del flujo restringido: a) Acumulación de escombros b) Válvulas defectuosas o semiabiertas c) Tamaño del tubo o de la manguera utilizados más pequeño que el tamaño de rosca de la bomba	a) Limpie las mangueras y los accesorios. b) Compruebe que las válvulas estén en buen estado de funcionamiento. c) Aumente el tamaño de la manguera o de la tubería para reducir las pérdidas por fricción.
	La sumersión del extremo de la manguera de aspiración es insuficiente.	El extremo de la manguera de aspiración debe sumergirse.
	El impulsor está excesivamente gastado (*2).	Reemplace el impulsor.
	El sello está dañado (*3). El líquido se filtrará a través del centro del adaptador.	Reemplace el sello.
	Hay bolsas de aire o filtraciones en la manguera de aspiración.	Revise la manguera para ver si hay conexiones sueltas.
	El impulsor está obstruido.	Retire la carcasa para limpiarlo.
	El acelerador del motor está en posición LENTA.	Mueva el acelerador a la posición RÁPIDA.
La bomba pierde el cebado.	El nivel del agua desciende por debajo del extremo de la manguera de aspiración.	El extremo de la manguera de aspiración debe sumergirse.
La bomba no arranca.	No tiene combustible.	Agregue combustible según las instrucciones del fabricante del motor.
	La bujía está defectuosa.	Cambie la bujía.
	La palanca de la válvula de combustible está en la posición de apagado.	Gire la palanca de la válvula de combustible a la posición de encendido.
	El interruptor de encendido está en la posición de apagado.	Gire el interruptor de encendido a la posición de encendido.
	El estrangulador está en la posición incorrecta.	Deslice la palanca del estrangulador a la posición de inicio.
La bomba arranca, pero no funciona bien.	El estrangulador está en la posición incorrecta.	Deslice la palanca del estrangulador a la posición de funcionamiento.
	El cable de la bujía está suelto.	Conecte el cable a la bujía de forma segura.
	La bujía está defectuosa.	Cambie la bujía.
	El combustible está contaminado (agua, escombros, etc.).	Deje enfriar el motor durante 2 minutos, luego vacíe el depósito de combustible y el carburador. Llene el tanque con combustible nuevo.
	El nivel de aceite es bajo.	Agregue aceite según las instrucciones del fabricante del motor.
La bomba se apaga durante el funcionamiento.	No tiene combustible.	Agregue combustible según las instrucciones del fabricante del motor.
	El nivel de aceite es bajo.	Agregue aceite según las instrucciones del fabricante del motor.

*1. La elevación de aspiración excesiva debe tener en cuenta:

- a. Tamaño y longitud de la tubería:
- b. Instalación de tuberías
- c. Elevación sobre el nivel del mar

Incluyendo todo lo anterior, recomendamos que la altura de aspiración total no supere los 25 pies (8 m).

*2. El impulsor se desgasta mucho principalmente por la cavitación, que es causada por varias situaciones, tales como:

- a. Aspiración limitada
- b. Elevación de aspiración excesiva

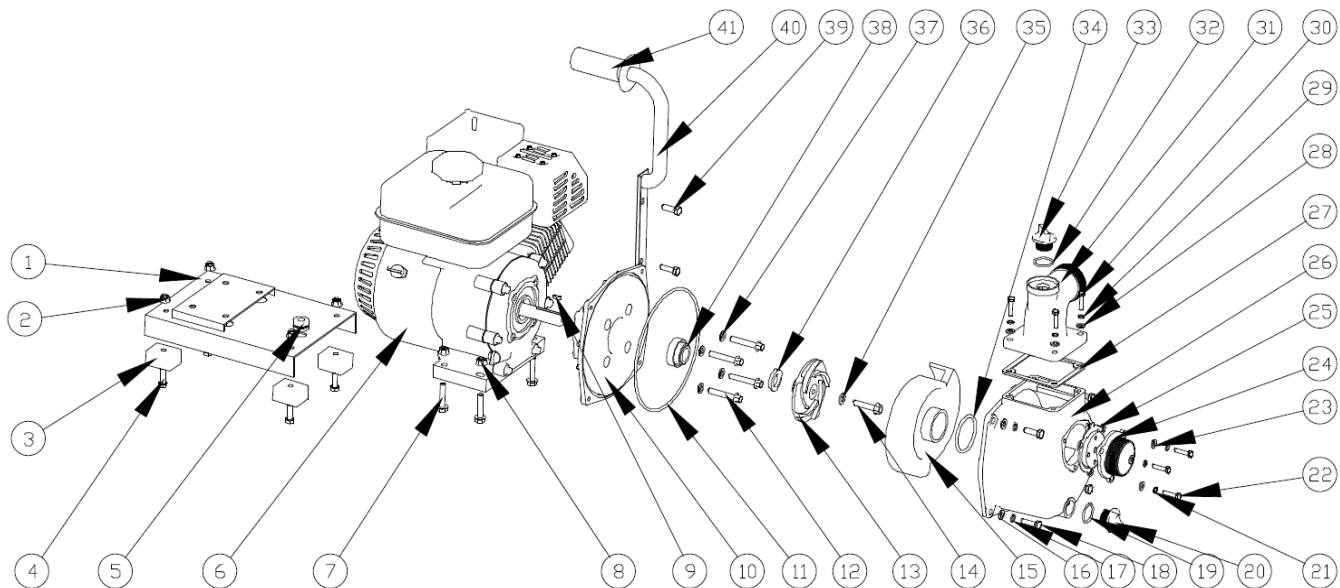
*3. Causas de daños en el sello:

- a. Desgaste normal
- b. Calentamiento excesivo
- c. Bombeo de productos químicos o abrasivos para los que este sello no está diseñado

Asistencia técnica para el funcionamiento de la bomba, llame al 1.888.885.9254. Ayuda con componentes del motor, consulte el manual del motor o póngase en contacto con un depósito de LCT® motor servicio autorizado para obtener asistencia. Para más información visite www.lctusa.com/service/

LCT® es una marca registrada de Liquid Combustion Technology, LLC.

PIEZAS DE RECAMBIO



Artículo	Descripción	Contenidos
617300	2RLAG-1L Kit de reparación menor	11, 34, 35, 36, 37, 38
617310	2RLAG-1L Kit de reparación mayor	9, 11, 13, 14, 15, 34, 35, 36, 37, 38
617320	2RLAG-1L Kit de estuche	10, 11, 12, 16, 17, 18, 26, 37
617330	2RLAG-1L Kit de accesorio	32, 33
617340	2RLAG-1L Kit de brida de succión y descarga	24, 25, 27, 28, 29, 30, 31, 32, 33
617350	2RLAG-1L Asamblea de base de mango	1, 2, 3, 4, 5, 7, 8, 39, 40, 41

GARANTÍA LIMITADA

ESTA GARANTÍA ESTABLECE LA OBLIGACIÓN ÚNICA DE LA MARCA Y LA COMPENSACIÓN EXCLUSIVA AL COMPRADOR POR UN PRODUCTO DEFECTUOSO.

Motor y sistema de control de emisiones (ECS): La marca de Red Lion® (denominada de ahora en adelante “la Marca”) no son responsables del sistema de control de emisiones (Emissions Control System, ECS) ni de los componentes relacionados. Consulte el manual de instrucciones del fabricante del motor para obtener información detallada sobre las garantías del motor y del ECS. Siga las instrucciones del manual del propietario del fabricante del motor para obtener servicio de garantía para el motor o los componentes relacionados con el motor.

La Marca garantiza que los productos acompañados por esta garantía están libres de defectos de materiales o mano de obra de la Marca al momento de la venta por parte de la Marca y que se produzcan o existan dentro del período correspondiente de la garantía. Todo distribuidor, subdistribuidor, receptor, usuario final o consumidor está de acuerdo con que, al aceptar la recepción de los productos, el distribuidor, subdistribuidor, receptor, usuario final o consumidor también acepta expresamente regirse por los términos de la garantía que aquí se establecen.

I. Período de vigencia de la garantía

Los productos acompañados por esta garantía tendrán cobertura en virtud de esta Garantía limitada durante un período de 24 meses desde la fecha de compra original del consumidor. Si no existiera una prueba fehaciente de la fecha de compra, el período de garantía de este producto comenzará desde su fecha de fabricación.

II. Instrucciones que se aplican a esta Garantía limitada

1. Los consumidores que deseen presentar un reclamo de garantía deben llamar a la línea de servicio en 888-885-9254.
2. Si se descubre un defecto, toda lesión, daño a la propiedad u otro tipo de daño resultante, si corresponde, se mitigará razonablemente en la medida que sea posible.
3. A su criterio, la Empresa puede inspeccionar los productos en sus instalaciones o en el campo y, después de la determinación de un reclamo de garantía, la Marca reparará o reemplazará las piezas defectuosas según su elección. Las piezas reparadas o reemplazadas se devolverán con el flete prepago por la Marca.
4. Esta política de garantía no cubre gastos de trabajo ni envío. La Marca no será responsable de los costos o gastos que se atribuyan a las pruebas, el mantenimiento, la instalación, la reparación o la remoción de productos, ni de las herramientas, los suministros o los equipos que se necesiten para instalar, reparar o retirar productos.

III. Limitaciones que se aplican a esta Garantía Limitada

ESTA GARANTÍA NO SE APLICA A NINGUNO DE LOS SIGUIENTES ELEMENTOS:

1. Todo producto que no se instale, aplique, mantenga y use de conformidad con las instrucciones publicadas por la Marca, las regulaciones vigentes, las ordenanzas vigentes o los estándares industriales aceptados.
2. Todo producto que haya sido sujeto a un uso incorrecto, aplicación incorrecta, alteración, accidente, abuso, manipulación, sucesos de fuerza mayor (incluidas descargas eléctricas), actos de terrorismo, actos de guerra, fuego, almacenamiento o instalación incorrectos, daños o siniestros, o a un exceso de los valores máximos recomendados que se establecen en las instrucciones del producto.
3. Todo producto que se opere con cualquier accesorio, equipo, componente o pieza que no esté específicamente aprobado por la Marca.
4. El uso de piezas de reemplazo que no venda la Marca, la incorporación no autorizada de productos que no sean de la Marca a otros productos de la Marca y la modificación no autorizada de productos de la Marca.
5. Productos dañados por el desgaste normal, servicios habituales de mantenimiento y las piezas usadas en relación con dicho servicio, o cualquier otra condición más allá del control de la Marca.
6. Todo producto que haya sido utilizado para otros propósitos, distintos de aquellos para los que fue diseñado y fabricado.
7. Todo uso del producto en el que no se hayan respetado las instrucciones de instalación o las instrucciones de uso.
8. Los productos en que el puerto de la succión fue expuesto a cualquiera de los siguientes elementos: arena, grava, cemento, grasa, yeso, lodo, alquitrán, hidrocarburos, derivados de hidrocarburos (aceite, gasolina, disolventes, etc.), selladores de calzada u otras sustancias abrasivas o corrosivas.
9. Productos en que la bomba se haya utilizado para el bombeo de líquidos por encima de 140° F (60° C).
10. Productos en que se haya permitido que la bomba opere en seco (suministro de fluidos cortado).

La Marca se reserva el derecho a, en cualquier momento y con cualquier frecuencia, efectuar cambios en el diseño o mejoras de este producto, sin que esto constituya una obligación en sí misma para efectuar los cambios o las mejoras correspondientes en los productos que ya fabricó o que vendió anteriormente. La Marca también se reserva el derecho a sustituir piezas o componentes de sustancialmente igual calidad en cualquier servicio de garantía que se requiera en virtud de la operación de esta Garantía limitada.

Esta Garantía limitada escrita constituye toda garantía que la Marca autoriza y ofrece. No existen garantías ni manifestaciones más allá de las que se expresan en este documento.

ESTA GARANTÍA Y SOLUCIÓN REEMPLAZAN A CUALQUIER OTRA GARANTÍA Y SOLUCIÓN, INCLUIDAS, SIN LIMITACIÓN, GARANTÍAS DE COMERCIALIZACIÓN Y ADAPTACIÓN PARA UN FIN EN PARTICULAR, QUE POR EL PRESENTE SE NIEGAN ESPECÍFICAMENTE Y SE EXCLUYEN DE MANERA EXPRESA. LAS MEDIDAS CORRECTIVAS PARA SUBSANAR INCONFORMIDADES, DE LA MANERA Y DURANTE EL PLAZO QUE SE ESTABLECEN ANTERIORMENTE, CONSTITUIRÁN EL CUMPLIMIENTO DE TODA RESPONSABILIDAD DE LA EMPRESA HACIA EL COMPRADOR, YA SEA SEGÚN CONTRATO, NEGLIGENCIA O DE OTRO MODO.

LA EMPRESA NO SERÁ RESPONSABLE DE DAÑOS INCIDENTALES, CONSECUENTES O ESPECIALES, COMO LOS SIGUIENTES, SIN LIMITACIÓN:

DAÑO O PÉRDIDA DE OTRAS PROPIEDADES O EQUIPOS, PÉRDIDA DEL USO DE EQUIPOS, INSTALACIONES O SERVICIOS, PÉRDIDA DE GANANCIAS O VENTAS, COSTO DE COMPRAS O BIENES DE REEMPLAZO, RECLAMOS DE CLIENTES DEL COMPRADOR, AUSENCIA DE ADVERTENCIAS O INSTRUCCIONES, PÉRDIDA DE OTROS PRODUCTOS O COSTOS DE REHABILITACIÓN AMBIENTAL O DISMINUCIÓN DEL VALOR DE LA PROPIEDAD. LAS SOLUCIONES DEL COMPRADOR QUE AQUÍ SE ESTABLECEN SON EXCLUSIVAS Y LA RESPONSABILIDAD DE LA MARCA, A MENOS QUE AQUÍ SE DISPONGA EXPRESAMENTE, NO SUPERARÁ EL PRECIO DE LOS PRODUCTOS EN LOS QUE SE BASA DICHA RESPONSABILIDAD. LOS DAÑOS ESTABLECIDOS EN ESTE PÁRRAFO SE MITIGARÁN RAZONABLEMENTE EN LA MEDIDA QUE SEA POSIBLE. ESTE PÁRRAFO TAMBIÉN SE APLICARÁ A TODOS LOS DAÑOS QUE SE PRODUZCAN POR LAS CONDICIONES ESTABLECIDAS EN LA SECCIÓN III ANTERIOR Y (1) A LOS DEFECTOS EN PROTOTIPOS DE PRODUCTOS O PROTOTIPOS DE PIEZAS DE REEMPLAZO QUE LA MARCA NO HAYA PUESTO EN PRODUCCIÓN, CIRCULADO O VENDIDO, O (2) DEFECTOS QUE NO SE ENCONTRARON AL MOMENTO DE VENTA DEBIDO A MOTIVOS CIENTÍFICOS Y TECNOLÓGICOS.

Esta Garantía limitada le brinda derechos legales específicos. Es posible que tenga otros derechos, que pueden variar según las leyes y normas vigentes. Si algún término de esta garantía está prohibido por dichas leyes, se considerará nulo y sin efecto; sin embargo, el resto de la garantía seguirá en plena vigencia.

DESCARGO DE RESPONSABILIDADES: Cualquier declaración oral sobre el producto realizada por el vendedor, la Marca, los representantes o cualquier otra parte, no constituye garantías. El usuario no debe depender de ellas y no forman parte de este contrato de venta. La única obligación del vendedor y la Marca, y la única compensación a disposición del comprador, será el reemplazo o la reparación del producto por parte de la Marca, de la forma descrita anteriormente. Antes de usar el producto, el usuario determinará la idoneidad de este para su uso previsto, y asumirá todos los riesgos y la responsabilidad que se deriven de esta acción.

