



<b>⚠ WARNING</b>	<b>ELECTRICAL SHOCK HAZARD</b> Disconnect power before installing or servicing this product. A qualified service person must install and service this product according to applicable electrical and plumbing codes.	<b>⚠ WARNING</b>	<b>EXPLOSION OR FIRE HAZARD</b> Do not use this product with flammable liquids. Do not install in hazardous locations as defined by National Electrical Code, ANSI/NFPA 70.
Failure to follow these precautions could result in serious injury or death. Replace product immediately if switch cable becomes damaged or severed. Keep these instructions with warranty after installation. This product must be installed in accordance with National Electric Code, ANSI/NFPA 70 so as to prevent moisture from entering or accumulating within boxes, conduit bodies, fittings, float housing, or cable.			

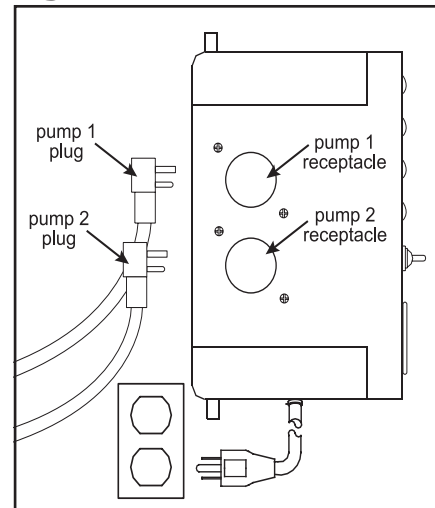
**For detailed specifications on this product, or for the complete line of SJE-Rhombus® panel, alarm, and switch products, visit our web-site at [www.sjehombus.com](http://www.sjehombus.com).**

### INSTALLING THE ULTRA NATOR™

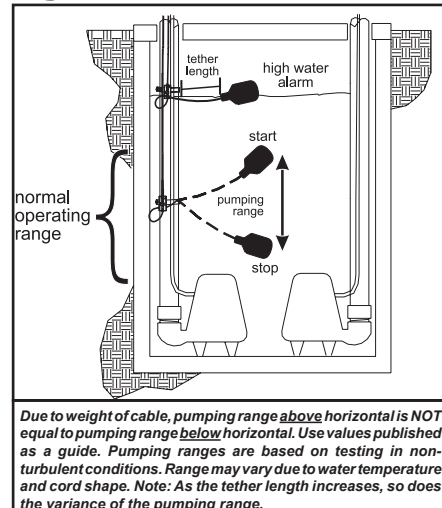
**NEMA 1 enclosures are for indoor use only**, primarily to provide a degree of protection against contact with enclosed equipment. The Ultra Nator™ is designed to operate with two floats. These floats operate pump stop/start and high level alarm functions.

- Choose a dry wall location within 10 feet of the incoming power receptacle and close enough for installation of the floats. Mount the UltraNator™ securely to the wall. (Caution: Do not mount the control panel in a riser, tank, or any are that will be susceptible to moisture or flooding)
- Open battery door and install 9vdc battery and close door. (Battery not included, use heavy-duty alkaline battery)
- Verify battery backup alarm system works by tipping high water alarm float. (Red LED on front of panel and audible alarm will sound)
- Plug the pump plugs into the receptacles as shown in Figure A.
- Plug in the power cord from panel into incoming power receptacle as shown in Figure A.
- Check installation by manually tipping the pump float (one pump will start running); lower float until pump stops running; tip pump float again (the other pump will start running); lower float. Manually tip alarm float (Red LED will illuminate and audible alarm will sound). To silence the horn press the Horn Silence switch. The Horn Disabled light will flash. To reset the horn to activate mode, press the Horn Silence switch until the Horn Disabled light stops flashing.
- Test the unit (weekly) to ensure proper operation.
- Replace 9VDC battery every 12 months or when pressing battery Test-Reset switch results in a yellow or red LED or a low battery chirp sounds.

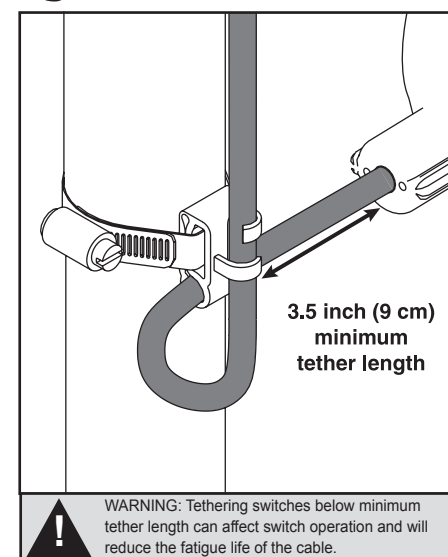
**Figure A**



**Figure B**



**Figure C**



### MOUNTING THE SJE MICROMASTER®

- Determine the required cord tether length according to chart below and as shown in Figure B.

tether length (inches)	<b>3.5 min.</b>	<b>6</b>	<b>9</b>	<b>12</b>	<b>15</b>	<b>18</b>	<b>22</b>
pumping range (inches)	<b>8</b>	<b>11</b>	<b>15</b>	<b>21</b>	<b>28</b>	<b>31</b>	<b>36</b>

- Place the cord into the clamp as shown as shown in Figure C.
- Locate clamp at desired activation level and secure the clamp to the discharge pipe as shown in Figure C. **Note:** Do not install cord under hose clamp.
- Tighten the hose clamp using screwdriver. Over tightening may result in damage to the plastic clamp. Make sure the float cable is not allowed to touch the excess hose clamp band during operation.
- Check installation. Allow system to cycle to insure proper operation.

**Note:** All hose clamp components are made of 18-8 stainless steel material. See your SJE-Rhombus® supplier for replacements.

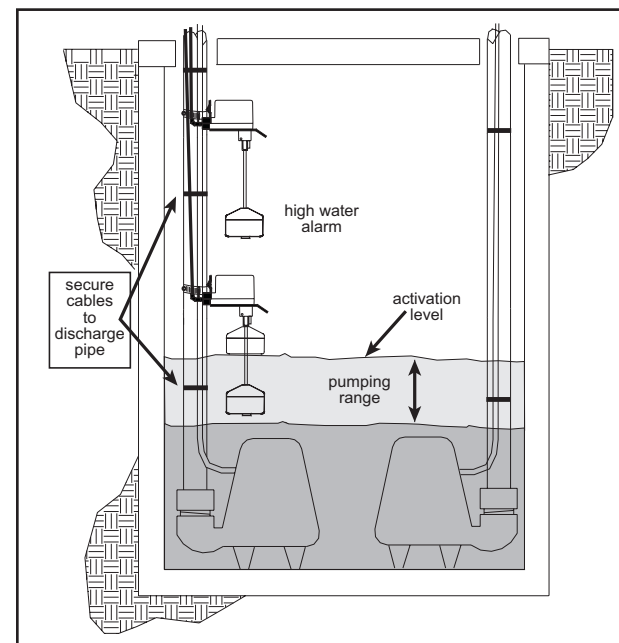
### INSTALLING THE VERTICALMASTER® II

**Warning:** Do not install switch in direct flow of incoming liquid.

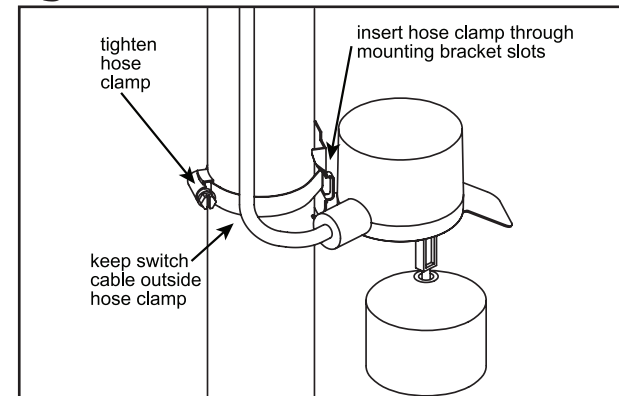
- Determine desired activation level and pumping range as shown in Figure D. Pumping range can be adjusted by moving the float stop up or down the rod.
- Insert hose clamp through slots in mounting bracket as shown in Figure E.
- Position hose clamp around discharge pipe with bracket gripping tabs against pipe as shown in Figure E and F. Cable should remain outside of hose clamp.
- Tighten the hose clamp securely.
- Secure pump cable and switch cable to discharge pipe as shown in Figure D with wire ties (not supplied).
- Check the installation. Verify that the float is free to move and activate the switch. Allow system to cycle to ensure proper operation.

**Note:** All hose clamp components are made of 18-8 stainless steel material. See your SJE-Rhombus® supplier for replacements.

**Figure D**



**Figure E**



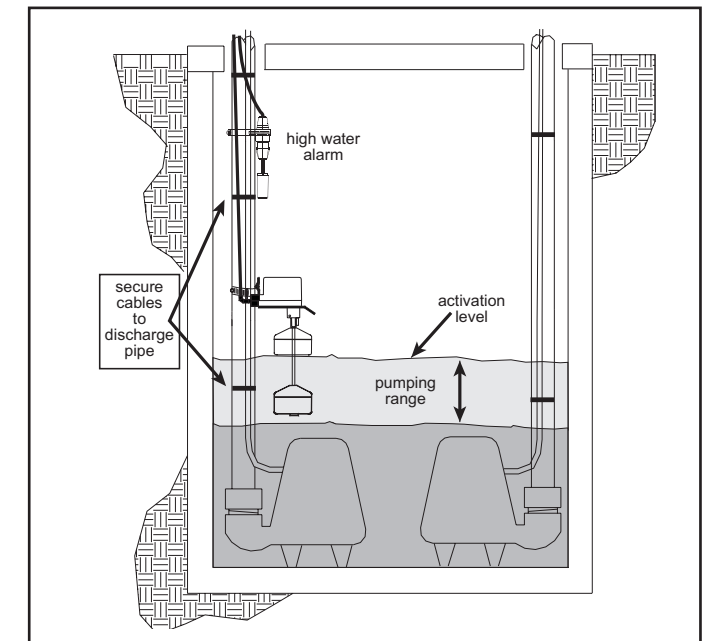
### MOUNTING THE VERTICAL REED SWITCH

**Warning:** Do not install switch in direct line of incoming liquid.

- Place the clamp into the VRS switch housing as shown in Figure G.
- Locate clamp at desired activation level and secure the clamp to the discharge pipe as shown in Figure F & G. **Note:** Do not install cord under hose clamp.
- Tighten the hose clamp using screwdriver. Over tightening may result in damage to the switch housing.
- Check installation. Allow system to cycle to insure proper operation.

**Note:** All hose clamp components are made of 18-8 stainless steel material. See your SJE-Rhombus® supplier for replacements.

**Figure F**



**Figure G**

