

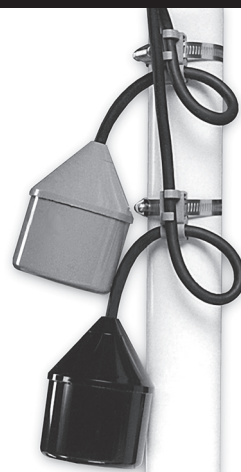
DOUBLE FLOAT® Pump Switch

Mercury activated, wide-angle switch designed to control pumps up to 1 HP at 120 VAC and 2 HP at 230 VAC.

This mercury activated, wide-angle pump switch provides automatic control of pumps in non-potable water and sewage applications. It is well-suited for confined applications requiring an accurate pumping range. It is not sensitive to rotation or turbulence. This switch is voltage sensitive - use with correct voltage.

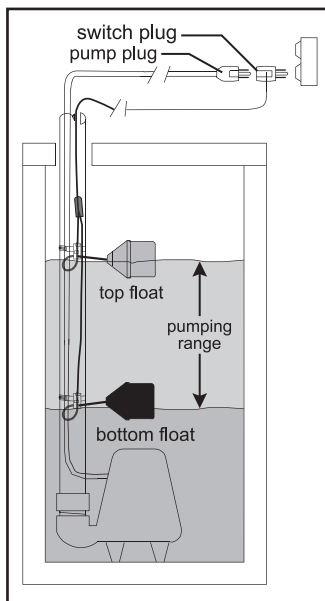
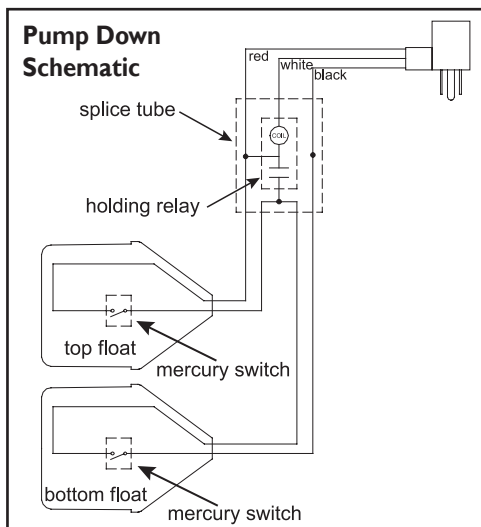
The **Double Float®** pump switch consists of two floats and a splice tube. Each float contains a heavy-duty mercury switch. The splice tube contains a holding relay which enables the floats to function in series.

The holding relay eliminates pump chatter in turbulent conditions allowing the **Double Float®** pump switch to operate relay control panels for larger pump applications.



FEATURES

- Controls pumps up to 1 HP at 120 VAC and 2 HP at 230 VAC.
- Adjustable pumping range of 1.75 to 48 inches (4.45 to 122 cm) with increased pumping range up to 6 feet (1.8 meters) available.
- Includes standard mounting clamps and boxed packaging.
- UL Recognized for use in non-potable water and sewage.
- CSA Certified.
- Five-year limited warranty.



SPECIFICATIONS

Cable attached to float housing: flexible 14 gauge, 2 conductor (UL, CSA) SJOW, water-resistant (CPE)

Cable above splice: flexible 14 gauge, 3 conductor (UL, CSA) SJTW, water-resistant, thermoplastic

FLOATS: 3.38 inch diameter x 4.55 inch long (8.58 x 11.56 cm) high impact, corrosion resistant, PVC housing for use in sewage and non-potable water up to 140°F (60°C)

MERCURY SWITCH: mercury-to-mercury contacts, hermetically sealed in a steel capsule

ELECTRICAL:

120 VAC 50/60Hz Single Phase:

Maximum Pump Running Current:

15 amps

Maximum Pump Starting Current:

55 amps

Recommended Pump HP:

1 HP or less

230 VAC 50/60Hz Single Phase:

Maximum Pump Running Current:

12 amps

Maximum Pump Starting Current:

35 amps

Recommended Pump HP:

2 HP or less

NOTE: This switch must be used with pumps that provide integral thermal overload protection.

OPTIONS

This switch is available:

- for pump down or pump up applications as specified by part number.
- with a 120 VAC or 230 VAC piggy-back plug.
- without a plug for direct wiring (120 VAC units can only be used with 120 VAC applications within specified amp ratings. 230 VAC units can only be used with 230 VAC applications within specified amp ratings).
- in standard cable lengths of 15, 20, or 30 feet and 5 or 10 meters (longer lengths available).

California Prop 65 requires the following: ⚠ WARNING Cancer and Reproductive Harm - www.P65Warnings.ca.gov

SEE REVERSE SIDE FOR ORDERING INFORMATION.



SJE RHOMBUS

1-888-DIAL-SJE • 1-218-847-1317

1-218-847-4617 Fax

email: customer.service@sjeinc.com

www.sjerhombus.com

F.23

DOUBLE FLOAT® Pump Switch

Mercury activated, wide-angle switch designed to control pumps up to 1 HP at 120 VAC and 2 HP at 230 VAC.

ORDERING INFORMATION

PUMP DOWN ↓		PUMP UP ↑		List Price	Shipping Weight
Part#	Description	Part#	Description		
1002022	15DFD1WP	1002030	15DFU1WP	\$178.11	3.63 lbs.
1002024	15DFD2WP	1002032	15DFU2WP	\$182.68	3.64 lbs.
1002026	15DFD1WOP	1002034	15DFU1WOP	\$168.04	3.55 lbs.
1002028	15DFD2WOP	1002036	15DFU2WOP	\$171.39	3.51 lbs.
1002038	20DFD1WP	1002046	20DFU1WP	\$184.46	4.04 lbs.
1002040	20DFD2WP	1002048	20DFU2WP	\$189.01	4.08 lbs.
1002042	20DFD1WOP	1002050	20DFU1WOP	\$174.41	3.97 lbs.
1002044	20DFD2WOP	1002052	20DFU2WOP	\$177.74	4.01 lbs.
1002054	30DFD1WP	1002062	30DFU1WP	\$198.01	4.95 lbs.
1002056	30DFD2WP	1002064	30DFU2WP	\$202.59	4.99 lbs.
1002058	30DFD1WOP	1002066	30DFU1WOP	\$188.14	4.86 lbs.
1002060	30DFD2WOP	1002068	30DFU2WOP	\$191.30	4.87 lbs.

D = Pump Down U = Pump Up 1 = 120 VAC 2 = 230 VAC

WP = With Plug WOP = With Out Plug

NOTE: Descriptions are grouped by cable length measured in feet (15, 20, 30).

OPTIONS

PACKAGING

Boxed - standard
Bagged - optional **Bulk** - optional

ADDITIONAL CABLE

Longer cable lengths available. Please call for details.

UL Recognized for
Water & Sewage



LR54245



SPECIFICATIONS

PUMPING RANGE: 1.75 to 48 inches (4.45 cm to 122 cm), increased pumping range available. Call factory for quote.

CABLE ATTACHED TO FLOAT HOUSING: flexible 14 gauge, 2 conductor (UL, CSA) SJOW, water-resistant (CPE)

CABLE ABOVE SPLICE: flexible 14 gauge, 3 conductor (UL, CSA) SJTW, water-resistant thermoplastic

FLOAT: 3.38 inch diameter x 4.55 inch long (8.58 cm x 11.5 cm), high impact, corrosion resistant, PVC housing for use in sewage and non-potable water up to 140°F (60°C)

ELECTRICAL:

Voltage 50Hz/60Hz Single Phase	Max. Pump Run Current	Max. Pump Start Current	Recommended Pump HP
120 VAC	15 amps	55 amps	1 HP or less
230 VAC	12 amps	35 amps	2 HP or less

NOTE: This switch must be used with pumps that provide integral thermal overload protection.

OTHER INFORMATION

PUMP DOWN is normally open contacts for emptying.

PUMP UP is normally closed contacts for filling.

DIRECT WIRING

120 VAC units used for direct wiring (without plug) can **only** be used with **120 VAC** applications within specified amp ratings.

230 VAC units used for direct wiring (without plug) can **only** be used with **230 VAC** applications within specified amp ratings.



SJE RHOMBUS

www.sjerrhombus.com
customer.service@sjeinc.com

Call or fax your order!

1-888-DIAL-SJE (1-888-342-5753) • Fax 218-847-4617

Product offering and pricing are subject to change without notice.
Please visit www.sjerrhombus.com for the most current information.