

SJE VERTICALMASTER® II LC CONTROL SWITCH

Mechanically-Activated Control Switch Designed to Activate Low Current Control Panels and Alarms

The SJE VerticalMaster® II LC mechanically-activated control switch offers reliable control for AC and DC application to activate low current control panels and alarms in:

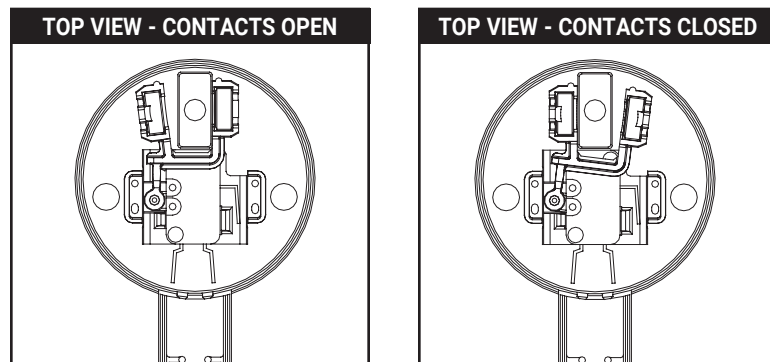
- non-potable water applications
- wastewater applications
- PLC panels (programmable logic controller)
- IS panels (with intrinsically safe barriers)
- low current solar applications
- other lower current applications

The SJE VerticalMaster® II LC (Low Current) switch is not sensitive to turbulence.

It is available in normally open (high level) operation only.

FEATURES

- Adjustable activation range of .75 to 6.5 inches (2 to 17 cm)
- Low current, non-arcing applications down to 0.160 mA at 125 VAC



OPTIONS

This switch is available:

- in standard cable lengths of 10 and 20 feet (3 and 6 meters)



UL Recognized for Water & Sewage

U.S. Patent No. 6,140,925
CA Pats. 2,367,577 and 2,694,446
Euro Pat. 1203360
German Pat. DE69931196T2
China Pat. 201110089665.0



SJE VERTICALMASTER® II LC CONTROL SWITCH - Mechanically-activated control switch designed to activate low current control panels and alarms.

Part #	Description (Normally Open)	Shipping Weight
1025024	10VMILC BOX	1.65 lbs.
1039781	20VMILC BOX	2.36 lbs.

MOUNTING BRACKET and HOSE CLAMP are standard.

PACKAGING: Boxed - Standard

SPECIFICATIONS

ACTIVATION RANGE: .75 to 6.5 inches (2 cm to 17 cm)

CABLE: flexible 18 gauge, 2 conductor SJTOW, SJTW (UL, CSA)

MOUNTING BRACKET: polypropylene

LIFT ROD: injection molded acetal plastic

FLOAT STOP: neoprene

SWITCH AND FLOAT HOUSING: high impact, corrosion resistant, PVC housing for use non-potable water up to 125°F (52°C)

Overall dimensions: 12 inch high x 5 inch x 3 inch wide
(30.5 cm high x 12.7 cm x 7.6 cm wide)

Switch housing dimensions: 2 inch high x 2.8 inch diameter
(excluding cable entrance) (5 cm high x 7.1 cm diameter)

Float housing dimensions: 2.5 inch high x 2.7 inch diameter
(6.4 cm high x 6.9 cm diameter)

ELECTRICAL:

125 VAC

Maximum Electrical Load: 1 amp

Minimum Electrical Load: 0.160 milliamps

30 VDC

Maximum Electrical Load: 0.1 amps

Minimum Electrical Load: 0.160 milliamps

5 VDC

Minimum Electrical Load: 1 milliamps

OTHER INFORMATION

NORMALLY OPEN (HIGH LEVEL) OPERATION

The control switch closes (turns on) when the float rises signaling a high level, and opens (turns off) when the float drops.