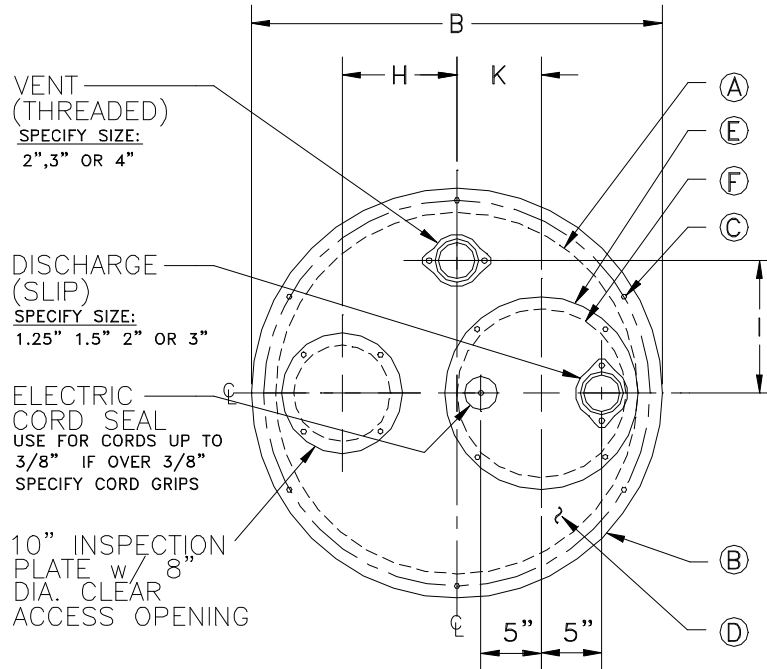


12 GAGE SIMPLEX STEEL COVER W/ACCESS

STAINLESS STEEL HARDWARE STANDARD
GASKET TAPE PROVIDED



ROUND COVER

PART NO.	STYLE	(A) BASIN INSIDE DIM.	(B) OUTSIDE DIM.	(C) BOLT CIRCLE	(D) THICKNESS	(E) ACCESS PLATE DIM.	(F) CLEAR ACCESS DIM.	(G) DISTANCE	(H) DISTANCE	(I) DISTANCE	(K) DISTANCE
C24-12SSA	ROUND	24	28	26.5	12 GAGE	16	14	N/A	7.75	10	5.50
C30-12SSA	ROUND	30	34	32.5	12 GAGE	18	16	N/A	9.50	11	7.00
C36-12SSA	ROUND	36	40	38.5	12 GAGE	18	16	N/A	13.00	14	7.00

ALL DIMENSIONS IN INCHES
N/A= NOT APPLICABLE

INDUSTRIES
TOPP
INCORPORATED

12 GAGE x 28" OD STEEL
SIMPLEX STEEL COVER W/ACCESS

Reference: C24-12SSA

Scale: None

Drawn By: RM

App'd By: .

Date: 02/24/04

This print is and contains confidential proprietary information owned exclusively by TOPP INDUSTRIES, INC. It is furnished on a strictly confidential basis. This restriction includes, but is not limited to the condition that this print will not only be used as a record or to identify or repair parts or for other information purposes and will not be used to manufacture or procure the manufacture of the items shown in this print by any other source than TOPP INDUSTRIES, INC.

Highway 25 North P.O. Box 420
Rochester, IN 46975
Phone: 800/354-4534 Fax: 574/223-6106

Supersedes Prints
Prior To: 02/24/04

Reference No: 15102

Revisions

① First Released 06/27/03