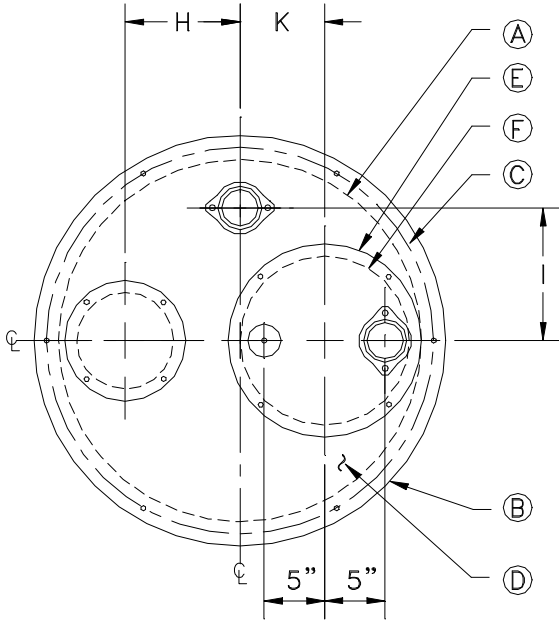


SIMPLEX STEEL BASIN COVER

STAINLESS STEEL HARDWARE STANDARD
GASKET TAPE PROVIDED



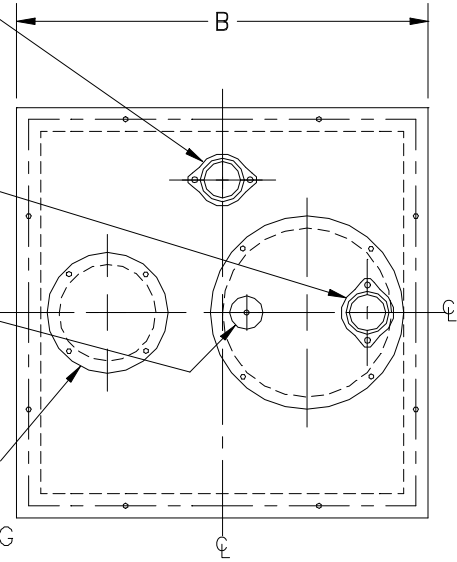
ROUND COVER

VENT
(OPTIONAL)
SPECIFY SIZE:
1.25" 1.5" 2"
3" OR 4"

DISCHARGE
(OPTIONAL)
SPECIFY SIZE:
1.25" 1.5" 2"
3" OR 4"

ELECTRIC
CORD SEAL
USE FOR CORDS UP TO
3/8" IF OVER 3/8"
SPECIFY CORD GRIPS

10" INSPECTION
PLATE w/ 8"
DIA. CLEAR
ACCESS OPENING
(OPTIONAL)



SQUARE COVER

PART NO.	STYLE	(A) BASIN INSIDE DIM.	(B) OUTSIDE DIM.	(C) BOLT CIRCLE	(D) THICKNESS	(E) ACCESS PLATE DIM.	(F) CLEAR ACCESS DIM.	(G) DISTANCE	(H) DISTANCE	(I) DISTANCE	(K) DISTANCE
C24SSA	ROUND SQUARE	24 24x24	28 28x28	26.5 26.5x26.5	.25 .25	16 16	14 14	N/A N/A	7.75 7.75	10 10	5.50 5.50
C30SSA	ROUND SQUARE	30 30x30	34 34x34	32.5 32.5x32.5	.25 .25	18 18	16 16	N/A N/A	9.50 9.50	11 11	7.00 7.00
C36SSA	ROUND SQUARE	36 36x36	40 40x40	38.5 38.5x38.5	.25 .25	18 18	16 16	N/A N/A	13.00 13.00	14 14	7.00 7.00
C42SSA	ROUND SQUARE	42 42x42	46 46x46	44.5 44.5x44.5	.25 .25	22 22	20 20	N/A N/A	14.00 14.00	14 14	11.00 11.00
C48SSA	ROUND SQUARE	48 48x48	54 54x54	51.0 51.0x51.0	.25 .25	22 22	20 20	N/A N/A	18.00 18.00	20 20	9.00 9.00
C60SSA	ROUND SQUARE	60 60x60	66 66x66	63.0 63.0x63.0	.375 .375	28 28	25.50 25.50	N/A N/A	15.50 15.50	25 25	15.50 15.50
C72SSA	ROUND SQUARE	72 72x72	78 78x78	75.0 75.0x75.0	.375 .375	28 28	25.50 25.50	N/A N/A	15.50 15.50	30 30	15.50 15.50

ALL DIMENSIONS IN INCHES
N/A= NOT APPLICABLE

TOPP
INDUSTRIES
INCORPORATED

SIMPLEX STEEL COVER

Reference: -

Highway 25 North P.O. Box 420
Rochester, IN 46975
Phone: 800/354-4534 Fax: 574/223-6106

Scale: None

Drawn By: RM

App'd By: .

Date: 06/26/03

Supersedes Prints

Prior To: 06/26/03

This print is and contains confidential proprietary information owned exclusively by TOPP INDUSTRIES, INC. It is furnished on a strictly confidential basis. This restriction includes, but is not limited to the condition that this print will not only be used as a record or to identify or inspect parts or for other information purposes and will not be used to manufacture or procure the manufacture of the items shown in this print by any other source than TOPP INDUSTRIES, INC.

Reference No: 10083

Revisions

① First Released 06/27/03