

# Instruction Sheet

## Sensor Replacement

Models: D4+, E4+, F4+

### Section 1 Safety Information

Please read this entire instruction sheet before operating this equipment. Pay attention to all danger, warning, and caution statements in this instruction sheet. Failure to do so could result in serious personal injury or damage to the equipment.

Make sure that the protection provided by this equipment is not impaired. Do not use or install this equipment in any manner other than that specified in the instruction sheet.

#### 1.1 Safety Precautions

### ⚠ DANGER



Failure to follow these instructions will result in serious injury or death.

#### **Shock Hazard - Stored Energy**



- Disconnect power to system before performing any maintenance or repair.



- There may be more than one source of power. Only connect to a GFCI.



- Protective ground

- DO NOT touch with wet hands.



#### **Pressurized Device - Impalement Hazard**



- NEVER perform any physical inspection, repair or maintenance on UV chamber unless UV chamber has been isolated and depressurized.



- NEVER service UV lamps, quartz sleeves or associated hardware until depressurization of UV chamber has been confirmed.



- DO NOT store any combustible or flammable material close to the system.

### ⚠ WARNING

Failure to follow these instructions could result in serious injury or death.

#### **UV Light Hazard**



- ALWAYS use UV protective gear, including gloves and UV safety glasses.
- NEVER look directly at illuminated UV lamp, even when using protective gear.



- NEVER illuminate UV lamp outside of the UV chamber.

- If accidental exposure occurs, immediately cool affected area and consult physician.

#### **Contamination Hazard**



- If UV lamp breaks, avoid inhalation, ingestion, or exposure to eyes and skin. Wear appropriate clothing and personal protective equipment.

- NEVER use a vacuum cleaner to clean up broken UV lamps as this will scatter the mercury. Obey local regulations and guidelines for the removal and disposal of mercury waste.

## ⚠ CAUTION

Failure to follow these instructions could result in minor or moderate injury.



**Thermal Hazard**

- Allow UV lamps, UV chamber to cool for a minimum of 10 (ten) minutes before handling.
- When there is no water flow, the water in the chamber will become hot. To prevent scalding, allow the system to cool for 10 minutes before draining the system.



**Personal Injury Hazard**

- UV lamps and quartz sleeves are fragile. Do not strike, bend or apply pressure, or they will break.
- DO NOT handle UV lamps or quartz sleeves with bare hands. Wear rubber or latex gloves to handle previously installed UV lamps and soiled quartz sleeves to protect against contaminants. Wear cotton gloves to handle new UV lamps and clean quartz sleeves.



## NOTICE

**Avoid Injury**

- Read and understand this Instruction Sheet before operating and performing any maintenance on this equipment.

**System Protection**

- To protect the Controller, a UL 1449 certified (or equivalent) transient voltage surge suppressor is strongly recommended.



**Warning:** This product may contain chemicals known to the State of California to cause cancer and birth defects or other reproductive harm.

## Section 1 Maintenance

## ⚠ WARNING



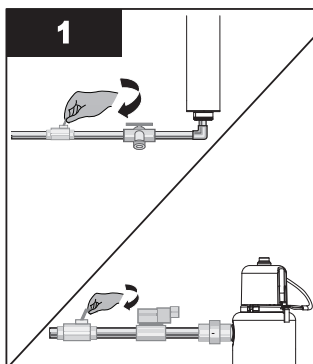
- Always disconnect power before performing any work on the disinfection system.
- Always shut-off water flow and release water pressure before servicing.
- Replace the UV lamp annually (or biennially if seasonal home use) to ensure maximum disinfection.
- Always drain the chamber when closing a seasonal home or leaving the unit in an area subject to freezing temperatures.
- During extended periods of no water flow, the water in your chamber can become very hot (Approx. 60 °C) and potentially lead to scalding. It is recommended to run your water until this hot water has been purged from your chamber. Do not allow water to contact your skin during this time. To eliminate this condition, a temperature management valve can be installed at the outlet of your UV system.



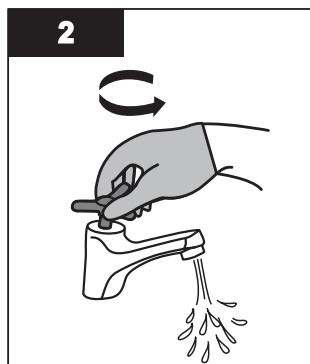
### 1.1 Installing Sensor to the Controller

**Note:** System figures may look slightly different than your actual system.

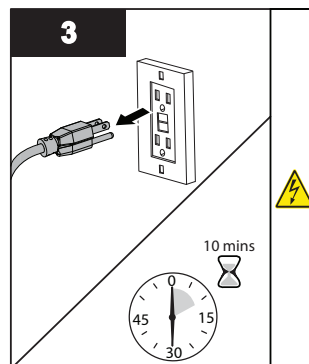
**Procedure:**



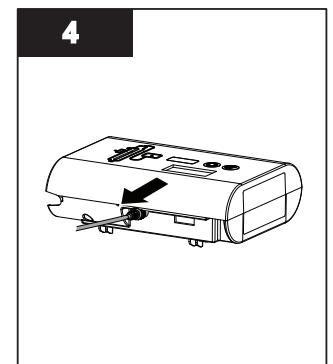
- Shut off the water supply.  
**Note:** Solenoid and Cool Touch valve are not used in all systems.



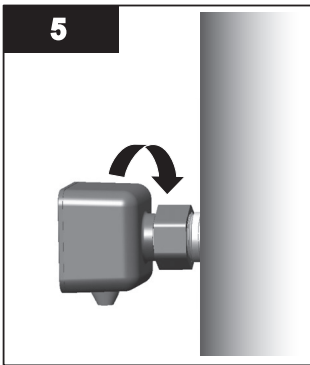
- Open a tap downstream of the UV unit to release pressure. Then, close this tap.



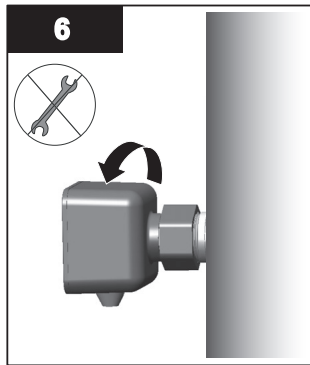
- Disconnect main power source and allow the unit to cool for 10 minutes.  
**Note:** Ensure there is no other power source connected, such as solenoid, junction box and remote alarms.



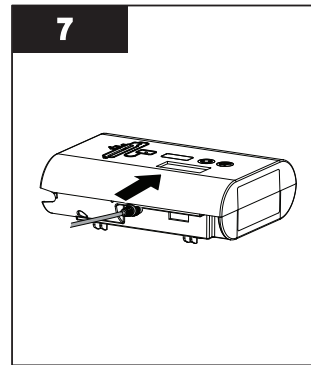
- Disconnect the sensor cable from the controller.



- Remove the old sensor from UV chamber.

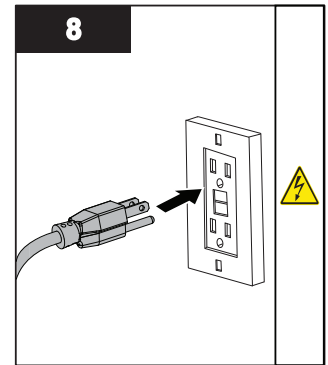


- Install the new sensor to UV chamber.

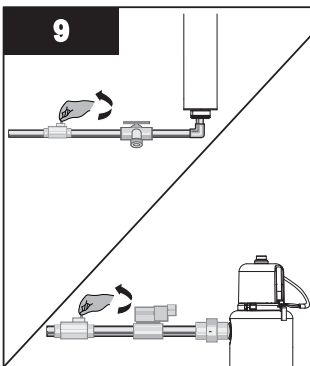


- Connect the sensor cable to the controller.

**Note:** Perform the disinfection procedure prior to turning the system on. Refer to Owner's Manual.



- Restore power and connect the other devices such as solenoid, junction box and remote alarms.



- Turn on the water supply.

**Note:** Solenoid and Cool Touch valve are not used in all systems.



425 Clair Rd. W, Guelph, Ontario, Canada N1L 1R1  
t. (+1) 519.763.1032 • tf. (+1) 800.265.7246 (US and Canada only)  
t. (+31) 73 747 0144 (Europe only) • f. (+1) 519.763.5069  
e-mail: [info@viqua.com](mailto:info@viqua.com)  
[www.viqua.com](http://www.viqua.com)