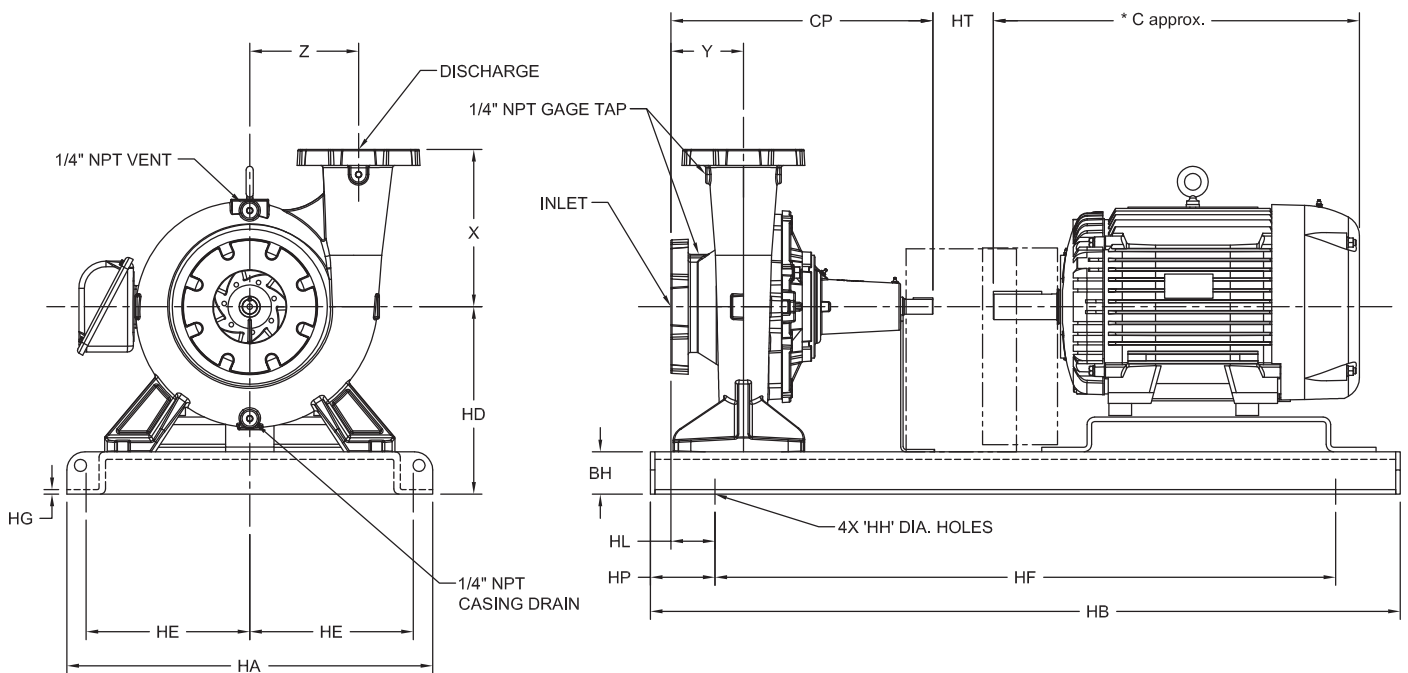


### End Suction Back Pull-Out

<b>PUMP NO.</b>	<b>PUMP:</b>	<b>MOTOR:</b>	<b>VOLTS:</b>
<b>FOR:</b>	<b>TDH:</b>	<b>HP:</b>	<b>HZ:</b>
<b>CERT. BY:</b>	<b>GPM:</b>	<b>RPM:</b>	<b>FRAME:</b>
<b>DATE:</b>	<b>FIGURE NO:</b>	<b>PHASE:</b>	
		<b>ENCLOSURE:</b>	

**CONNECTIONS FOR 125# STANDARD FLANGES**

PUMP	DISCH. (INCH)	INLET (INCH)	HL	X	Y	Z	CP
5S	5.0	6.0	4.07	12.38	5.75	10.10	21.48



- NOTES:  
 1) All Dimension  $\pm .13$   
 2) Dimension \* C will vary based on motor brand

**CONNECTIONS FOR 125# STANDARD FLANGES**

Motor Frame	Base No.	Riser No.	Guard No.	Guard Ext.	* C	HA	HB	HD	HE	HF	HG	HH	HP	HT	BH
284T	136842	136904	136328	136330	27.76	30.25	62.00	15.50	14.13	53.25	0.38	0.75	4.38	5.00	3.50
286T	136842	136904	136328	136330	27.76	30.25	62.00	15.50	14.13	53.25	0.38	0.75	4.38	5.00	3.50
324T	136842	136323	136328	136330	28.78	30.25	62.00	15.50	14.13	53.25	0.38	0.75	4.38	5.00	3.50
326T	136842	136323	136328	136330	28.78	30.25	62.00	15.50	14.13	53.25	0.38	0.75	4.38	5.00	3.50
364T	136842	136323	136328	136330	31.36	30.25	62.00	15.50	14.13	53.25	0.38	0.75	4.38	5.00	3.50

\* = Quantity 4 Spacer Blocks.

# Type "S"

Models 5S, Medium  
Metric (Millimeters)

# WEINMAN®

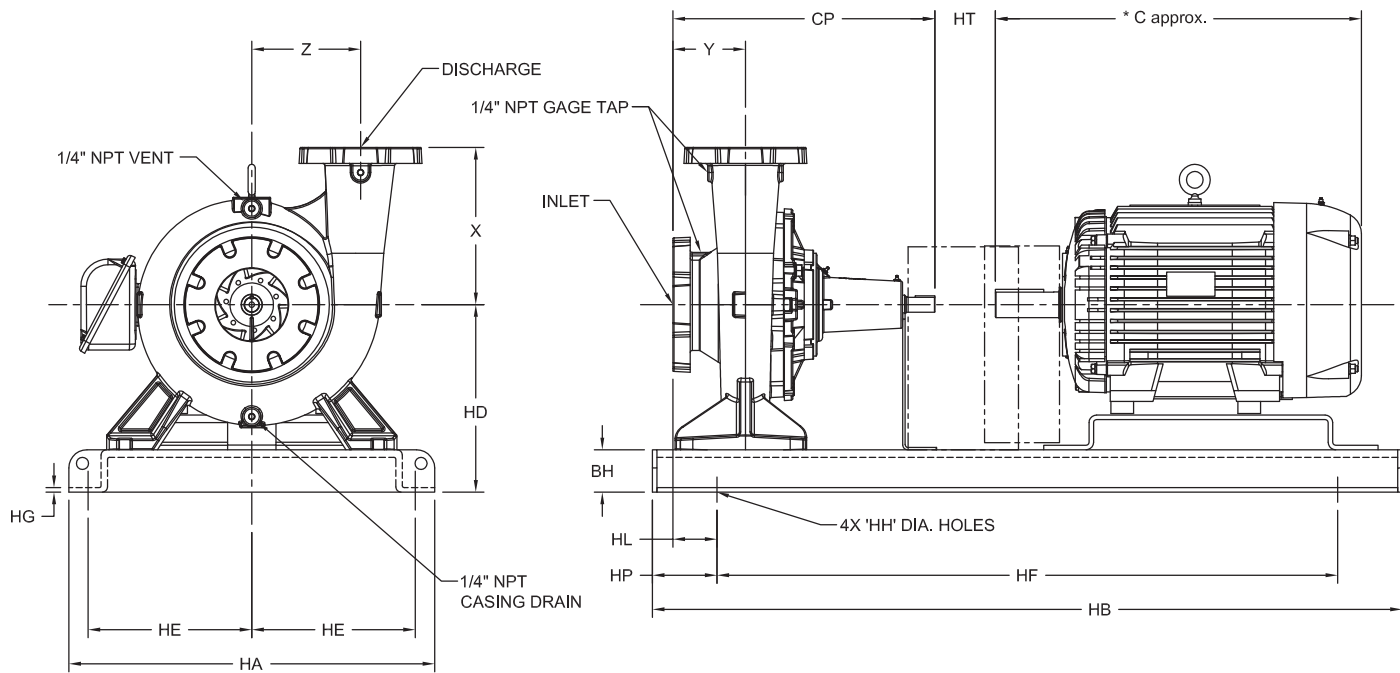
www.cranepumps.com

## End Suction Back Pull-Out

<b>PUMP NO.</b>	<b>PUMP:</b>	<b>MOTOR:</b>	<b>VOLTS:</b>
<b>FOR:</b>	<b>TDH:</b>	<b>HP:</b>	<b>HZ:</b>
<b>CERT. BY:</b>	<b>GPM:</b>	<b>RPM:</b>	<b>FRAME:</b>
<b>DATE:</b>	<b>FIGURE NO:</b>	<b>PHASE:</b>	
		<b>ENCLOSURE:</b>	

### CONNECTIONS FOR 125# STANDARD FLANGES

PUMP	DISCH. (INCH)	INLET (INCH)	HL	X	Y	Z	CP
5S	5.0	6.0	103	314	146	257	546



- NOTES:  
 1) All Dimension  $\pm$  3mm  
 2) Dimension \* C will vary based on motor brand

### CONNECTIONS FOR 125# STANDARD FLANGES

Motor Frame	Base No.	Riser No.	Guard No.	Guard Ext.	* C	HA	HB	HD	HE	HF	HG	HH	HP	HT	BH
284T	136842	136904	136328	136330	705	768	1575	394	359	1353	10	19	111	127	89
286T	136842	136904	136328	136330	705	768	1575	394	359	1353	10	19	111	127	89
324T	136842	136323	136328	136330	731	768	1575	394	359	1353	10	19	111	127	89
326T	136842	136323	136328	136330	731	768	1575	394	359	1353	10	19	111	127	89
364T	136842	136323	136328	136330	797	768	1575	394	359	1353	10	19	111	127	89

\* = Quantity 4 Spacer Blocks.

SECTION 575  
PAGE 102  
DATE 3/16

**CRANE**  
A Crane Co. Company

PUMPS & SYSTEMS

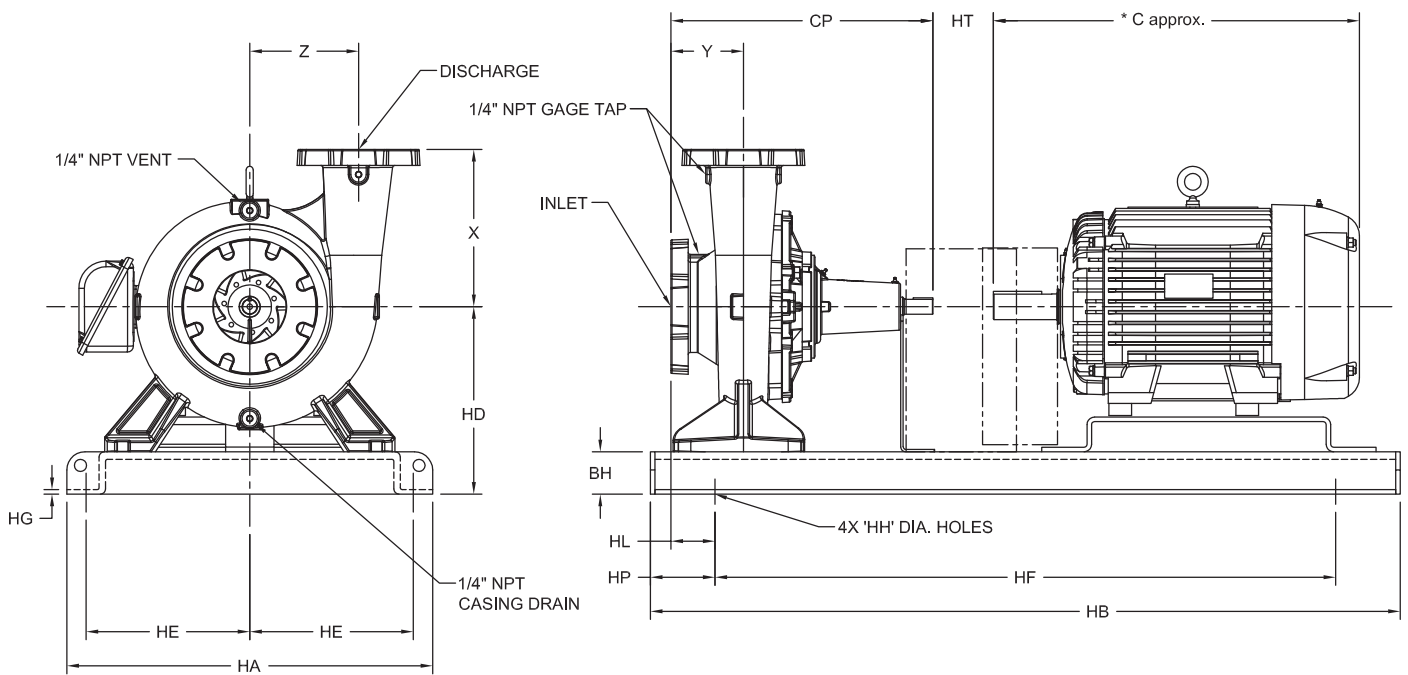
USA: (937) 778-8947 • Canada: (905) 457-6223 • International: (937) 615-3598

### End Suction Back Pull-Out

<b>PUMP NO.</b>	<b>PUMP:</b>	<b>MOTOR:</b>	<b>VOLTS:</b>
<b>FOR:</b>	<b>TDH:</b>	<b>HP:</b>	<b>HZ:</b>
<b>CERT. BY:</b>	<b>GPM:</b>	<b>RPM:</b>	<b>FRAME:</b>
<b>DATE:</b>	<b>FIGURE NO:</b>	<b>PHASE:</b>	<b>ENCLOSURE:</b>

**CONNECTIONS FOR 125# STANDARD FLANGES**

PUMP	DISCH. (INCH)	INLET (INCH)	HL	X	Y	Z	CP
5S	5.0	6.0	4.07	12.38	5.75	10.10	23.85



- NOTES:  
 1) All Dimension  $\pm .13$   
 2) Dimension \* C will vary based on motor brand

**CONNECTIONS FOR 125# STANDARD FLANGES**

Motor Frame	Base No.	Riser No.	Guard No.	Guard Ext.	* C	HA	HB	HD	HE	HF	HG	HH	HP	HT	BH
364T	136842	136323	136328	136330	31.36	30.25	62.00	17.75	14.13	53.25	0.38	0.75	4.38	5.00	3.50
365T	136842	136323	136328	136330	33.48	30.25	62.00	17.75	14.13	53.25	0.38	0.75	4.38	5.00	3.50
405T	136841	136324	136328	136330	38.32	30.25	77.75	17.75	14.13	69.00	0.38	0.75	4.38	5.00	3.50
444T	136841	136324	136329	136331	44.75	30.25	77.75	17.75	14.13	69.00	0.38	0.75	4.38	7.75	3.50

\* = Quantity 4 Spacer Blocks.

# Type "S"

Models 5S, Large  
Metric (Millimeters)

# WEINMAN®

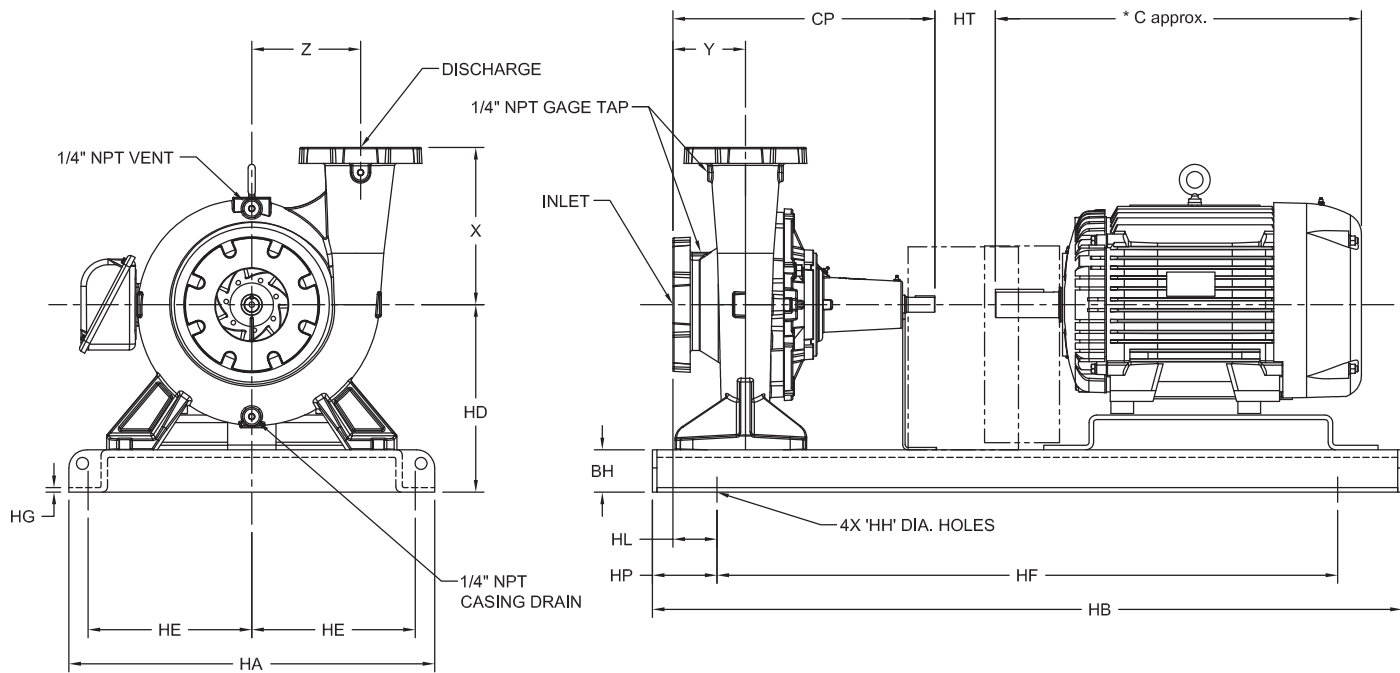
www.cranepumps.com

## End Suction Back Pull-Out

PUMP NO.		PUMP: TDH: GPM:		MOTOR: HP: RPM: PHASE: ENCLOSURE:		VOLTS: HZ: FRAME:	
FOR:		FIGURE NO:					
CERT. BY:		DATE:					

### CONNECTIONS FOR 125# STANDARD FLANGES

PUMP	DISCH. (INCH)	INLET (INCH)	HL	X	Y	Z	CP
5S	5.0	6.0	103	314	146	257	606



- NOTES:  
1) All Dimension  $\pm$  3mm  
2) Dimension \* C will vary based on motor brand

### CONNECTIONS FOR 125# STANDARD FLANGES

Motor Frame	Base No.	Riser No.	Guard No.	Guard Ext.	* C	HA	HB	HD	HE	HF	HG	HH	HP	HT	BH
364T	136842	136323	136328	136330	797	768	1575	451	359	1353	10	19	111	127	89
365T	136842	136323	136328	136330	850	768	1575	451	359	1353	10	19	111	127	89
405T	136841	136324	136328	136330	973	768	1975	451	359	1753	10	19	111	127	89
444T	136841	136324	136329	136331	1137	768	1975	451	359	1753	10	19	111	197	89

\* = Quantity 4 Spacer Blocks.

SECTION 575  
PAGE 104  
DATE 3/16

**CRANE**  
A Crane Co. Company

PUMPS & SYSTEMS

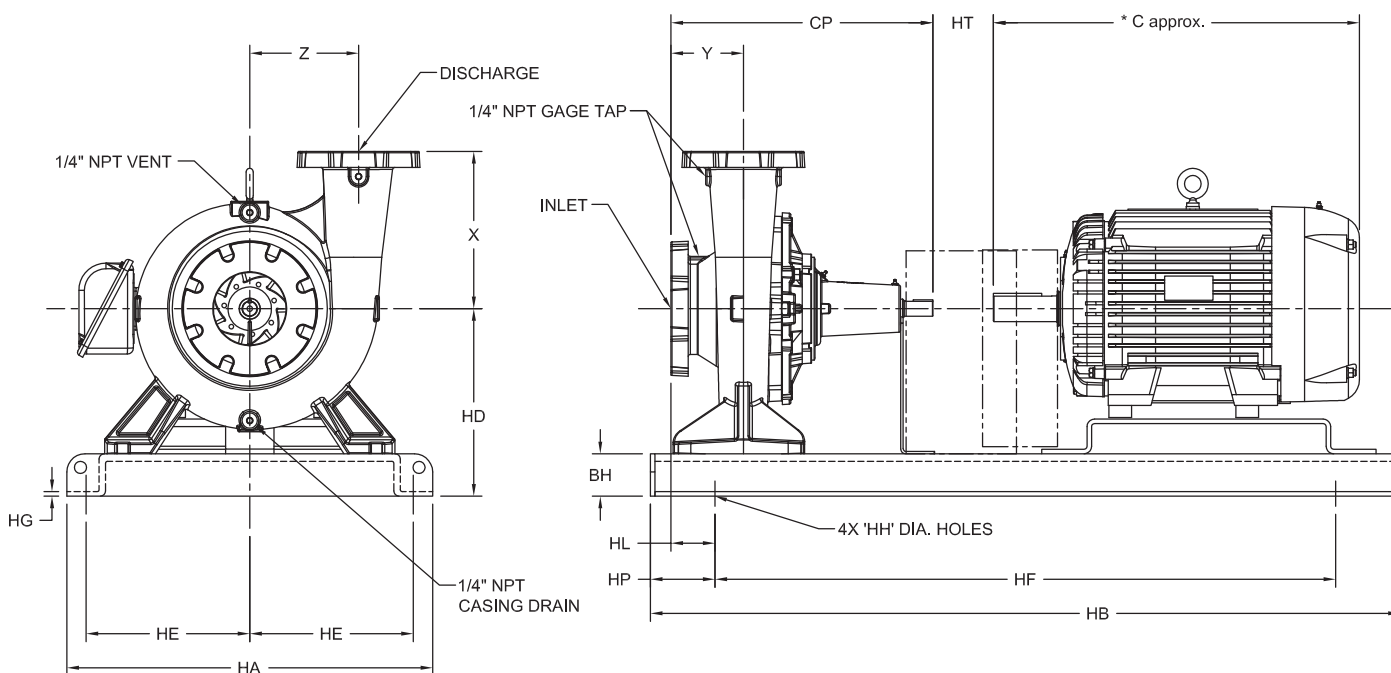
USA: (937) 778-8947 • Canada: (905) 457-6223 • International: (937) 615-3598

### End Suction Back Pull-Out

<b>PUMP NO.</b>		<b>PUMP:</b>	<b>MOTOR:</b>	<b>VOLTS:</b>
<b>FOR:</b>		<b>TDH:</b>	<b>HP:</b>	<b>HZ:</b>
<b>CERT. BY:</b>		<b>GPM:</b>	<b>RPM:</b>	<b>FRAME:</b>
<b>DATE:</b>		<b>FIGURE NO:</b>	<b>PHASE:</b>	<b>ENCLOSURE:</b>

#### CONNECTIONS FOR 125# STANDARD FLANGES

PUMP	DISCH. (INCH)	INLET (INCH)	HL	X	Y	Z	CP
6S	6.0	8.0	5.05	12.50	6.50	10.56	22.40



**NOTES:**

- 1) All Dimension  $\pm .13$
- 2) Dimension \* C will vary based on motor brand

#### CONNECTIONS FOR 125# STANDARD FLANGES

Motor Frame	Base No.	Riser No.	Guard No.	Guard Ext.	* C	HA	HB	HD	HE	HF	HG	HH	HP	HT	BH
324T	136842	136323	136328	136330	28.78	30.25	62.00	15.50	14.13	53.25	0.38	0.75	4.38	5.00	3.50
326T	136842	136323	136328	136330	28.78	30.25	62.00	15.50	14.13	53.25	0.38	0.75	4.38	5.00	3.50
364T	136842	136323	136328	136330	31.36	30.25	62.00	15.50	14.13	53.25	0.38	0.75	4.38	5.00	3.50
365T	136842	136323	136328	136330	33.48	30.25	62.00	15.50	14.13	53.25	0.38	0.75	4.38	5.00	3.50

\* = Quantity 4 Spacer Blocks.

# Type "S"

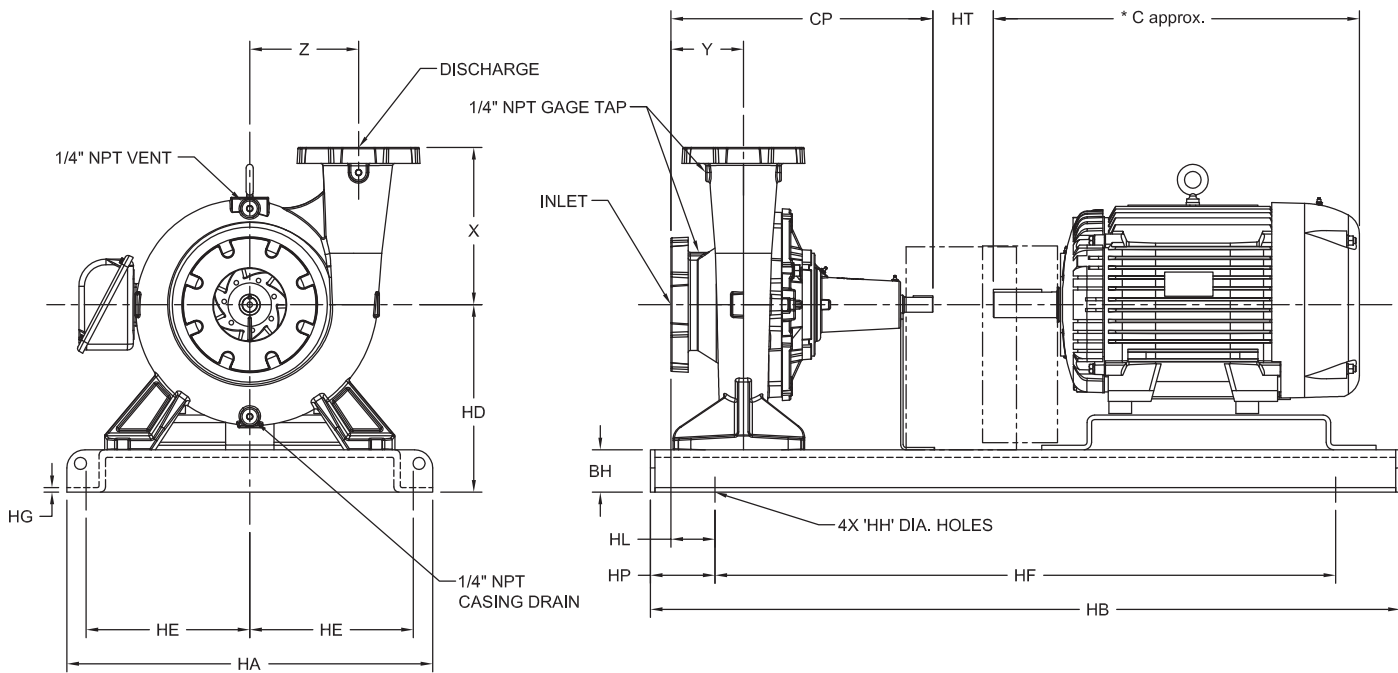
Models 6S, Medium  
Metric (Millimeters)

# WEINMAN®

www.cranepumps.com

## End Suction Back Pull-Out

PUMP NO.		PUMP: TDH: GPM:		MOTOR: HP: RPM: PHASE: ENCLOSURE:		VOLTS: HZ: FRAME:	
FOR:		DATE:		FIGURE NO:			
CERT. BY:							
CONNECTIONS FOR 125# STANDARD FLANGES							
PUMP	DISCH. (INCH)	INLET (INCH)	HL	X	Y	Z	CP
6S	6.0	8.0	128	318	165	268	569



- NOTES:  
1) All Dimension  $\pm 3\text{mm}$   
2) Dimension \* C will vary based on motor brand

CONNECTIONS FOR 125# STANDARD FLANGES															
Motor Frame	Base No.	Riser No.	Guard No.	Guard Ext.	* C	HA	HB	HD	HE	HF	HG	HH	HP	HT	BH
324T	136842	136323	136328	136330	731	768	1575	394	359	1353	10	19	111	127	89
326T	136842	136323	136328	136330	731	768	1575	394	359	1353	10	19	111	127	89
364T	136842	136323	136328	136330	797	768	1575	394	359	1353	10	19	111	127	89
365T	136842	136323	136328	136330	850	768	1575	394	359	1353	10	19	111	127	89

\* = Quantity 4 Spacer Blocks.

SECTION 575  
PAGE 106  
DATE 3/16

**CRANE**  
A Crane Co. Company

PUMPS & SYSTEMS

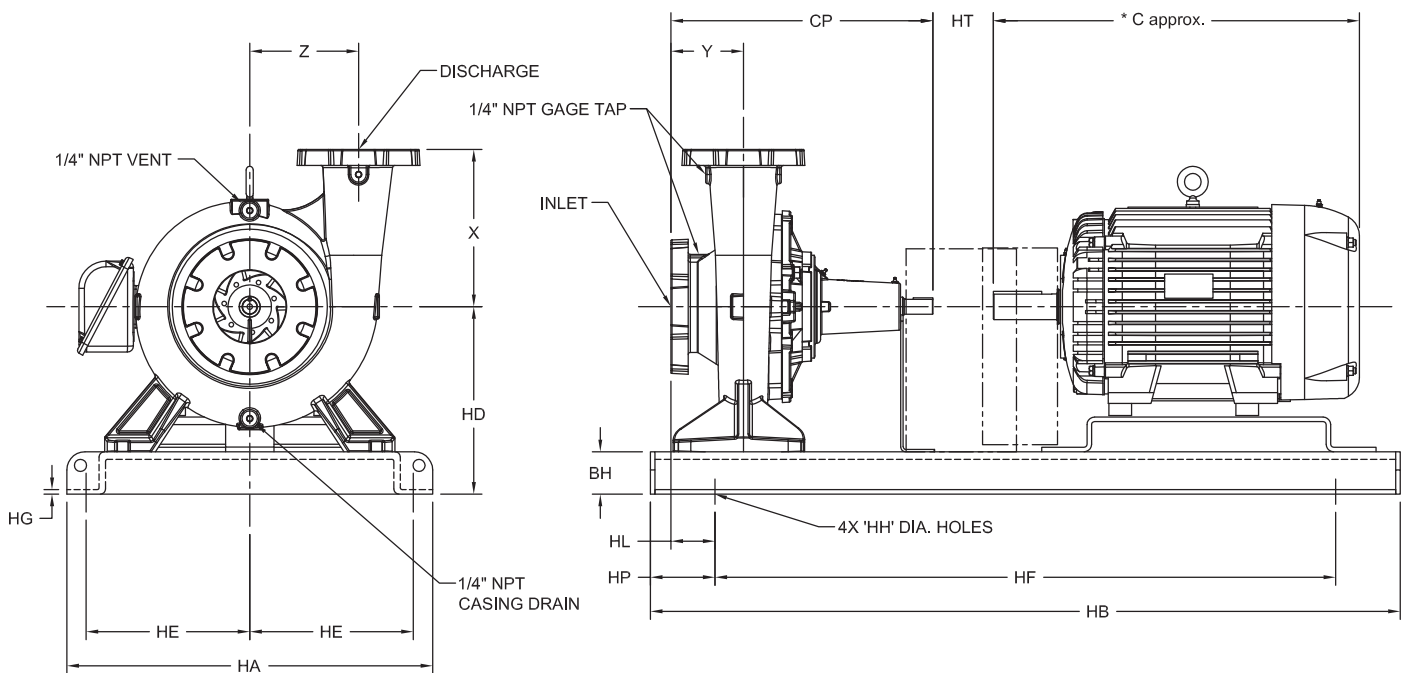
USA: (937) 778-8947 • Canada: (905) 457-6223 • International: (937) 615-3598

### End Suction Back Pull-Out

<b>PUMP NO.</b>	<b>PUMP:</b>	<b>MOTOR:</b>	<b>VOLTS:</b>
<b>FOR:</b>	<b>TDH:</b>	<b>HP:</b>	<b>HZ:</b>
<b>CERT. BY:</b>	<b>GPM:</b>	<b>RPM:</b>	<b>FRAME:</b>
<b>DATE:</b>	<b>FIGURE NO:</b>	<b>PHASE:</b>	<b>ENCLOSURE:</b>

**CONNECTIONS FOR 125# STANDARD FLANGES**

PUMP	DISCH. (INCH)	INLET (INCH)	HL	X	Y	Z	CP
6S	6.0	8.0	5.05	12.50	6.50	10.56	23.85



- NOTES:  
 1) All Dimension  $\pm .13$   
 2) Dimension \* C will vary based on motor brand

**CONNECTIONS FOR 125# STANDARD FLANGES**

Motor Frame	Base No.	Riser No.	Guard No.	Guard Ext.	* C	HA	HB	HD	HE	HF	HG	HH	HP	HT	BH
365T	136842	136323	136328	136330	33.48	30.25	62.00	17.75	14.13	53.25	0.38	0.75	4.38	5.00	3.50
405T	136841	136324	136328	136330	38.32	30.25	77.75	17.75	14.13	69.00	0.38	0.75	4.38	5.00	3.50
444T	136841	136324	136329	136331	44.75	30.25	77.75	17.75	14.13	69.00	0.38	0.75	4.38	7.75	3.50
445T	136841	136324	136329	136331	44.75	30.25	77.75	17.75	14.13	69.00	0.38	0.75	4.38	7.75	3.50
447T	136841	136324	136329	136331	48.24	30.25	77.75	17.75	14.13	69.00	0.38	0.75	4.38	7.75	3.50

\* = Quantity 4 Spacer Blocks.

# Type "S"

Models 6S, Large  
Metric (Millimeters)

# WEINMAN®

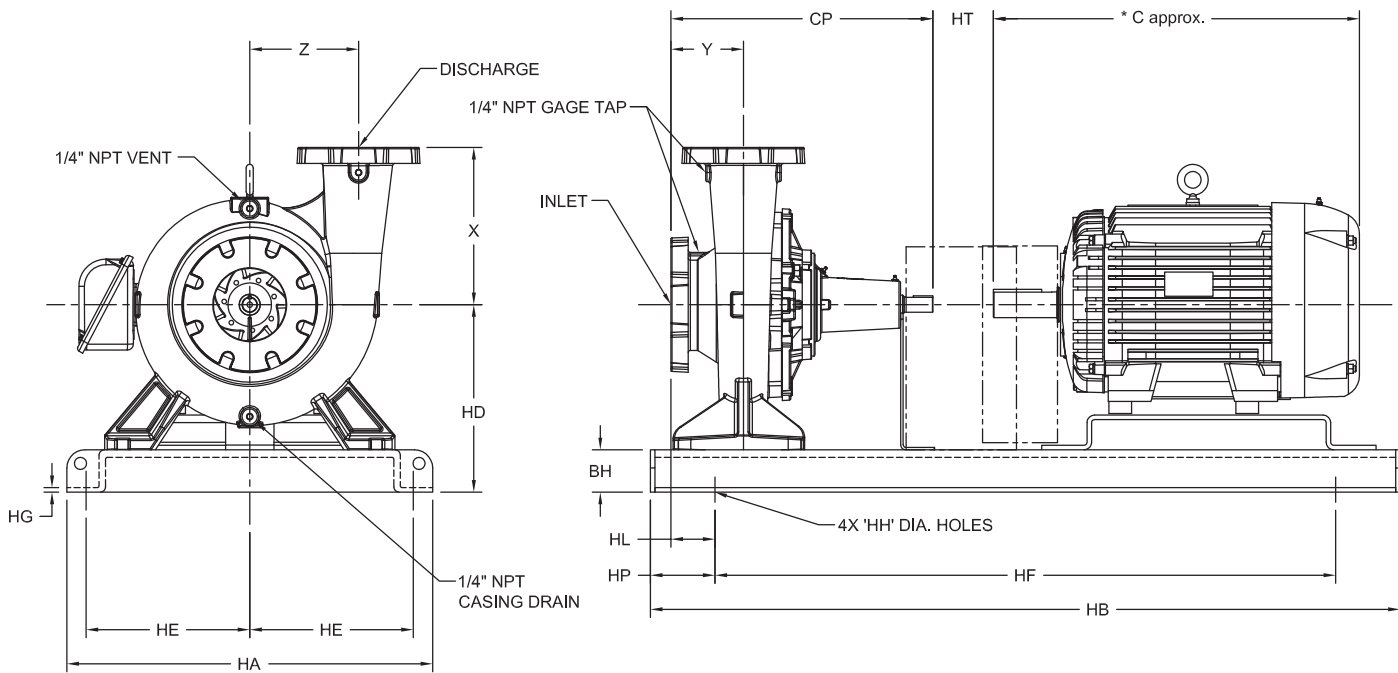
www.cranepumps.com

## End Suction Back Pull-Out

PUMP NO.		PUMP: TDH: GPM:		MOTOR: HP: RPM: PHASE: ENCLOSURE:		VOLTS: HZ: FRAME:	
FOR:		DATE:		FIGURE NO:			
CERT. BY:							

### CONNECTIONS FOR 125# STANDARD FLANGES

PUMP	DISCH. (INCH)	INLET (INCH)	HL	X	Y	Z	CP
6S	6.0	8.0	128	318	165	268	606



- NOTES:  
1) All Dimension  $\pm$  3mm  
2) Dimension \* C will vary based on motor brand

### CONNECTIONS FOR 125# STANDARD FLANGES

Motor Frame	Base No.	Riser No.	Guard No.	Guard Ext.	* C	HA	HB	HD	HE	HF	HG	HH	HP	HT	BH
365T	136842	136323	136328	136330	850	768	1575	451	359	1353	10	19	111	127	89
405T	136841	136324	136328	136330	973	768	1975	451	359	1753	10	19	111	127	89
444T	136841	136324	136329	136331	1137	768	1975	451	359	1753	10	19	111	197	89
445T	136841	136324	136329	136331	1137	768	1975	451	359	1753	10	19	111	197	89
447T	136841	136324	136329	136331	1225	768	1975	451	359	1753	10	19	111	197	89

\* = Quantity 4 Spacer Blocks.

SECTION 575  
PAGE 108  
DATE 3/16

**CRANE**  
A Crane Co. Company

PUMPS & SYSTEMS

USA: (937) 778-8947 • Canada: (905) 457-6223 • International: (937) 615-3598