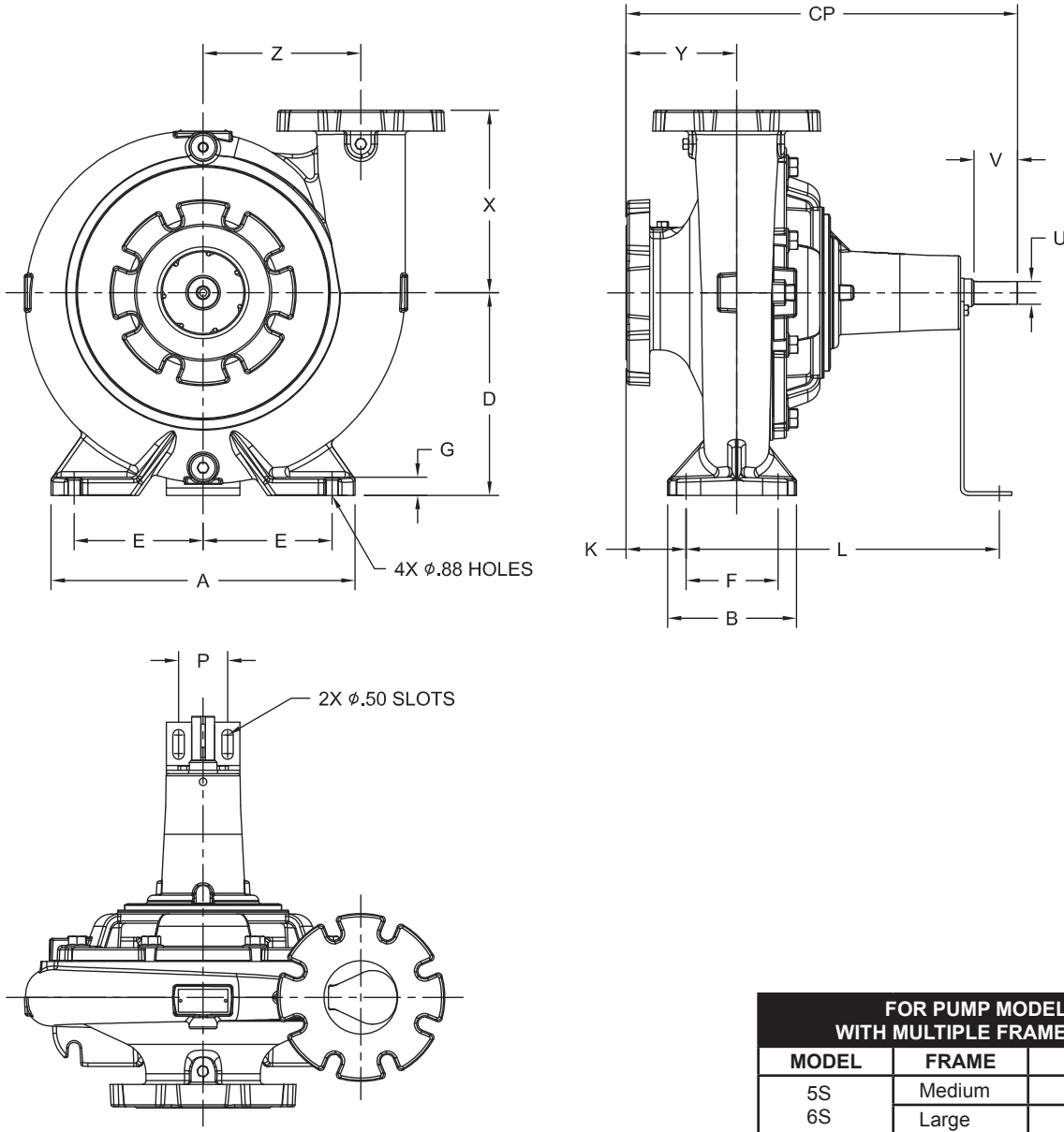


End Suction Back Pull-Out

PUMP NO.	PUMP:	MOTOR:	VOLTS:
FOR:	TDH:	HP:	HZ:
CERT. BY:	GPM:	RPM:	FRAME:
DATE:	FIGURE NO:	PHASE:	
		ENCLOSURE:	



FOR PUMP MODELS WITH MULTIPLE FRAME SIZES		
MODEL	FRAME	RPM
5S	Medium	1150
6S	Large	1450/1760

CONNECTIONS FOR 125# STANDARD FLANGES

Pump	Frame	Disch. (INCH)	Inlet (INCH)	A	B	D	E	2E	F	G	K	L	P	U	V	X	Y	Z	CP
5S	M	5.0	6.0	21.50	7.88	14.25	8.81	17.62	5.90	1.00	3.55	17.88	2.75	1.25	1.98	12.38	5.75	10.10	21.48
	18.20											1.75		3.50	23.85				
6S	M	6.0	8.0	21.50	7.88	14.25	8.81	17.62	5.90	1.00	3.55	17.82	2.75	1.25	1.98	12.50	6.50	10.56	22.40
	18.20											1.75		3.50	23.85				

Type "S"

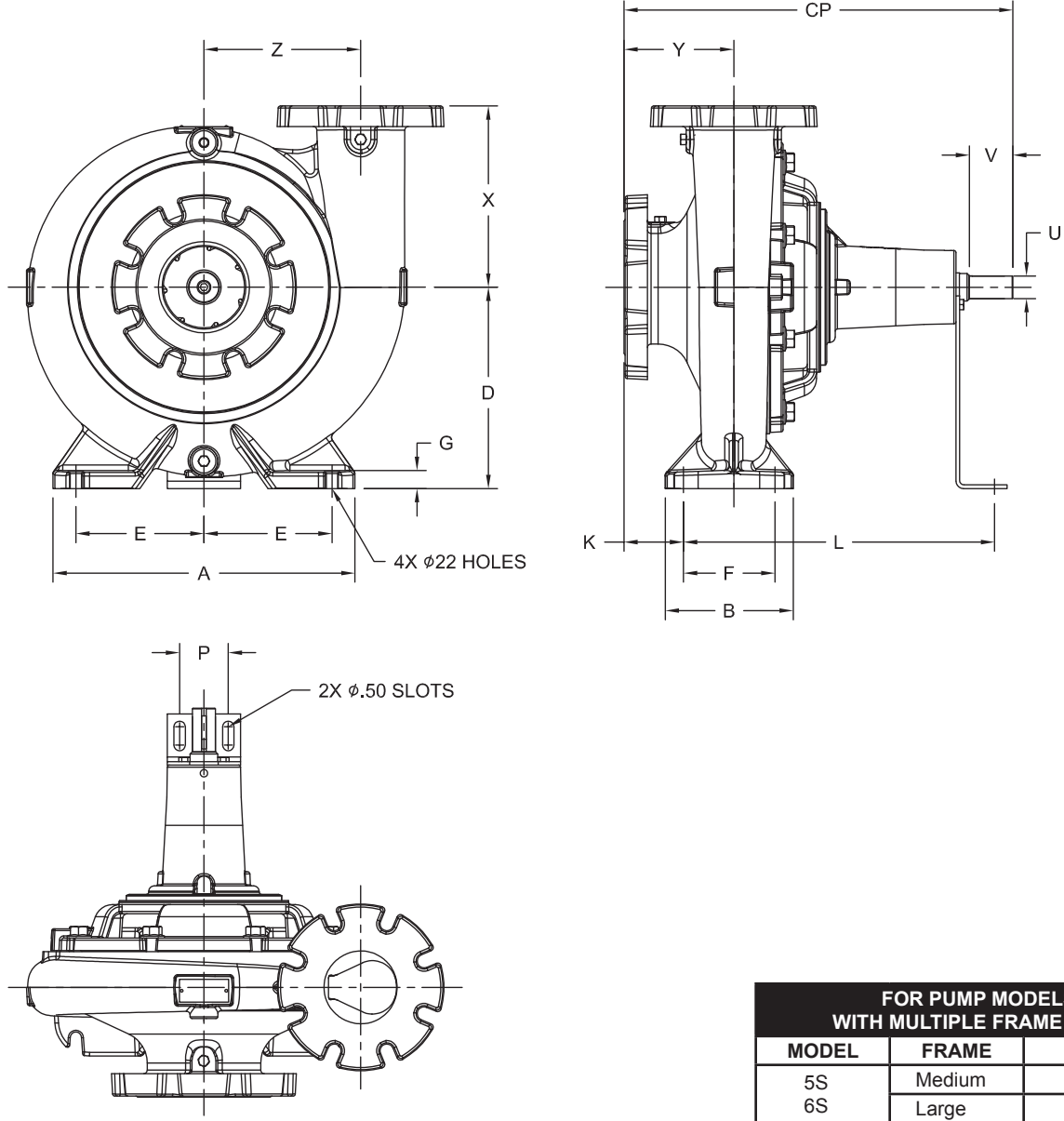
Models 5S, 6S
Metric (Millimeters)

WEINMAN®

www.cranepumps.com

End Suction Back Pull-Out

PUMP NO.	PUMP: TDH: GPM:	MOTOR: HP: RPM: PHASE: ENCLOSURE:	VOLTS: HZ: FRAME:
FOR:	FIGURE NO:		
CERT. BY:	DATE:		



CONNECTIONS FOR 125# STANDARD FLANGES

Pump	Frame	Disch. (INCH)	Inlet (INCH)	A	B	D	E	2E	F	G	K	L	P	U	V	X	Y	Z	CP
5S	M	5.0	6.0	546	200	362	224	448	150	25	90	454	70	32	50	314	146	257	546
	462											44		89	606				
6S	M	6.0	8.0	546	200	362	224	448	150	25	90	453	70	32	50	318	165	268	569
	462											44		89	606				

SECTION 575
PAGE 54
DATE 11/16

CRANE
A Crane Co. Company

PUMPS & SYSTEMS

USA: (937) 778-8947 • Canada: (905) 457-6223 • International: (937) 615-3598