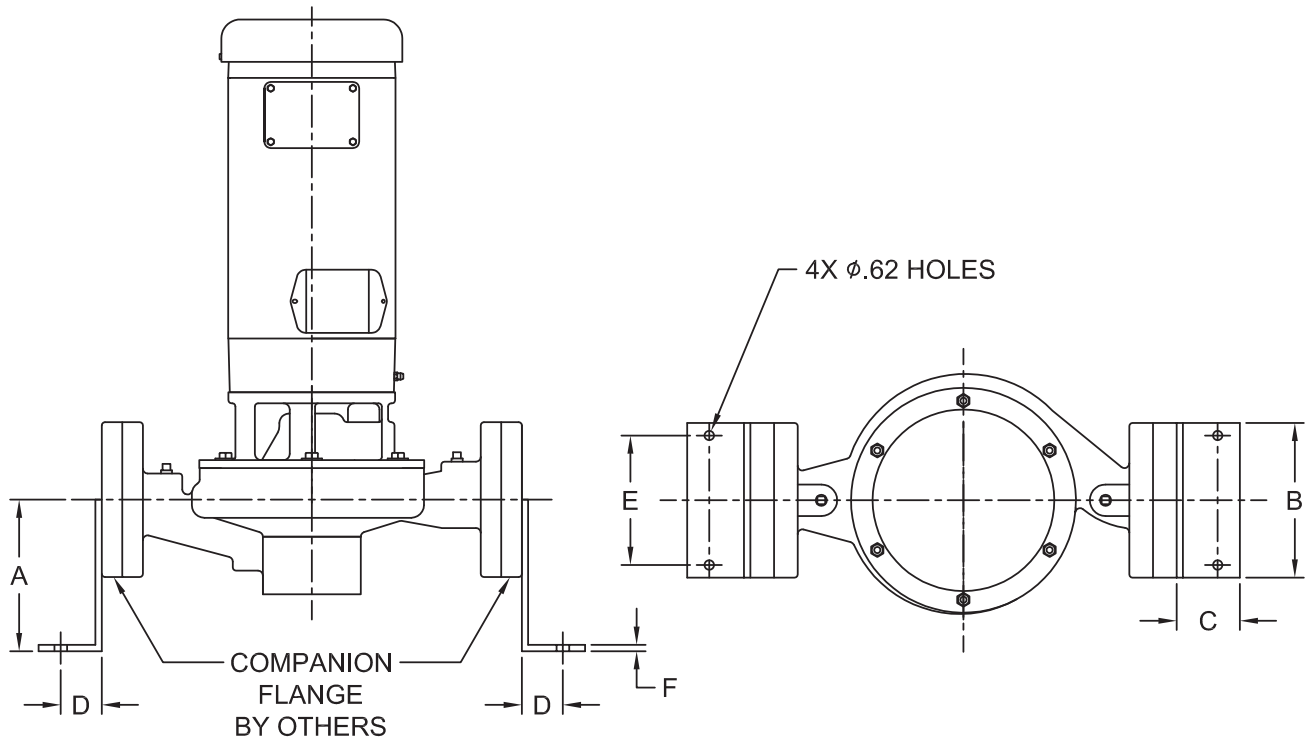


Close Coupled In-Line Pumps

PUMP NO.	PUMP:	MOTOR:	VOLTS:
FOR:	TDH:	HP:	HZ:
CERT. BY:	GPM:	RPM:	FRAME:
DATE:	ROTATION:	PHASE:	
	FIGURE NO:	ENCLOSURE:	



Part No.	Pump Model	Pump Flange Rating	A	B	C	D	E	F
325625P01-E4	1507	125#	5.00 (127)	5.00 (127)	2.00 (51)	1.375 (35)	3.750 (95)	.19 (5)
325625P02-E4	2007, 2095	125#	6.00 (152)	6.00 (152)	2.00 (51)	1.375 (35)	4.750 (121)	.19 (5)
325625P03-E4	2507, 2595	125#	7.00 (178)	7.00 (178)	2.00 (51)	1.375 (35)	5.750 (146)	.19 (5)
325625P04-E4	3007, 3095	125#	7.50 (191)	7.50 (191)	2.50 (64)	1.875 (48)	6.250 (159)	.25 (6)
325625P05-E4	4007, 4095	250#	9.00 (229)	9.00 (229)	2.50 (64)	1.875 (48)	7.750 (197)	.25 (6)
325625P06-E4	3007, 3095	250#	7.50 (191)	7.50 (191)	2.50 (64)	1.875 (48)	6.250 (159)	.25 (6)
325625P07-E4	6012	125#	9.00 (229)	11.00 (279)	3.00 (76)	2.375 (60)	9.500 (241)	.50 (13)