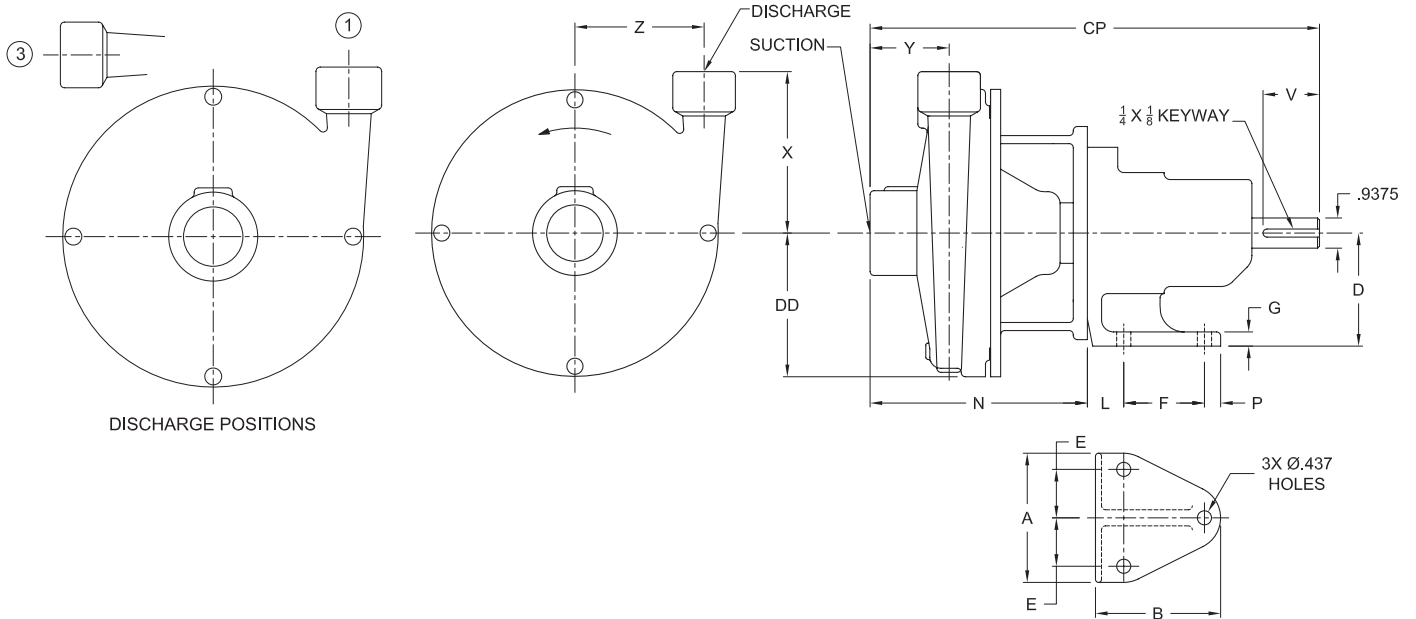


Frame Mounted End Suction, Threaded Connections

PUMP NO.	PUMP:	MOTOR:	VOLTS:
FOR:	TDH:	HP:	HZ:
CERT. BY:	GPM:	RPM:	FRAME:
DATE:	ROTATION:	PHASE:	
	FIGURE NO:	ENCLOSURE:	



Connections - American Standard Taper Pipe Threads																	
Pump	Dis. (NPT)	Inlet (NPT)	A	B	D	E	F	G	L	N	P	V	X	Y	Z	CP	DD
4AE-BA6	1	1.50	4.00	3.88	3.50	1.50	2.50	.38	1.13	6.81	.50	1.75	5.00	2.50	4.00	13.94	4.88
6AC-BA6	1.50	2								7.06				2.63	3.75	14.19	
6AE-BA6	1.50	2								7.31				2.75	4.00	14.44	5.13
8AC-BA6	2	2.50								7.31				2.75	4.00	14.44	5.00