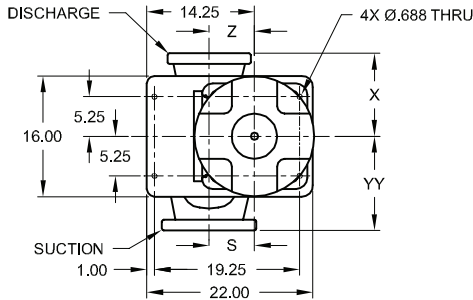


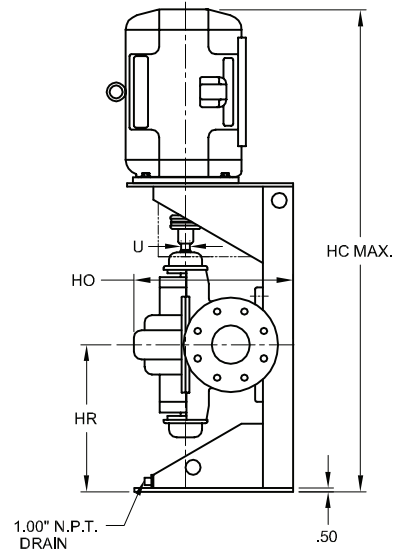
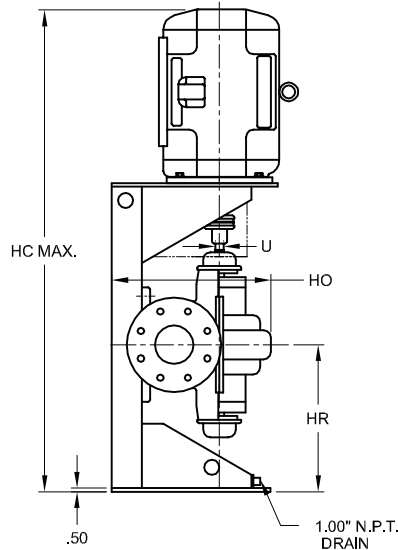
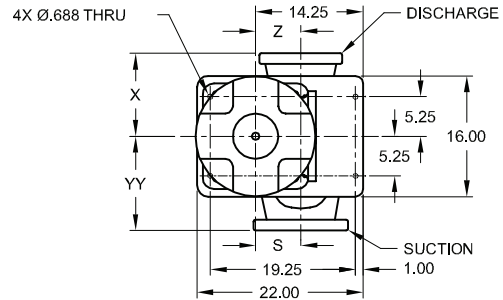
Split Case Pumps - Vertically Mounted

PUMP NO.	PUMP:	MOTOR:	VOLTS:
FOR:	TDH:	HP:	HZ:
CERT. BY:	ROTATION:	RPM:	FRAME:
DATE:	FIGURE NO:	PHASE:	
		ENCLOSURE:	

**FIGURE 1
CLOCKWISE ROTATION**



**FIGURE 2
COUNTER CLOCKWISE ROTATION**



NOT FOR CONSTRUCTION, INSTALLATION OR APPLICATION PURPOSES UNLESS OTHERWISE CERTIFIED

FILE: D00417

DIMENSIONS IN INCHES

PUMP	DISCH.	SUCT.	HO	S	X	YY	Z
2LVM4A	2	3	22.25	5.50	8.00	9.00	5.50
2LVM5	2	3	24.50	6.75	9.00	11.00	7.75
2LVM6	2	3	23.25	6.75	8.00	10.00	6.75
3LVM6	3	4	24.00	7.00	10.00	11.00	7.00
4LVM2	4	5	23.75	6.50	11.75	12.75	7.00
4LVM3	4	5	22.63	5.25	9.25	11.25	5.88
5LVM3	5	6	23.25	6.00	11.00	12.50	6.50

DIMENSIONS IN INCHES

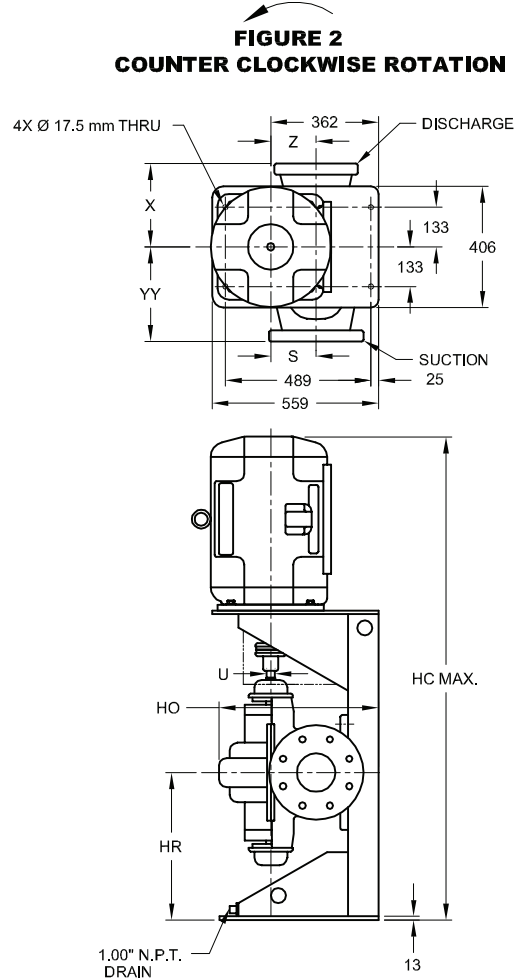
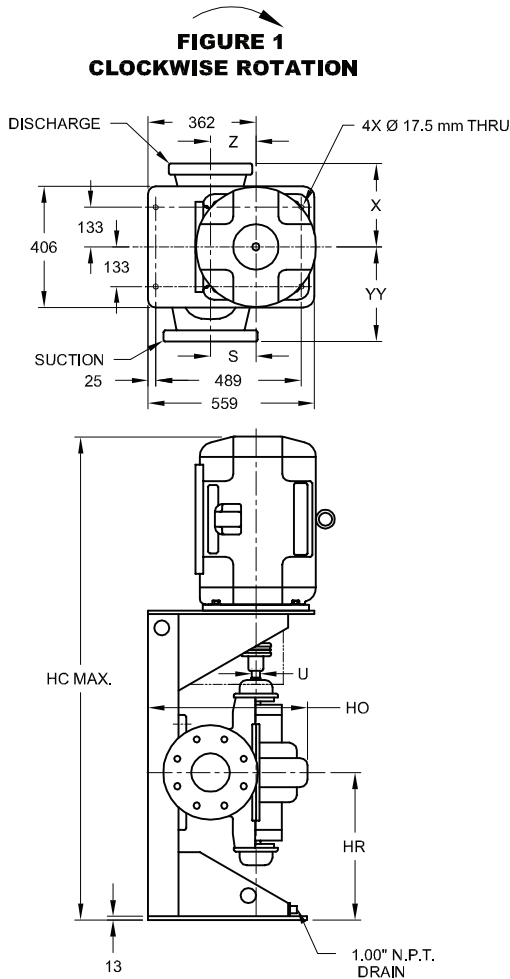
HORSEPOWER			3 PH MOTOR FRAME	HC	HR	SHAFT SEP
3500	1750	1150				
1.5	1	.75	143TC	53.06	21.06	3.5
2 & 3	1.5 & 2	1	145TC	53.06	21.06	3.5
5	3	1.5	182TC	55.63	20.38	3.5
7.5	5	2	184TC	55.63	20.38	3.5
10	7.5	3	213TC	60.69	19.88	5.0
15	10	5	215TC	60.69	19.88	5.0
20	15	7.5	254TC	65.38	19.25	5.0
25	20	10	256TC	65.38	19.25	5.0
30	25	15	284TC	66.88	18.63	5.0
40	30	20	286TC	66.88	18.63	5.0

KEYWAY	U
.25 x .125	.938

NOTES:
1. ALL DIMENSIONS ±.13 EXCEPT WHERE NOTED.
"HR" DIM. ±.25

Split Case Pumps - Vertically Mounted

PUMP NO.	PUMP:	MOTOR:	VOLTS:
FOR:	TDH:	HP:	HZ:
CERT. BY:	ROTATION:	RPM:	FRAME:
DATE:	FIGURE NO:	PHASE:	
		ENCLOSURE:	



NOT FOR CONSTRUCTION, INSTALLATION OR APPLICATION PURPOSES UNLESS OTHERWISE CERTIFIED

FILE: D00417m

DIMENSIONS IN MILLIMETERS (Except where noted)							
PUMP	DISCH. (inch)	SUCT. (inch)	HO	S	X	YY	Z
2LVM4A	2	3	565	140	203	229	140
2LVM5	2	3	622	172	229	279	197
2LVM6	2	3	591	172	203	254	172
3LVM6	3	4	610	178	254	279	178
4LVM2	4	5	603	165	299	324	178
4LVM3	4	5	575	133	235	286	149
5LVM3	5	6	591	152	279	318	165

KEYWAY	U
6.4 x 3.2	23.8

NOTES:

- ALL DIMENSIONS ± 3.3mm EXCEPT WHERE NOTED.
"HR" DIM. ± 6.3mm

DIMENSIONS IN MILLIMETERS (Except where noted)						
HORSEPOWER			3 PH MOTOR FRAME	HC	HR	SHAFT SEP
3500	1750	1150				
1.5	1	.75	143TC	1348	535	89
2 & 3	1.5 & 2	1	145TC	1348	535	89
5	3	1.5	182TC	1413	518	89
7.5	5	2	184TC	1413	518	89
10	7.5	3	213TC	1542	505	127
15	10	5	215TC	1542	505	127
20	15	7.5	254TC	1661	489	127
25	20	10	256TC	1661	489	127
30	25	15	284TC	1699	473	127
40	30	20	286TC	1699	473	127