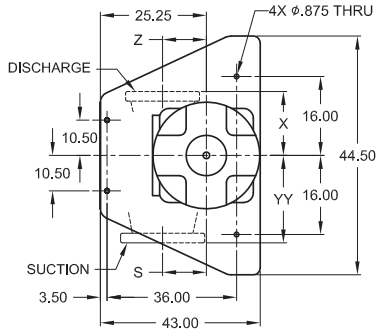


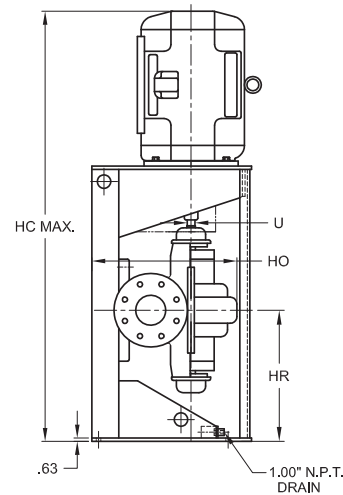
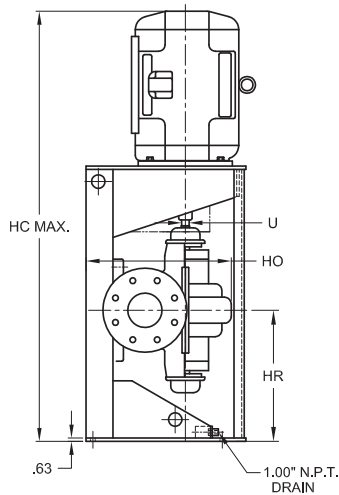
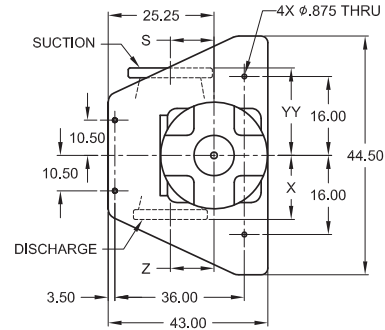
## Split Case Pumps - Vertically Mounted

<b>PUMP NO.</b>	<b>PUMP:</b>	<b>MOTOR:</b>	<b>VOLTS:</b>
<b>FOR:</b>	<b>TDH:</b>	<b>HP:</b>	<b>HZ:</b>
<b>CERT. BY:</b>	<b>ROTATION:</b>	<b>RPM:</b>	<b>FRAME:</b>
<b>DATE:</b>	<b>FIGURE NO:</b>	<b>PHASE:</b>	
		<b>ENCLOSURE:</b>	

**FIGURE 1  
CLOCKWISE ROTATION**



**FIGURE 2  
COUNTER CLOCKWISE ROTATION**



NOT FOR CONSTRUCTION, INSTALLATION OR APPLICATION PURPOSES UNLESS OTHERWISE CERTIFIED

FILE: D00423

**DIMENSIONS IN INCHES**

PUMP	DISCH.	SUCT.	HO	S	X	YY	Z
8LVM1	8	10	39.25	10.50	18.00	18.00	10.50
10LVM2A	10	12	39.50	10.00	20.00	20.00	10.00
12LVM2A,B,C	12	12	40.50	11.25	20.00	20.00	11.25

PUMP	KEYWAY	U
8LVM1	.500 x .250	2.125
10LVM2	.375 x .188	1.750
12LVM2	.500 x .250	2.125

**NOTES:**

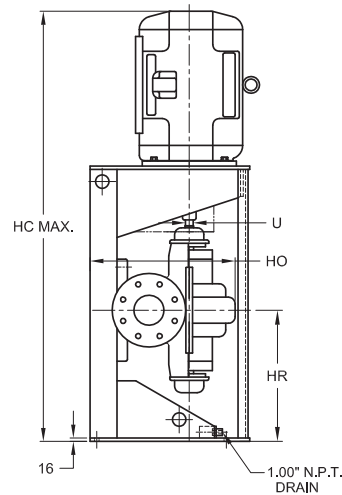
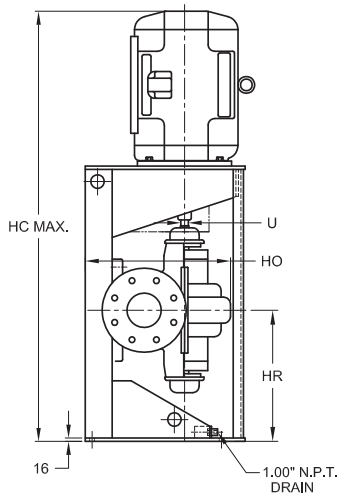
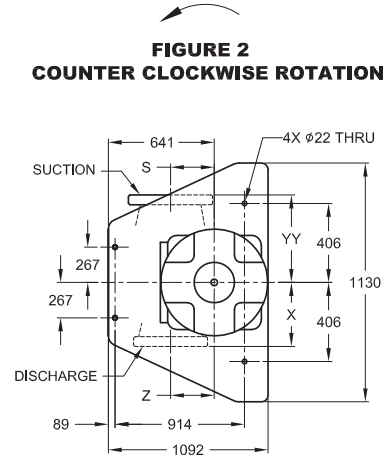
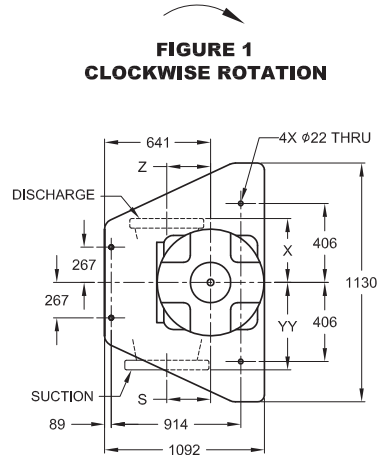
- ALL DIMENSIONS ±.13 EXCEPT WHERE NOTED.  
"HR" DIM. ±.25

**DIMENSIONS IN INCHES**

HORSEPOWER			3 PH MOTOR FRAME	HC	HR	SHAFT SEP
3500	1750	1150				
	25	15	284TC	84.44	28.19	5.0
	30	20	286TC	84.44	28.19	5.0
	40	25	324TC	86.75	27.56	5.0
	50	30	326TC	86.75	27.56	5.0
	60	40	364TC	88.06	26.94	5.0
	75	50	365TC	88.06	26.94	5.0
	100	60	404TSC	88.06	28.56	5.0
	125	75	405TSC	88.06	28.56	5.0
	150	100	444TSC	97.81	28.06	5.0
	200	125	445TSC	97.81	28.06	5.0
250	200		447TSC	102.81	28.06	5.0

## Split Case Pumps - Vertically Mounted

<b>PUMP NO.</b>	<b>PUMP:</b>	<b>MOTOR:</b>	<b>VOLTS:</b>
<b>FOR:</b>	<b>TDH:</b>	<b>HP:</b>	<b>HZ:</b>
<b>CERT. BY:</b>	<b>GPM:</b>	<b>RPM:</b>	<b>FRAME:</b>
<b>DATE:</b>	<b>ROTATION:</b>	<b>PHASE:</b>	
	<b>FIGURE NO:</b>	<b>ENCLOSURE:</b>	



NOT FOR CONSTRUCTION, INSTALLATION OR APPLICATION PURPOSES UNLESS OTHERWISE CERTIFIED FILE: D00423m

**DIMENSIONS IN MILLIMETERS (Except where noted)**

PUMP	DISCH.	SUCT.	HO	S	X	YY	Z
8LVM1	8	10	1000	267	457	457	267
10LVM2A	10	12	1003	254	508	508	254
12LVM2A,B,C	12	12	1029	286	508	508	286

PUMP	KEYWAY	U
8LVM1	12.7 x 6.4	54
10LVM2	9.5 x 4.8	44
12LVM2	12.7 x 6.4	54

**NOTES:**

- ALL DIMENSIONS ± 3.3mm EXCEPT WHERE NOTED.  
"HR" DIM. ± 6.3mm

**DIMENSIONS IN MILLIMETERS (Except where noted)**

HORSEPOWER			3 PH MOTOR FRAME	HC	HR	SHAFT SEP
3500	1750	1150				
	25	15	284TC	2145	716	127
	30	20	286TC	2145	716	127
	40	25	324TC	2203	700	127
	50	30	326TC	2203	700	127
	60	40	364TC	2237	684	127
	75	50	365TC	2237	684	127
	100	60	404TSC	2237	725	127
	125	75	405TSC	2237	725	127
	150	100	444TSC	2484	713	127
	200	125	445TSC	2484	713	127
250	200		447TSC	2611	719	127