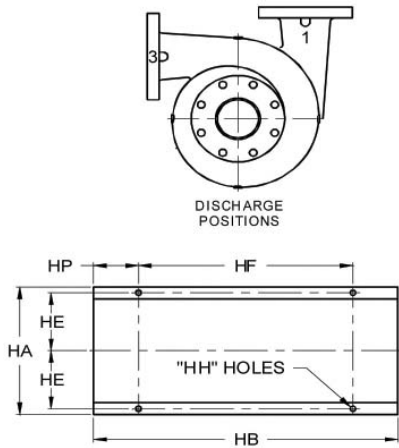
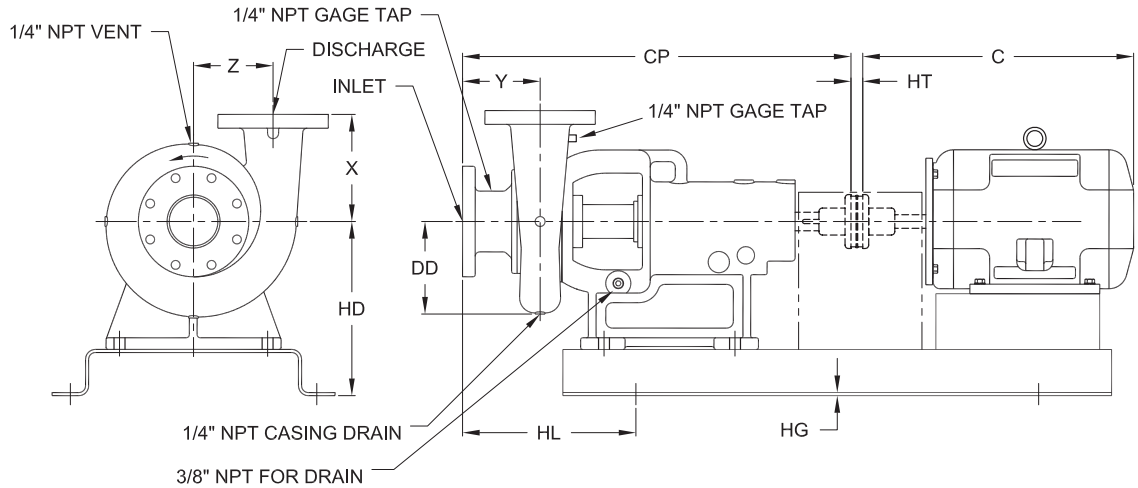


Frame Mounted End Suction, Flanged Connection

PUMP NO.	PUMP:	MOTOR:	VOLTS:
FOR:	TDH:	HP:	HZ:
CERT. BY:	GPM:	RPM:	FRAME:
DATE:	FIGURE NO:	PHASE:	
		ENCLOSURE:	



CONNECTIONS FOR 125# STANDARD FLANGES								
PUMP	DISCH. (INCH)	INLET (INCH)	HL	X	Y	Z	CP	DD
1.5K-4A	1.5	2	11.00	6.50	3.63	5.70	25.31	7.25
1.5K1-4A	1.5	2	11.00	6.50	3.63	5.70	25.31	7.25
1.5KH-4A	1.5	2	11.31	7.50	4.87	6.70	25.50	8.00
2K-4A	2	3	11.11	6.70	3.81	6.00	25.38	7.50
2.5G-4A	2.5	3	11.13	7.70	4.03	4.50	25.38	6.06
2.5K-4A	2.5	3	11.56	7.00	4.10	6.30	25.75	7.69
2.5KH-4A	2.5	3	11.50	7.70	4.24	7.50	25.75	9.44
2.5KH1-4A	2.5	3	11.50	7.70	4.24	7.50	25.75	9.44
3G-4A	3	4	12.19	7.70	4.63	4.80	26.44	6.69
3K-4A	3	4	11.50	7.20	4.53	6.50	25.19	8.13
3K1-4A	3	4	11.50	7.20	4.53	6.50	25.19	8.13
3KH-4A	3	4	11.88	8.50	4.51	7.70	26.13	9.38
3KH1-4A	3	4	11.88	8.50	4.51	7.70	26.13	9.38



NOTES: 1) All dimensions $\pm .13$ 2) Dimension C will vary based on motor brand

DIMENSIONS IN INCHES

MOTOR FRAME	BASE NO.	C		HA	HB	HD	HE	HF	HG	HH	HP	HT
		ODP	TEFC									
182T	010036	13.63	16.13	19.00	36.00	13.00	8.50	28.00	.31	.75	4.00	3.75
184T	010036	13.63	16.13	19.00	36.00	13.00	8.50	28.00	.31	.75	4.00	3.75
213T	011863	15.00	18.63	20.00	44.00	13.00	9.00	36.00	.31	.75	4.00	3.75
215T	011863	17.00	20.13	20.00	44.00	13.00	9.00	36.00	.31	.75	4.00	3.75
254T	011659	20.31	23.75	20.00	44.00	13.00	9.00	36.00	.31	.75	4.00	3.75
256T	011648	22.06	25.50	20.00	44.00	13.00	9.00	36.00	.31	.75	4.00	3.75
284T	010039-SC1	23.38	26.13	20.00	44.00	13.00	9.00	36.00	.31	.75	4.00	3.75
286T	011649	24.88	27.63	24.50	48.00	13.00	11.50	40.00	.31	.75	4.00	3.75
284TS	010040-SC	22.00	24.75	20.00	44.00	13.00	9.00	36.00	.31	.75	4.00	3.75
286TS	010040-SC	23.50	26.25	20.00	44.00	13.00	9.00	36.00	.31	.75	4.00	3.75
324T	011650	25.97	29.69	24.50	48.00	13.00	11.50	40.00	.31	.75	4.00	3.75
326T	094353	27.44	31.19	24.50	48.00	13.00	11.50	40.00	.31	.75	4.00	3.75
324TS	010042	24.44	28.19	20.00	44.00	13.00	9.00	36.00	.31	.75	4.00	3.75
326TS	010042	25.94	29.69	20.00	44.00	13.00	9.00	36.00	.31	.75	4.00	3.75
364TS	010043	29.56	30.00	24.50	48.00	13.00	11.50	40.00	.31	.75	4.00	3.75

Types "G, K & KH"

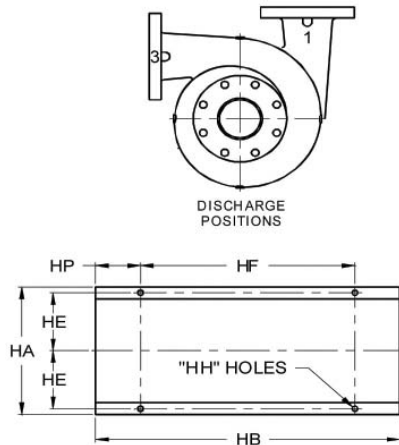
End Suction Frame Pumps No. 4A Bearing Frame,
1.5" - 3" Discharge with Spacer Coupling - Metric (Millimeters)

WEINMAN®

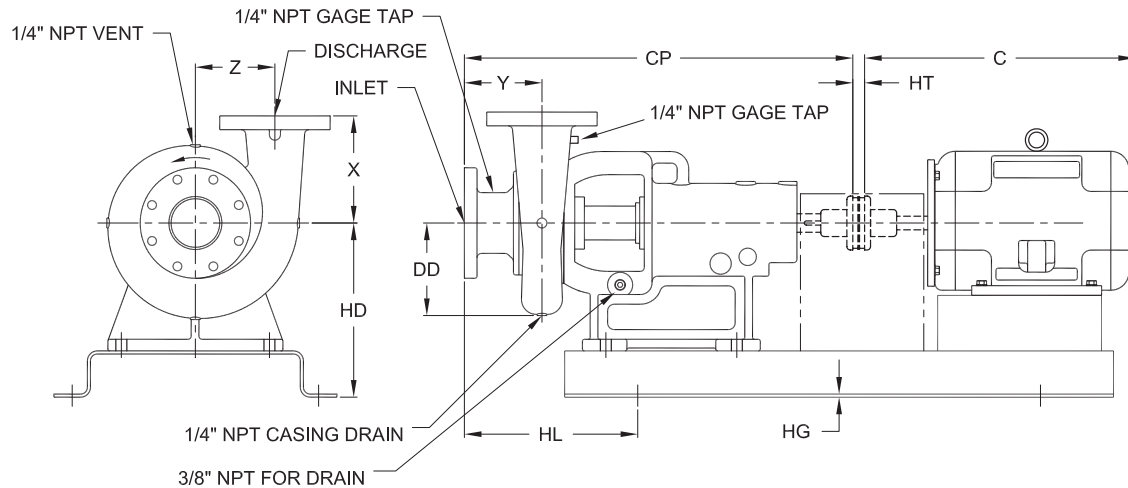
www.cranepumps.com

Frame Mounted End Suction, Flanged Connection

PUMP NO.	PUMP:	MOTOR:	VOLTS:
FOR:	TDH:	HP:	HZ:
CERT. BY:	GPM:	RPM:	FRAME:
DATE:	FIGURE NO:	PHASE:	
		ENCLOSURE:	



CONNECTIONS FOR 125# STANDARD FLANGES								
PUMP	DISCH. (INCH)	INLET (INCH)	HL	X	Y	Z	CP	DD
1.5K-4A	1.5	2	279	165	92	145	643	184
1.5K1-4A	1.5	2	279	165	92	145	643	184
1.5KH-4A	1.5	2	287	191	124	170	648	203
2K-4A	2	3	282	170	97	152	645	191
2.5G-4A	2.5	3	283	196	102	114	645	154
2.5K-4A	2.5	3	294	178	104	160	654	195
2.5KH-4A	2.5	3	292	196	108	191	654	240
2.5KH1-4A	2.5	3	292	196	108	191	654	240
3G-4A	3	4	310	196	118	122	671	170
3K-4A	3	4	292	183	115	165	640	206
3K1-4A	3	4	292	183	115	165	640	206
3KH-4A	3	4	302	216	115	196	664	238
3KH1-4A	3	4	302	216	115	196	664	238



NOTES: 1) All dimensions ± .13 2) Dimension C will vary based on motor brand

DIMENSIONS IN MILLIMETERS

MOTOR FRAME	BASE NO.	C		HA	HB	HD	HE	HF	HG	HH	HP	HT
		ODP	TEFC									
182T	010036	346	410	483	914	330	216	711	8	19	102	95
184T	010036	346	410	483	914	330	216	711	8	19	102	95
213T	011863	381	473	508	1118	330	229	914	8	19	102	95
215T	011863	432	511	508	1118	330	229	914	8	19	102	95
254T	011659	516	603	508	1118	330	229	914	8	19	102	95
256T	011648	560	648	508	1118	330	229	914	8	19	102	95
284T	010039-SC1	594	664	508	1118	330	229	914	8	19	102	95
286T	011649	632	702	622	1219	330	292	1016	8	19	102	95
284TS	010040-SC	559	629	508	1118	330	292	914	8	19	102	95
286TS	010040-SC	597	667	508	1118	330	292	914	8	19	102	95
324T	011650	660	754	622	1219	330	292	1016	8	19	102	95
326T	094353	697	792	622	1219	330	292	1016	8	19	102	95
324TS	010042	621	716	508	1118	330	229	914	8	19	102	95
326TS	010042	659	754	508	1118	330	229	914	8	19	102	95
364TS	010043	751	762	622	1219	330	292	1016	8	19	102	95

SECTION 500
PAGE 22
DATE 4/10

CRANE
A Crane Co. Company

PUMPS & SYSTEMS

USA: (937) 778-8947 • Canada: (905) 457-6223 • International: (937) 615-3598