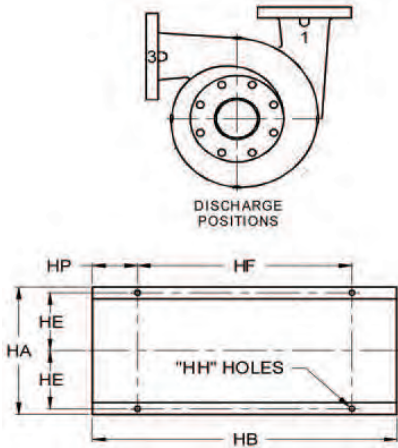
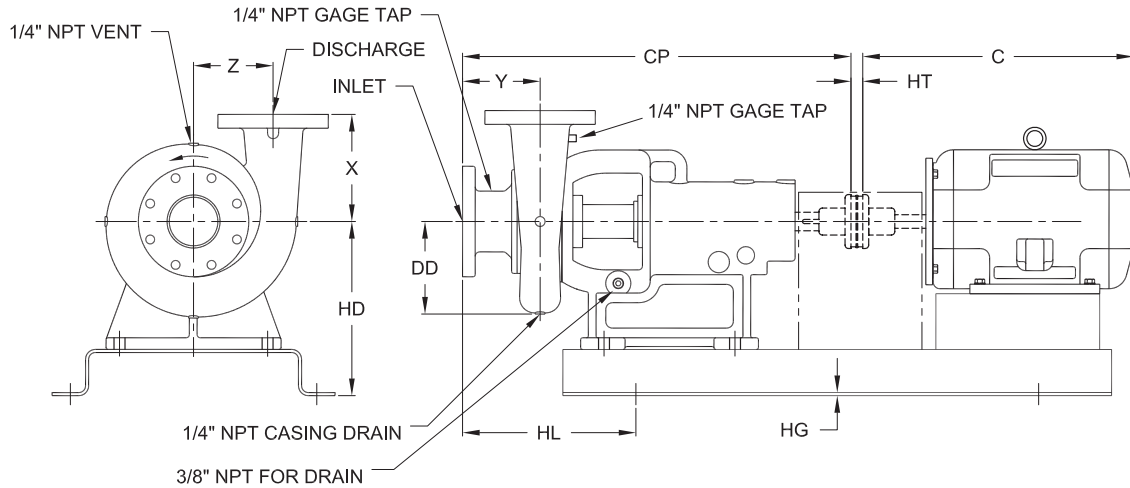


Frame Mounted End Suction, Flanged Connection

PUMP NO. FOR: CERT. BY: _____ DATE: _____	PUMP: TDH: GPM: FIGURE NO.: _____	MOTOR: HP: RPM: PHASE: ENCLOSURE:	VOLTS: HZ: FRAME:
---	--	--	--



CONNECTIONS FOR 125# STANDARD FLANGES								
PUMP	DISCH. (INCH)	INLET (INCH)	HL	X	Y	Z	CP	DD
4G-4A	4	5	12.31	7.70	4.63	5.50	26.63	7.38
4G1-4A	4	5	12.31	7.70	4.63	5.50	26.63	7.38
4GL-4A	4	5	12.31	7.70	4.63	5.50	26.63	7.38
4K-4A	4	5	11.88	10.00	4.99	8.10	26.13	10.75
4KL-4A	4	5	12.63	8.60	5.55	6.70	26.88	8.88
4KS-4A	4	5	11.94	9.75	5.10	8.12	26.25	10.75
5G-4A	5	6	13.44	8.50	6.03	7.20	27.69	9.94
6G-4A	6	8	14.00	9.50	6.53	8.50	28.25	11.44
6K-4A	6	8	13.94	12.00	6.56	9.00	28.06	11.56



NOTES: 1) All dimensions ± .13 2) Dimension C will vary based on motor brand

DIMENSIONS IN INCHES

MOTOR FRAME	BASE NO.	C		HA	HB	HD	HE	HF	HG	HH	HP	HT
		ODP	TEFC									
182T	010036	13.63	16.13	19.00	36.00	13.00	8.50	28.00	.31	.75	4.00	3.75
184T	010036	13.63	16.13	19.00	36.00	13.00	8.50	28.00	.31	.75	4.00	3.75
213T	011863	15.00	18.63	20.00	44.00	13.00	9.00	36.00	.31	.75	4.00	3.75
215T	011863	17.00	20.13	20.00	44.00	13.00	9.00	36.00	.31	.75	4.00	3.75
254T	011659	20.31	23.75	20.00	44.00	13.00	9.00	36.00	.31	.75	4.00	3.75
256T	011648	22.06	25.50	20.00	44.00	13.00	9.00	36.00	.31	.75	4.00	3.75
284T	010039-SC1	23.38	26.13	20.00	44.00	13.00	9.00	36.00	.31	.75	4.00	3.75
286T	011649	24.88	27.63	24.50	48.00	13.00	11.50	40.00	.31	.75	4.00	3.75
284TS	010040-SC	22.00	24.75	20.00	44.00	13.00	9.00	36.00	.31	.75	4.00	3.75
286TS	010040-SC	23.50	26.25	20.00	44.00	13.00	9.00	36.00	.31	.75	4.00	3.75
324T	011650	25.97	29.69	24.50	48.00	13.00	11.50	40.00	.31	.75	4.00	3.75
326T	094353	27.44	31.19	24.50	48.00	13.00	11.50	40.00	.31	.75	4.00	3.75
324TS	010042	24.44	28.19	20.00	44.00	13.00	9.00	36.00	.31	.75	4.00	3.75
326TS	010042	25.94	29.69	20.00	44.00	13.00	9.00	36.00	.31	.75	4.00	3.75
364TS	010043	29.56	30.00	24.50	48.00	13.00	11.50	40.00	.31	.75	4.00	3.75

Types "G, K, KL & KS"

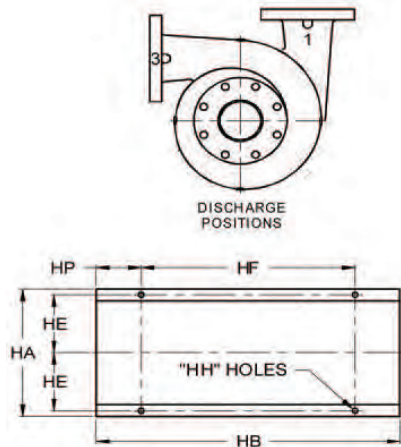
End Suction Frame Pumps No. 4A Bearing Frame
4" - 6" Discharge with Spacer Coupling - Metric (Millimeters)

WEINMAN®

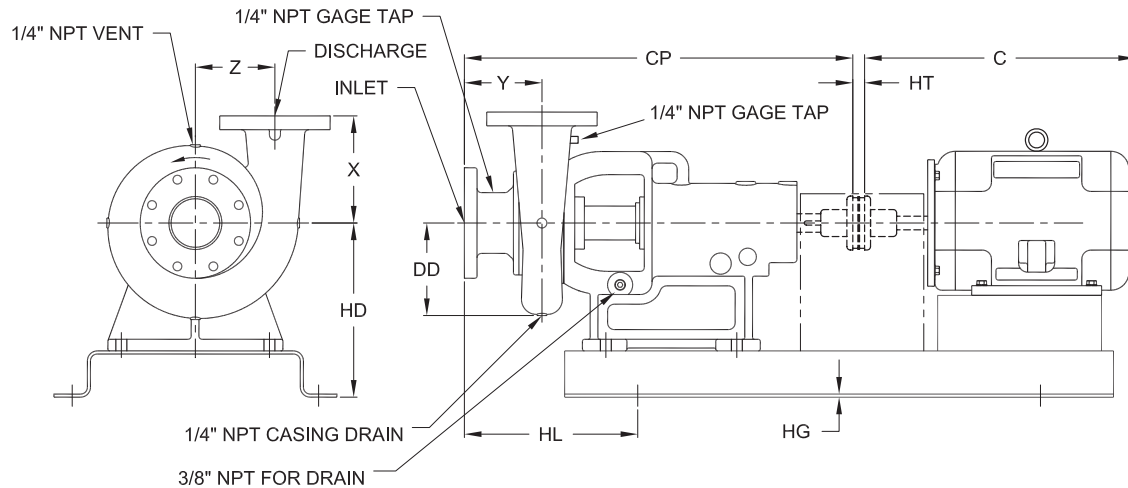
www.cranepumps.com

Frame Mounted End Suction, Flanged Connection

PUMP NO.	PUMP:	MOTOR:	VOLTS:
FOR:	TDH:	HP:	
CERT. BY:	GPM:	RPM:	HZ:
DATE:	FIGURE NO:	PHASE:	FRAME:
		ENCLOSURE:	



CONNECTIONS FOR 125# STANDARD FLANGES								
PUMP	DISCH. (INCH)	INLET (INCH)	HL	X	Y	Z	CP	DD
4G-4A	4	5	313	196	118	140	676	187
4G1-4A	4	5	313	196	118	140	676	187
4GL-4A	4	5	313	196	118	140	676	187
4K-4A	4	5	302	254	127	206	664	273
4KL-4A	4	5	321	218	141	170	683	225
4KS-4A	4	5	303	248	129	206	667	273
5G-4A	5	6	341	216	153	183	703	252
6G-4A	6	8	356	241	166	216	718	290
6K-4A	6	8	354	305	167	229	713	294



NOTES: 1) All dimensions $\pm .13$ 2) Dimension C will vary based on motor brand

DIMENSIONS IN MILLIMETERS

MOTOR FRAME	BASE NO.	C		HA	HB	HD	HE	HF	HG	HH	HP	HT
		ODP	TEFC									
182T	010036	346	410	483	914	330	216	711	8	19	102	95
184T	010036	346	410	483	914	330	216	711	8	19	102	95
213T	011863	381	473	508	1118	330	229	914	8	19	102	95
215T	011863	432	511	508	1118	330	229	914	8	19	102	95
254T	011659	516	603	508	1118	330	229	914	8	19	102	95
256T	011648	560	648	508	1118	330	229	914	8	19	102	95
284T	010039-SC1	594	664	508	1118	330	229	914	8	19	102	95
286T	011649	632	702	622	1219	330	292	1016	8	19	102	95
284TS	010040-SC	559	629	508	1118	330	229	914	8	19	102	95
286TS	010040-SC	597	667	508	1118	330	229	914	8	19	102	95
324T	011650	660	754	622	1219	330	292	1016	8	19	102	95
326T	094353	697	792	622	1219	330	292	1016	8	19	102	95
324TS	010042	621	716	508	1118	330	229	914	8	19	102	95
326TS	010042	659	754	508	1118	330	229	914	8	19	102	95
364TS	010043	751	762	622	1219	330	292	1016	8	19	102	95

SECTION 500
PAGE 24
DATE 10/12

CRANE
A Crane Co. Company

PUMPS & SYSTEMS

USA: (937) 778-8947 • Canada: (905) 457-6223 • International: (937) 615-3598