

quality . service
innovation . integrity

Model 212



"The color green is a registered trademark of Zoeller Pump Co."

Features

The Model 212 submersible pump is designed for use in residential or light commercial sewage applications and can be used to transfer groundwater, effluent or sewage. The pump includes a cast iron motor housing with a corrosion-resistant, baked-on enamel finish and is designed to provide great heat dissipation from the motor, ensuring a long service life. As with every Zoeller pump, each one is 100% pressure-tested, submerged and run to ensure quality and reliability for years of trouble-free performance! This attention to detail is an inherent feature of every pump, making it one of the most reliable in the industry.

- Includes an integrated vertical float switch.
- Includes a plastic carrying handle for easy transport.
- Hermetically sealed to be watertight, dust-tight, and completely submersible.

Specifications

Motor Characteristics

Motor	1/2 HP
Voltage	115 V
Phase	1 Ph
Hertz	60 Hz
RPM	3400 RPM
Type	Permanent split capacitor
Insulation	Class B
Amps	6.6 Amps

Pump Characteristics

Operation	Automatic
Auto On/ Off Points	11-1/2" (29 cm), 5-1/4" (13 cm)
Discharge Size	2" NPT
Solids Handling	2" (50 mm) spherical solids
Cord Length	10' (3 m) - 20' (6 m)
Cord Type	UL listed with 3-wire, grounded plug
Max Head	19-1/2' (5.9 m)
Max Flow Rate	82 GPM (310 LPM)
Max Operating Temp	104 °F (40 °C)
Cooling	Oil filled
Motor Protection	Auto reset thermal overload

Materials Characteristics

Motor Housing	Cast iron
Pump Housing	Engineered plastic
Base	Engineered plastic
Upper Bearing	Ball bearing
Lower Bearing	Ball bearing
Mechanical Seals	Carbon and ceramic
Impeller Type	Non-clogging vortex
Impeller	Engineered plastic
Hardware	Stainless steel
Motor Shaft	SUS 420J2 stainless steel
Gasket	NBR



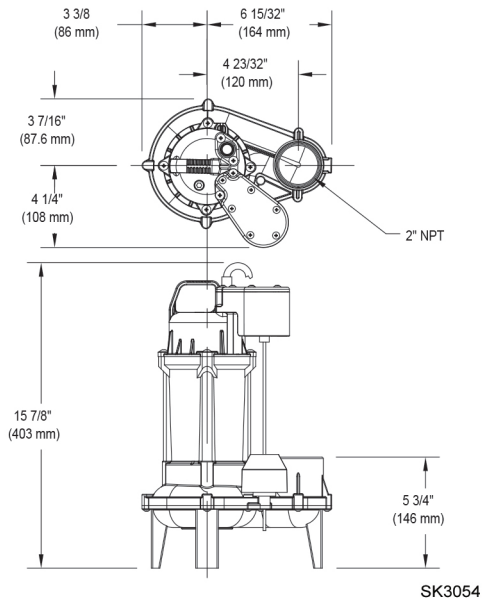
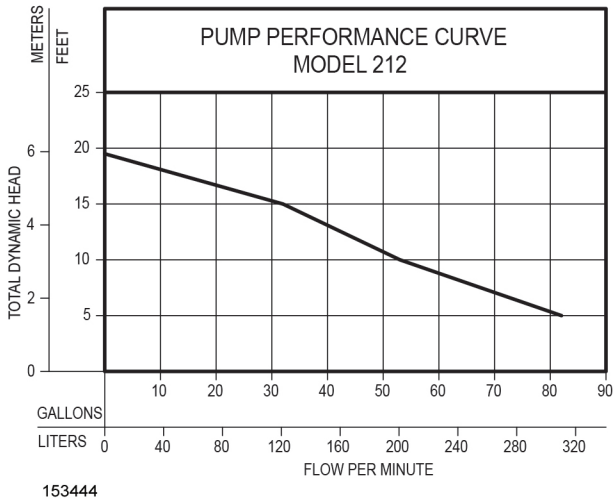
PUMP COMPANY

Zoeller Family of Water Solutions™

FM2932_Ea

Updated 0317
Supersedes 0416

Model 212



Model

Model Number	Seal	Mode	Volts	Phase	Amps	HP	Hz	Lbs	Kg
M212	Single	Auto	115	1	6.6	1/2	60	16.8	7.6
N212	Single	Non	115	1	6.6	1/2	60	16.3	7.4
BN212	Single	Auto	115	1	6.6	1/2	60	17.8	8.1

Your Peace of Mind is Our Top Priority®
3649 Cane Run Rd | Louisville, KY 40211 USA

+1 502-778-2731 | 1-800-928-7867 | Fax: +1 502-774-3624

www.zoeller.com