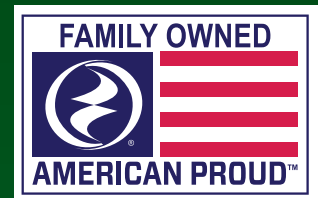


MODEL 73



Sump Pump

ZOELLER 
PUMP COMPANY

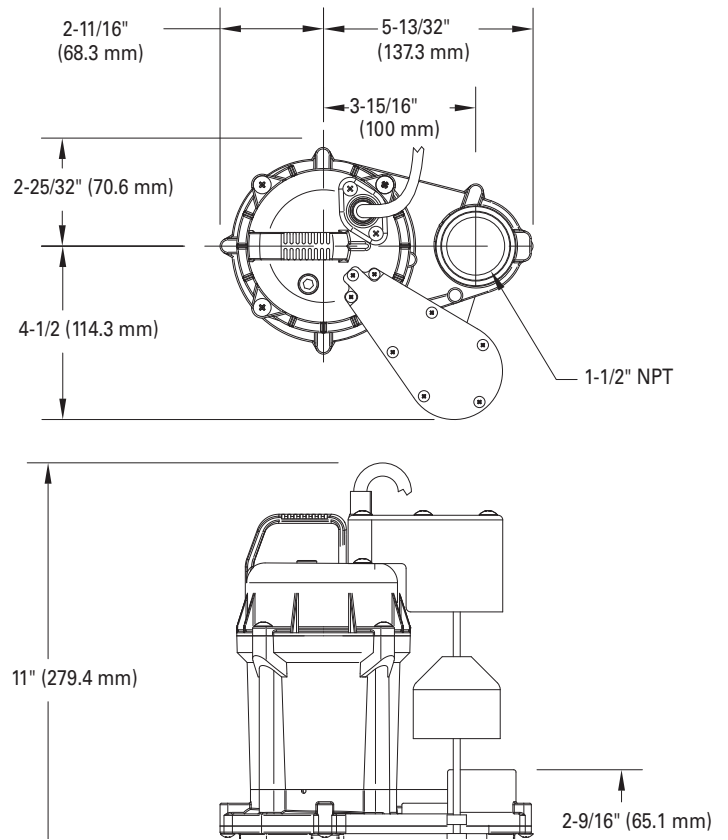
zoellerpumps.com | 800-928-7867 | 3649 Cane Run Rd., Louisville, KY 40211

Features:

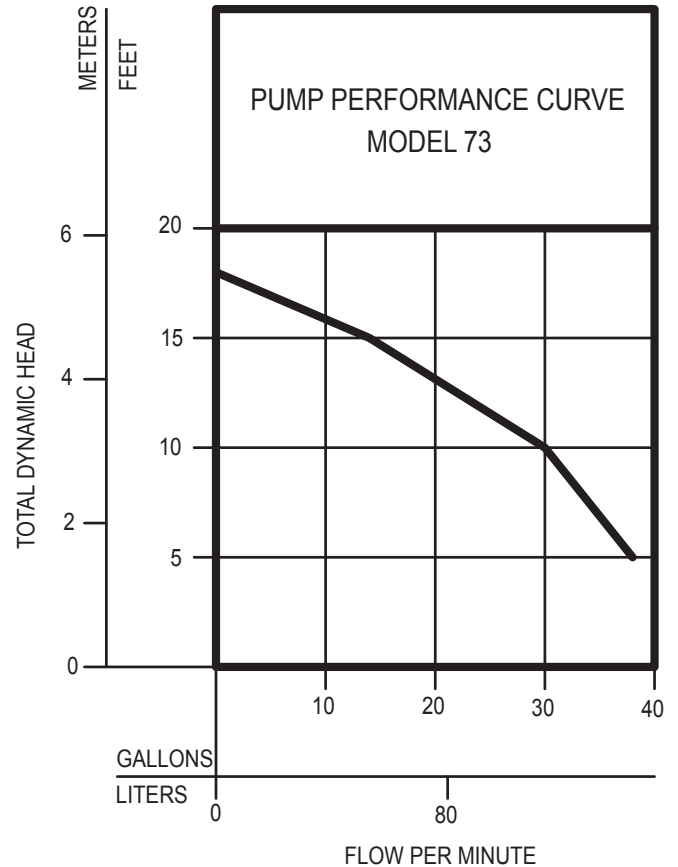
- Energy saving product
- 2-year warranty
- Reliable integrated vertical switch
- 1/3 HP 115 V sump pump
- Performance up to 18' (5.5 m) TDH
- Flows up to 38 GPM (144 LPM)
- Rugged cast iron motor housing
- Engineered plastic base
- Corrosion-resistant, powder coated epoxy paint

PRODUCT SPECIFICATIONS

MOTOR	Horse Power	1/3
	Voltage	115
	Phase	1 Ph
	Hertz	60 Hz
	RPM	3450
	Type	Permanent split capacitor
	Insulation	Class B
	Amps	5.5
PUMP	Operation	Automatic
	Auto On/Off Points	6-1/2" (16.5 cm) / 2-1/2" (6.3 cm)
	Discharge Size	1-1/2" NPT
	Solids Handling	3/8" (9 mm) spherical solids
	Cord Length	9'
	Cord Type	UL listed with 3 prong plug
	Max. Head	18' (5.5 m)
	Max. Flow Rate	38 GPM (144 LPM)
	Max. Operating Temp.	104 °F (40 °C)
	Cooling	Oil filled
Motor Protection	Auto reset thermal overload	
MATERIALS	Motor Housing	Cast iron
	Pump Housing	Engineered plastic
	Base	Engineered plastic
	Upper Bearing	Ball bearing
	Lower Bearing	Ball bearing
	Mechanical Seals	Carbon and ceramic
	Impeller Type	Non-clogging vortex
	Impeller	Engineered plastic
	Hardware	Stainless steel
	Motor Shaft	410 stainless steel
	Gasket	NBR



SK3021



CAUTION

All installation of controls, protection devices and wiring should be done by a qualified licensed electrician. All electrical and safety codes should be followed including the most recent National Electrical Code (NEC) and the Occupational Safety and Health Act (OSHA).