

Product information presented here reflects conditions at time of publication. Consult factory regarding discrepancies or inconsistencies.

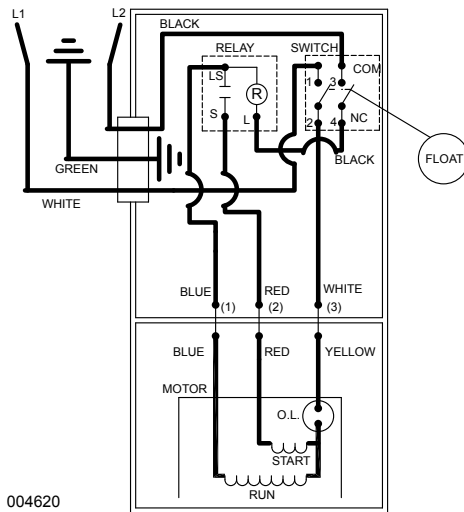
REPLACEMENT PARTS LIST FOR MODELS:

M137 AUTOMATIC 115V
D137 NONAUTOMATIC 230V
N137 AUTOMATIC 115V
E137 NONAUTOMATIC 230V

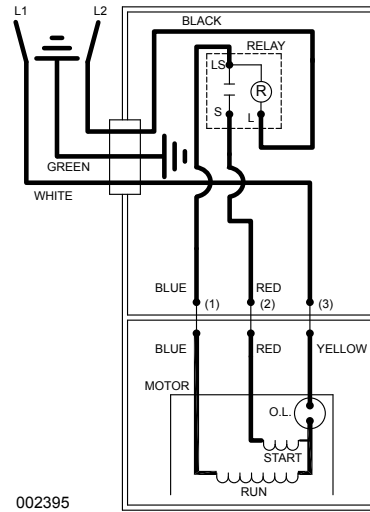
Consult factory for all other models

TO ORDER REPLACEMENT PARTS
PLEASE FURNISH THE FOLLOWING INFORMATION:

- Model number
- Part number of pump
- Part number and description of part



004620
 WIRING DIAGRAM FOR MODELS
 "M137-C" and "D137-C"
 9/86 thru Present



002395
 WIRING DIAGRAM FOR MODELS
 "N137-C" and "E137-C"
 9/86 thru Present

REPLACEMENT PARTS LIST FOR MODELS “M137” and “D137”.

See back page for “M137” and “D137” illustration.

MODELS:				M137-C	D137-C
REF. NO.	DESCRIPTION	QTY	NOTES	9/86 thru Current	9/86 thru Current
1	• Handle	1		267032	267032
2	Case & Switch Asm "130/260"	1	3	004610	004610
3	• Gasket,Case/Cover	1		267007	267007
4	Relay Asm	1		002474	147135
5	Wire Pkg	1		267014	267014
6	• Seal,Thru Wall Term	3		003402	003402
7	• Plug,Test	2		034090	034090
8	• Clamp,Strain Relief	1	6	NA	NA
9	Cord Term & Seal	1	3, 4	094071	094072
10	• Seal,Cord-Asm	1		094032	094032
11	Bearing,Upper Rotor	1		NA	NA
12	• Guard	1		267008	267008
13	Float-Polypropylene	1		034019	034019
14	• Arm & Seal Asm "130/260"	1	3	004741	004741
15	Case & Switch Asm "130/260"	1	3	004739	004739
16	Switch Asm "130/260"	1	3	004740	004740
▣	Lead Wire (Gray)	1		NA	NA
17	Rod,Float	1		001526	001526
18	Housing,Mtr-&Str Regal Beloit	1	1, 2	002475	002476
	Housing,Mtr-& Str EMD			014797	008642
19	Rotor Asm 115/230V/1Ph Regal B	1	2	267005	267005
	Rotor Asm 115/230V/1Ph EMD			004021	004021
20	• Seal,Mtr Hsg	1		267006	267006
21	• Washer,Trst-Nyl.875X.504X.050"	1		002140	002140
22	Bearing,Sleeve-Lower Rotor	1		NA	NA
23	Housing,Pump-Mach	1		137004	137004
24	• Oil,Dielectric	1		267056	267056
25	Guide Asm, Float Rod	1		004676	004676
26	• Seal Asm	1		267027	267027
27	Impeller	1	4	137006	137006
28	Base & Plate	1		001509	001509
29	Strainer Plate	1		137008	137008
30	• Screw .25-20x.75HHm-SS	9		001916	001916
31	• Screw,#6-32X.438/Rh/Pan Head/	2		004644	004644
32	• Screw,#10-24 X.375 RHM-SI SS	3		001883	001883
33	• Screw,Sem/10-24 X .375 HH-SI	2		002000	002000
34	• Screw,#6-32X.25RHM SI Tc Slgr	3		001877	001877
35	Screw,.25-20X.875"Lg HH SS/	4		012491	012491
▣	Rebuild Kit	1		004743	004743

• Items included in Rebuild Kit.

▣ Not shown in illustration

NOTES:

- 1) Mtr. Hsg., Brg., Stator & Term. (Item 18) are preassembled at the factory and must be replaced as a unit. Stator is permanently attached to the Motor Housing. Plug (Item 7); Seal, Thru Wall Term. (Item 6) and Bearing - Upper (Item 11) are replaceable.
- 2) When ordering Motor Housing, Bearing, Stator and Term. (Item 18) or Rotor (Item 16) specify either GE or Emerson motor. GE motor can be identified by (4) half oval slots spaced at 90° around the outside diameter or the stator. Emerson motor can be identified by (2) half oval slots or holes spaced 180° around the outside diameter of the stator.
- 3) If an "X" follows Model No., or Date Mfg. on brass ID tag, consult factory for ordering any parts.
- 4) See FM0160 Parts Price Sheet for listing of parts prices.
- 5) "NA" indicates, not applicable.
- 6) Clamp, Strain Relief (Item 8) is not sold separately, must order Seal, Cord Asm (Item 10).

REPLACEMENT PARTS LIST FOR MODELS "N137" and "E137".

See back page for "N137" and "E137" illustration.

				MODELS:	
				N137-C	E137-C
REF. NO.	DESCRIPTION	QTY	NOTES	9/86 VS thru Current	9/86 VS thru Current
1	• Handle	1		267032	267032
2	Cover & Handle Asm	1		267051	267051
3	Cover-Mach	1		267052	267052
4	• Gasket,Case/Cover	1		267007	267007
5	Relay Asm	1		002474	147135
6	Wire Pkg	1		267014	267014
7	• Seal,Thru Wall Term	3		003402	003402
8	• Plug,Test	1		034090	034090
9	• Clamp,Strain Relief	1	3, 6	NA	NA
10	Cord Term & Seal	1	3	153878	153879
11	• Seal,Cord-Asm	1		094032	094032
12	Bearing,Upper Rotor	1		NA	NA
13	• Retainer, Handle	1		267053	267053
14	Housing, Mtr Regal Beloit	1	1, 2	002475	002476
	Housing, Mtr EMD			014797	008642
15	• Oil,Dielectric	1		267056	267056
16	Rotor Asm Regal Beloit	1	2	267005	267005
	Rotor Asm EMD			004021	004021
17	• Seal,Mtr Hsg	1		267006	267006
18	• Washer,Thrust	1		002140	002140
19	Bearing,Sleeve-Lower Rotor	1		NA	NA
20	Housing,Pump-Mach	1		137004	137004
21	• Seal Asm	1		267027	267027
22	Impeller	1		137006	137006
23	Base & Plate Asm	1		001509	001509
24	Strainer Plate	1		137008	137008
25	• Screw,#6-32X.25RHM SI Tc Stlgr	3		001877	001877
26	• Screw,.25-20X.75 Hhm-SS/Indent	9		001916	001916
27	• Screw,#10-24 X.375 RHM-SI SS	3		001883	001883
28	• Screw,Sem/10-24 X.375 RHM-SI	2		002000	002000
29	• Screw, #.25-20 X .75 HH	1		012491	012491
▣	Rebuild Kit	1		004743	004743

- Items included in Rebuild Kit.
- ▣ Not shown in illustration

NOTES:

- 1) Mtr. Hsg., Brg., Stator & Term. (Item 14) are preassembled at the factory and must be replaced as a unit. Stator is permanently attached to the Motor Housing. Plug (Item 8); Seal, Thru Wall Term. (Item 7) and Bearing - Upper (Item 12) are replaceable.
- 2) When ordering Motor Housing, Bearing, Stator and Term. (Item 14) or Rotor (Item 16) specify either GE or Emerson motor. GE motor can be identified by (4) half oval slots spaced at 90° around the outside diameter or the stator. Emerson motor can be identified by (2) half oval slots or holes spaced 180° around the outside diameter of the stator.
- 3) If an "X" follows Model No., or Date Mfg. on brass ID tag, consult factory for ordering any parts.
- 4) See FM0160 Parts Price Sheet for listing of parts prices.
- 5) "NA" indicates, not applicable.
- 6) Clamp, Strain Relief (Item 9) is not sold separately, must order Seal, Cord Asm (Item 11).



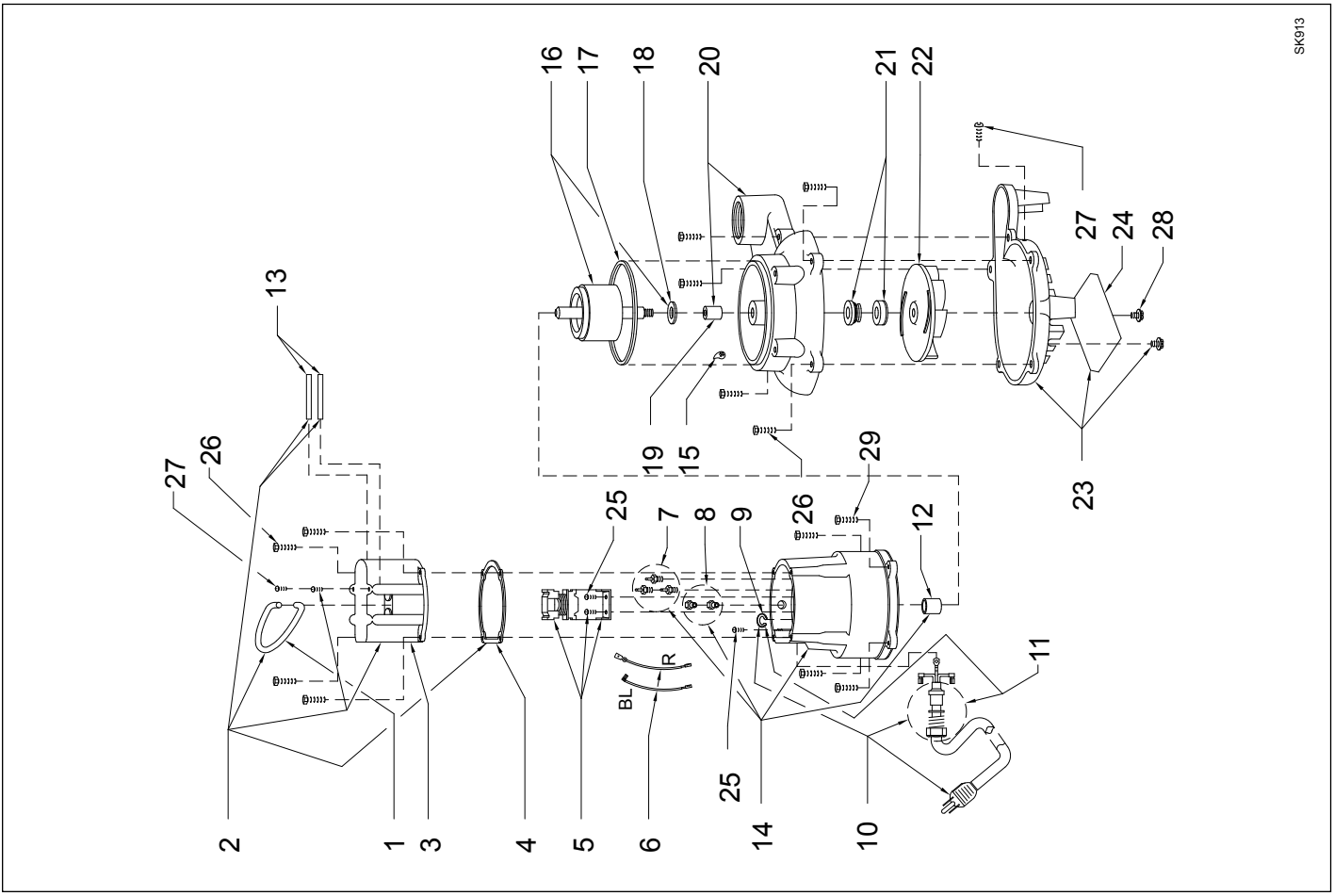
PUMP COMPANY

MAIL TO: P.O. BOX 16347 • Louisville, KY 40256-0347
 SHIP TO: 3649 Cane Run Road • Louisville, KY 40211-1961
 (502) 778-2731 • 1 (800) 928-PUMP • FAX (502) 774-3624

Your Peace of Mind is Our Top Priority®

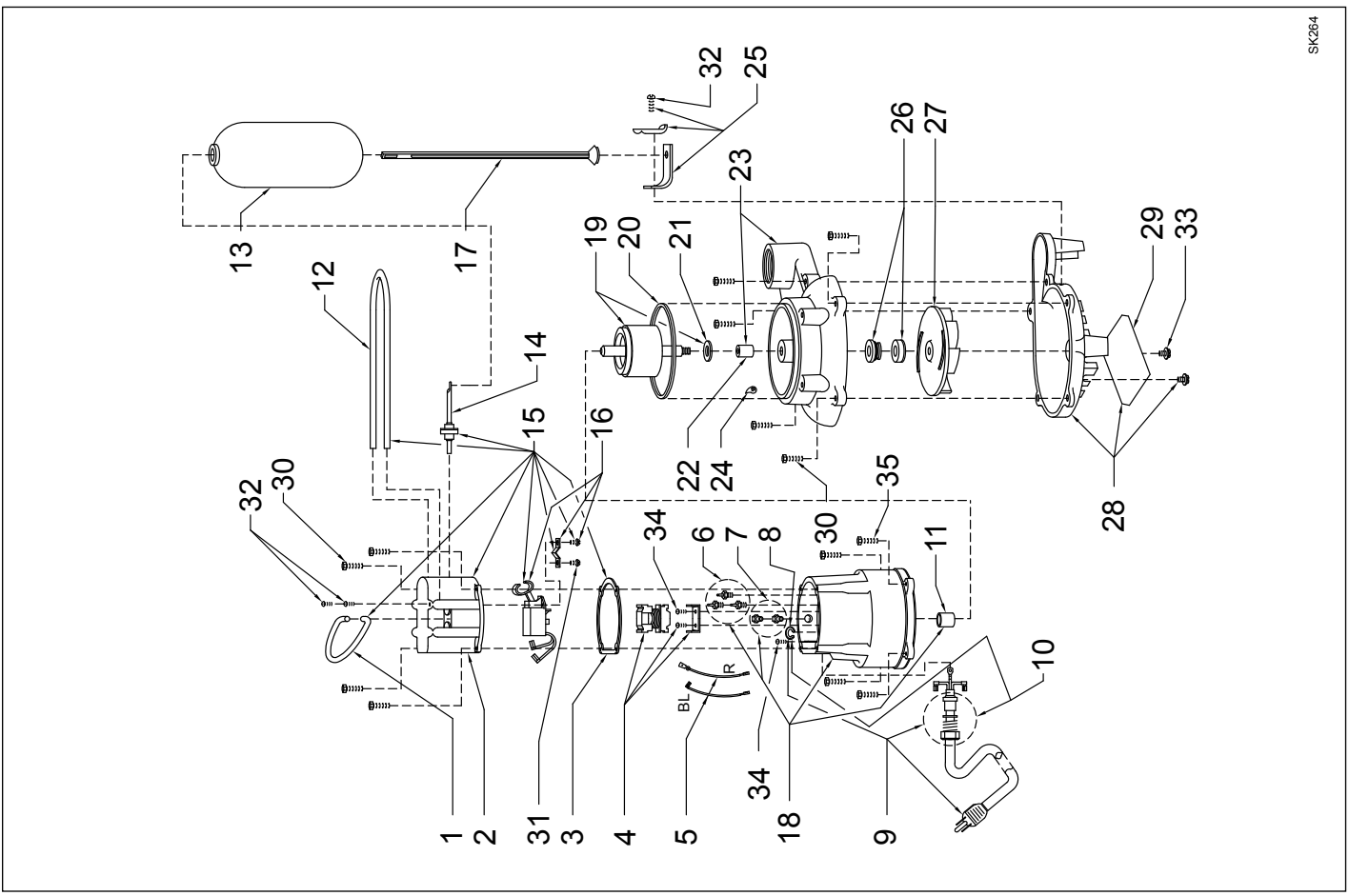
**visit our web site:
www.zoeller.com**

REPLACEMENT PARTS ILLUSTRATION FOR MODELS "N137" AND "E137"



SK613

REPLACEMENT PARTS ILLUSTRATION FOR MODELS "M137" AND "D137"



SK264