

Product information presented here reflects conditions at time of publication. Consult factory regarding discrepancies or inconsistencies.

**PUMP COMPANY**

Zoeller Family of Water Solutions™

MAIL TO: P.O. BOX 16347 • Louisville, KY 40256-0347  
SHIP TO: 3649 Cane Run Road • Louisville, KY 40211-1961  
(502) 778-2731 • 1 (800) 928-PUMP • FAX (502) 774-3624

visit our web site:  
[www.zoeller.com](http://www.zoeller.com)

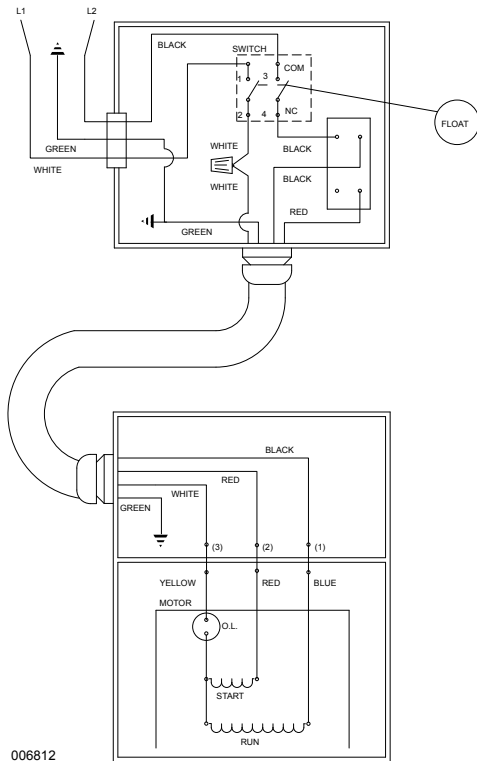
# REPLACEMENT PARTS LIST FOR MODELS:

- M3098 AUTOMATIC 115V**
- D3098 AUTOMATIC 230V**
- N3098 NONAUTOMATIC 115V**
- E3098 NONAUTOMATIC 230V**

Consult factory for all other models.

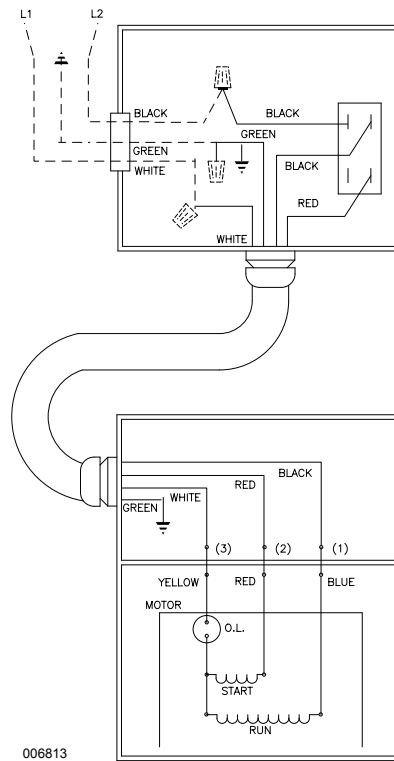
**TO ORDER REPLACEMENT PARTS:**  
**PLEASE FURNISH THE FOLLOWING INFORMATION:**

- Model number
- Part number of pump
- Part number and description of part



WIRING DIAGRAM FOR MODELS  
M3098 and D3098  
ALL REVISIONS

006812



WIRING DIAGRAM FOR MODELS  
N3098 and E3098  
ALL REVISIONS

006813

# REPLACEMENT PARTS LIST FOR MODELS "M3098" and "D3098"

See back page for "M3098" and "D3098" illustration.

REF NO.	DESCRIPTION	QTY	NOTES	MODELS:					D3098-A	D3098-B	D3098-C	D3098-D
				M3098-A	M3098-B	M3098-C	M3098-D	M3098-E				
				8/91 thru 9/94	10/94 thru 1/96	2/96 thru 2/01	3/01 thru 8/09	9/09 thru Current	8/91 thru 9/94	10/94 thru 2/01	3/01 thru 8/09	9/09 thru Current
1	• Plug, Test-ED Brass	2		015023	015023	015023	015023	015023	015023	015023	015023	015023
2	Cover & Handle "3098"	1		005344	009602	009602	009602	009602	005344	009602	009602	009602
3	• Seal, Thru Wall Term	3		003402	003402	003402	003402	003402	003402	003402	003402	003402
4	• Gasket, Case/Cover	1		034046	034046	034046	014553	014553	034046	034046	014553	014553
5	Housing, Mtr- & Term Asm "3098"	1		007092	007092	007092	007092	007092	007092	007092	007092	007092
6	Stator W/Screws 1P/ 3098	1	4, 5	007084	007084	010526	010526	010526	007085	007085	007085	007085
7	Rotor Asm 115/230V/1PH "98" EMD"3098"	1	4	007050	007050	010270	010270	010270	007050	007050	007050	007050
8	• Seal, Mtr Hsg	1		034007	034007	034007	014556	014556	034007	034007	014556	014556
9	• Washer, Trst-NYL.875X.504X.050"	1		002140	002140	002140	002140	002140	002140	002140	002140	002140
10	• Oil, Dielectric - (30.5 Oz Can)	1		012133	012133	012133	012133	012133	012133	012133	012133	012133
11	Housing, Pump-Mach	1	5	006107	006107	006107	006107	150149	006107	006107	006107	150149
12	• Seal, Shaft	1		005095	005095	005095	014554	014554	005095	005095	014554	014554
13	Impeller "3098"	1		002570	002570	002570	002570	002570	002570	002570	002570	002570
14	Base-Mach "3098"	1		006333	006333	006333	006333	006333	006333	006333	006333	006333
15	Case Handle & Arm HT "3098"	1		007088	007088	007088	007088	007088	007088	007088	007088	007088
16	Guard	1		267008	267008	267008	267008	267008	267008	267008	267008	267008
17	• Arm & Seal Asm	1		004741	004741	004741	004741	004741	004741	004741	004741	004741
18	Case & Switch HT "3098"	1		007087	007087	007087	007087	007087	007087	007087	007087	007087
19	Switch Asm HT "3098"	1		007089	007089	007089	007089	007089	007089	007089	007089	007089
20	Capacitor Asm 10 UF "3098"	1		007093	007093	007093	007093	007093	007093	007093	007093	007093
21	Case Gasket	1		267007	267007	267007	014555	014555	267007	267007	014555	014555
22	Housing, Switch Case Mach HT "3098"	1		006836	009453	009453	009453	009453	006836	009453	009453	009453
23	Float	1		034019	034019	034019	034019	034019	034019	034019	034019	034019
24	Float Rod Asm	1		005352	005352	005352	005352	005352	005352	005352	005352	005352
25	Float- Mach	1		004912	004912	004912	004912	004912	004912	004912	004912	004912
26	Cord Term & Seal 115V	1		005348	005348	005348	005348	005348	005369	005369	005369	005369
27	• Clamp, Strain Relief Red	2		001770	001770	001770	001770	N/A	001770	001770	001770	N/A
28	• Seal Asm & Strain Relief	1		004721	004721	004721	004721	004721	004721	004721	004721	004721
29	Wirenut Connector	2		001776	001776	001776	001776	001776	001776	001776	001776	001776
30	• Seal Asm, Conduit	1		009603	009643	009643	009643	009643	009603	009643	009643	009643
31	Seal Asm	1		005345	009643	009643	009643	009643	005345	009643	009643	009643
32	Cordage Conduit & SLS HT/A "3098"	1		007090	009644	009644	009644	009644	007090	009644	009644	009644
33	Conduit 3"	1		005167	005167	005167	005167	005167	005167	005167	005167	005167
34	Cordage & Terms HT/AUTO "3098"	1		007091	007091	007091	007091	007091	007091	007091	007091	007091
35	Clamp, # 36 Worm	3		001766	001766	001766	001766	001766	001766	001766	001766	001766
36	• Screw, #10-24x.75 RHM-SL SS	12		001885	001885	001885	001885	001885	001885	001885	001885	001885
37	• Screw, #6-32x.375 RHSL STL ZI	3		001877	001877	001877	001877	001877	001877	001877	001877	001877
38	• Screw, Stator	2		001914	001914	001914	001914	150099	001914	001914	001914	150099
39	• Sem, 10-24x .375 HH-SL TC.688 Wash	1		002000	002000	002000	002000	002000	002000	002000	002000	002000
40	• Screw, 6-32x.375 RHSL STL ZI	3		004644	004644	004644	004644	004644	004644	004644	004644	004644
41	• Screw, 10-24 x.375 RHM-SL SS	2		001883	001883	001883	001883	001883	001883	001883	001883	001883
42	• Screw, 25-20 x .75 HHM-SS	4		001916	001916	001916	001916	001916	001916	001916	001916	001916
☐	Rebuild Kit "3098"		5	007096	018092	018092	018092	018092	007096	018092	018092	018092

• Items included in Rebuild Kit.

☐ Not Shown in Illustration.

## NOTES:

- 1) See FM0160 Parts Price Sheet for listing of parts prices.
- 2) "NA" indicates, not applicable.
- 3) If an "X" follows Model No., or Date Mfg. on brass ID tag, consult factory for ordering of this part.
- 4) When ordering these parts, customer must identify if G.E. or EMD.
- 5) Kits are supplied with two different length screws for mounting stators. During assembly verify length and ensure screws are seated properly.

# REPLACEMENT PARTS LIST FOR MODELS "N3098" and "E3098"

See back page for "N3098" and "E3098" illustration.

REF NO.	DESCRIPTION	QTY	NOTES	MODELS:					E3098-A	E3098-B	E3098-C	E3098-D
				N3098-A	N3098-B	N3098-C	N3098-D	N3098-E				
				8/91 thru 9/94	10/94 thru 1/96	2/96 thru 2/01	3/01 thru 8/09	9/09 thru Current	8/91 thru 9/94	10/94 thru 2/01	3/01 thru 8/09	9/09 thru Current
1	• Plug, Test-ED Brass	2		015023	015023	015023	015023	015023	015023	015023	015023	015023
2	Cover & Handle "3098"	1		005344	009602	009602	009602	009602	005344	009602	009602	009602
3	• Seal, Thru Wall Term	3		003402	003402	003402	003402	003402	003402	003402	003402	003402
4	• Gasket, Case/Cover	1		034046	034046	034046	014553	014553	034046	034046	014553	014553
5	Housing, Mtr- & Term Asm "3098"	1		007092	007092	007092	007092	007092	007092	007092	007092	007092
6	Stator W/Screws 1P/EMD 3098	1	4, 5	007084	007084	010526	010526	010526	007085	007085	007085	007085
7	Rotor Asm 115/230V/1PH "98" EMD"3098"	1	4	007050	007050	010270	010270	010270	007050	007050	007050	007050
8	• Seal, Mtr Hsg	1		034007	034007	034007	014556	014556	034007	034007	014556	014556
9	• Washer, Trst-NYL.875X.504X.050"	1		002140	002140	002140	002140	002140	002140	002140	002140	002140
10	• Oil, Dielectric - (30.5 Oz Can)	1		012133	012133	012133	012133	012133	012133	012133	012133	012133
11	Housing, Pump-Mach	1	5	006107	006107	006107	006107	150149	006107	006107	006107	150149
12	• Seal, Shaft	1		005095	005095	005095	014554	014554	005095	005095	014554	014554
13	Impeller "3098"	1		002570	002570	002570	002570	002570	002570	002570	002570	002570
14	Base-Mach "3098"	1		006333	006333	006333	006333	006333	006333	006333	006333	006333
15	Cover, Plate & Gasket	1		267050	267050	267050	267050	267050	267050	267050	267050	267050
16	Capacitor Asm 10 UF "3098"	1		007093	007093	007093	007093	007093	007093	007093	007093	007093
17	Case Gasket	1		267007	267007	267007	014555	014555	267007	267007	014555	014555
18	Box Mach HT NA	1		006837	009454	009454	009454	009454	006837	009454	009454	009454
19	Clamp, # 36 Worm	2		001766	001766	001766	001766	001766	001766	001766	001766	001766
20	Wire Asm - (1) Wire Black 6" long	1		007650	007650	007650	007650	007650	007650	007650	007650	007650
21	Seal Asm	1		005345	009643	009643	009643	009643	005345	009643	009643	009643
22	• Seal Asm, Conduit	1		009604	009643	009643	009643	009643	009604	009643	009643	009643
23	Cordage conduit & SLS HT/NA "3098"	1		007095	009645	009645	009645	009645	007095	009645	009645	009645
24	Conduit-Mach 6'	1		005252	005252	005252	005252	005252	005252	005252	005252	005252
25	Cordage & Terms HT/NA "3098"	1		007094	007094	007094	007094	007094	007094	007094	007094	007094
26	• Clamp, Strain Relief Red	2		001770	001770	001770	001770	N/A	001770	001770	001770	N/A
27	• Screw, #10-24x.75 RHM-SL SS	12		001885	001885	001885	001885	001885	001885	001885	001885	001885
28	• Screw, #6-32x.375 RHSL STL ZI	3		001877	001877	001877	001877	001877	001877	001877	001877	001877
29	• Screw, Stator	2		001914	001914	001914	001914	150099	001914	001914	001914	150099
30	• Sem, 10-24x .375 HH-SL TC.688 Wash	1		002000	002000	002000	002000	002000	002000	002000	002000	002000
31	• Screw, 25-20 x .75 HHM-SS	4		001916	001916	001916	001916	001916	001916	001916	001916	001916
32	• Screw, 6-32x.375 RHSL STL ZI	1		004644	004644	004644	004644	004644	004644	004644	004644	004644
33	Wirenut Connector	2		001776	001776	001776	001776	001776	001776	001776	001776	001776
34	Handle	1		267032	267032	267032	267032	267032	267032	267032	267032	267032
35	Retainer, Handle	2		267053	267053	267053	267053	267053	267053	267053	267053	267053
36	Screw, #10-24 x .375 RHM -SS	2		001883	001883	001883	001883	001883	001883	001883	001883	001883
□	Rebuild Kit "3098		5	018091	018092	018092	018092	018092	018091	018092	018092	018092

- Items included in Rebuild Kit.
- Not Shown in Illustration.

## NOTES:

- 1) See FM0160 Parts Price Sheet for listing of parts prices.
- 2) "NA" indicates, not applicable.
- 3) If an "X" follows Model No., or Date Mfg. on brass ID tag, consult factory for ordering of this part.
- 4) When ordering these parts, customer must identify if G.E. or EMD.
- 5) Kits are supplied with two different length screws for mounting stators. During assembly verify length and ensure screws are seated properly.



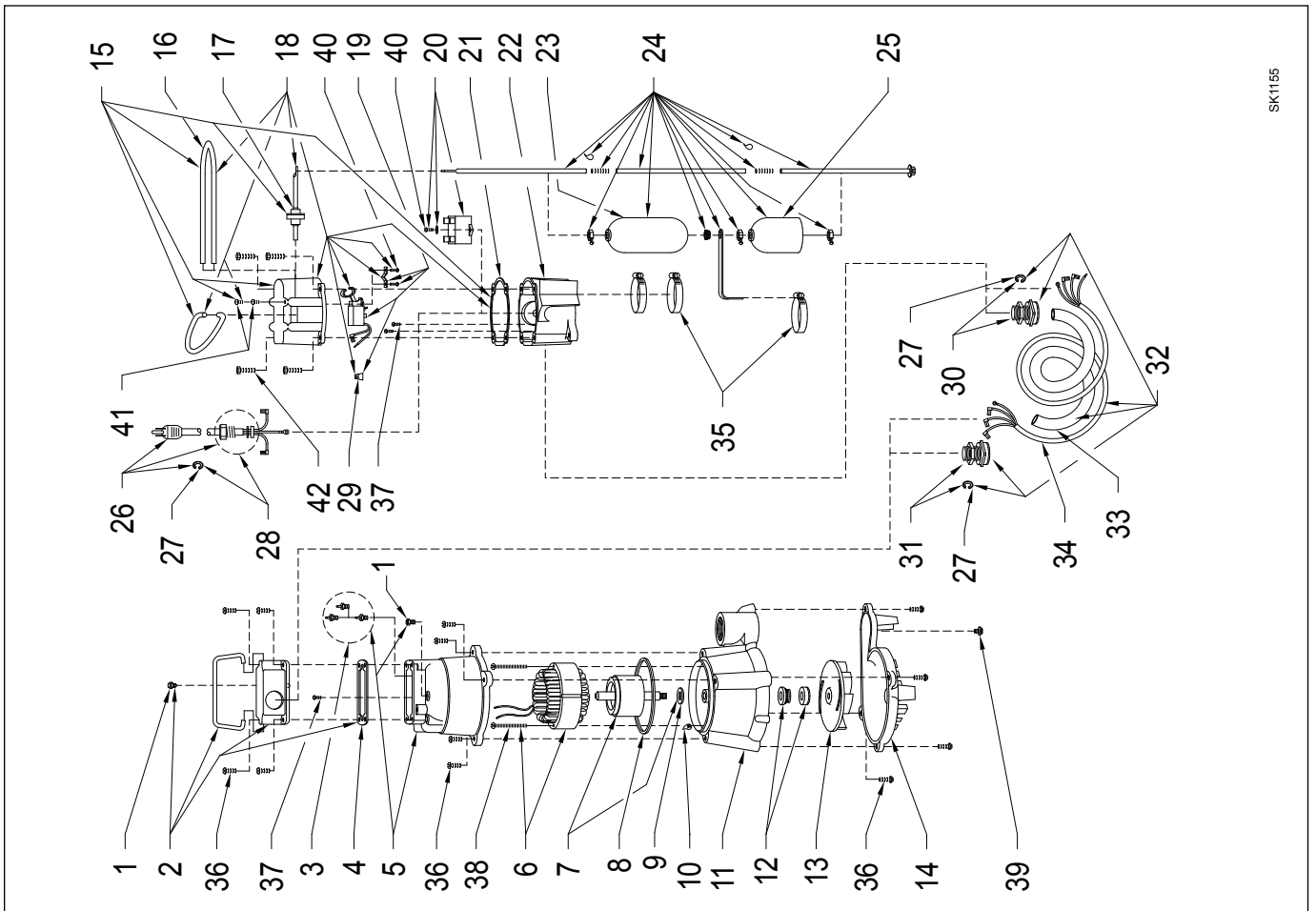
**PUMP COMPANY**

MAIL TO: P.O. BOX 16347 • Louisville, KY 40256-0347  
 SHIP TO: 3649 Cane Run Road • Louisville, KY 40211-1961  
 (502) 778-2731 • 1 (800) 928-PUMP • FAX (502) 774-3624

Your Peace of Mind is Our Top Priority®

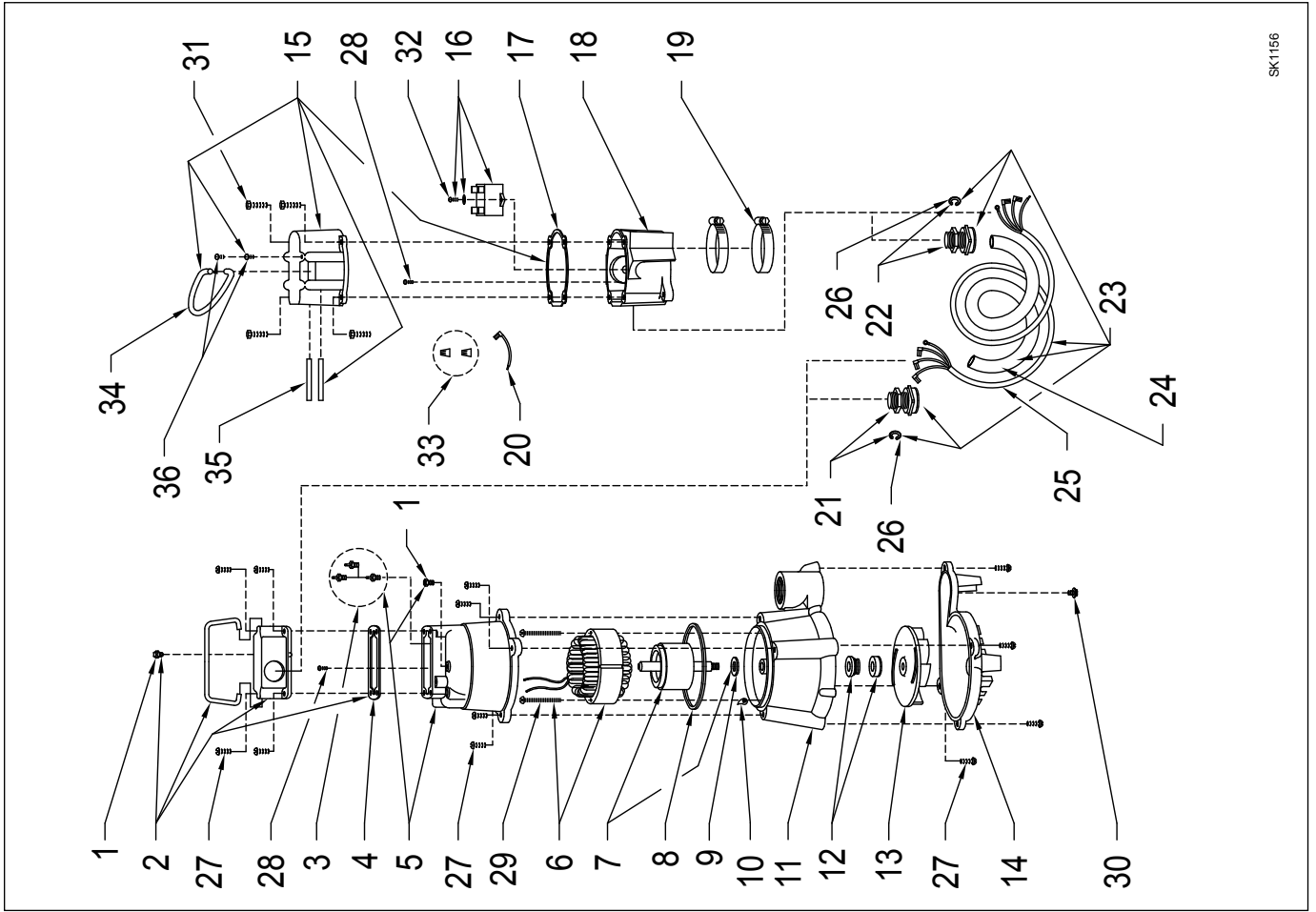
visit our web site:  
[www.zoeller.com](http://www.zoeller.com)

REPLACEMENT PARTS ILLUSTRATION FOR MODELS "M3098" AND "D3098"



SK1156

REPLACEMENT PARTS ILLUSTRATION FOR MODELS "N3098" AND "E3098"



SK1156