



PUMP COMPANY

Zoeller Family of Water Solutions™

MAIL TO: P.O. BOX 16347 • Louisville, KY 40256-0347
SHIP TO: 3649 Cane Run Road • Louisville, KY 40211-1961
(502) 778-2731 • 1 (800) 928-PUMP • FAX (502) 774-3624

Product information presented here reflects conditions at time of publication. Consult factory regarding discrepancies or inconsistencies.

visit our web site:
www.zoeller.com

REPLACEMENT PARTS LIST FOR MODELS:

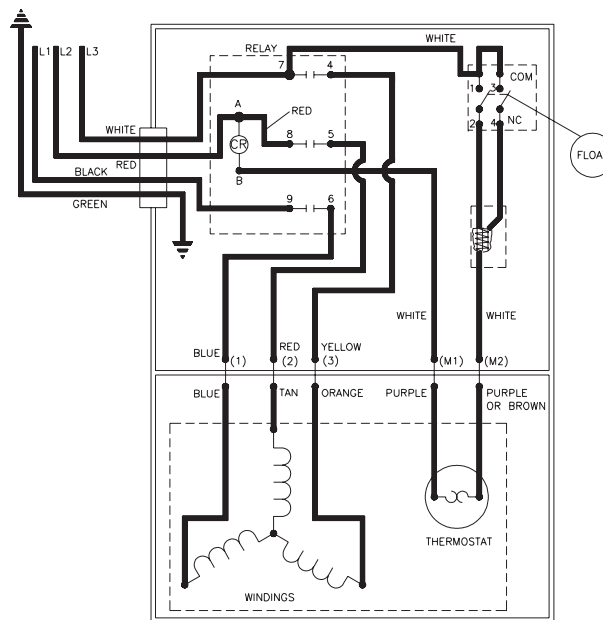
CF282 3PH AUTOMATIC 230V

Consult factory for all other models

TO ORDER REPLACEMENT PARTS:

PLEASE FURNISH THE FOLLOWING INFORMATION:

- Model Number.
- Part Number of Pump.
- Part Number and Description of part.



WIRING DIAGRAM FOR MODELS
"CF282-A"
2/00 thru Current

REPLACEMENT PARTS LIST FOR MODEL: CF "282"

See next page for "CF282" illustration.

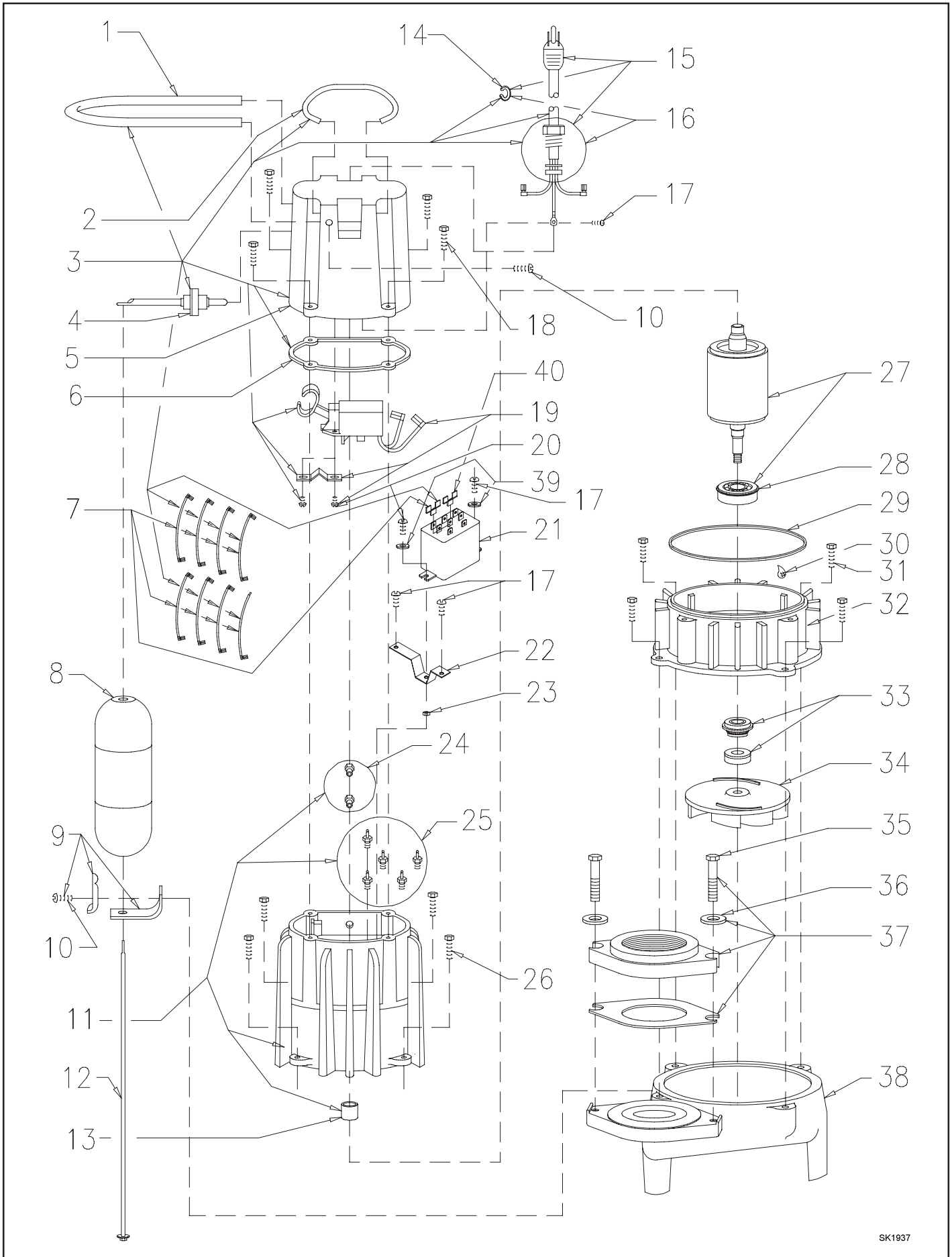
MODEL:		CF282-A											
REF. NO.	DESCRIPTION	QTY	NOTES	02/00 TO Current									
1	• Guard	1		001023									
2	Handle	1		217069									
3	Case Switch & Cd/230V/1Ph"282"	1	2	013211									
4	• Arm & Seal Asm"160/180/290"	1		004745									
5	Case-Mach"160/180/280/290"	1	2	004614									
6	• Gasket,Case/Cover	1		001011									
7	• Wire Pkg (8) Wires	1		013212									
8	Float,Plastic	1		094039									
9	Guide Asm,Flt Rod	1		094048									
10	• Screw,#10-24 X.375 RHM-SI SS	2		001883									
11	Housing, Mtr-& Str "282" GE	1	1	013213									
12	Rod Asm,Flt	1		001043									
13	Bearing,Sleeve	1		001012									
14	• Clamp,Strain Relief-Red	1		001770									
15	Cord Term & Seal Asm 230V/3PH	1	2	003761									
16	• Seal,Cord-Asm & Strain Relief	1	2	094032									
17	• Screw,#6-32X.25RHM SI Tc Stlgr	4		001877									
18	• Screw,.25-20X.75 HHm-SS	4		001916									
19	Switch Asm"160/180/290"	1		013214									
20	• Screw,#6-32X.438RhsItlp"1"Stlzi	2		004644									
21	Relay 230/3PH	1		013069									
22	Bracket,relay	1		013070									
23	• Nut,#6-32	1		006120									
24	• Plug,Test-White	2		034090									
25	• Seal,Thru Wall Term	5		003402									
26	• Screw,.25-20X1" RHM-SI Tc Stlgr	4		007790									
27	Rotor & Brg 230V/1Ph	1		009495									
28	• Bearing,Lower Rotor	1		010069									
29	• Seal, Mtr Hsg	1		001014									
30	• Oil,Dielectric-(44 Oz Can)	1		003168									
31	• Screw,.313-18 X 1"HH Cap-SS	4		002608									
32	Adapter-Mach"280"	1		001003									
33	• Seal,Shaft"282","284"	1		001015									
34	Impeller"284"	1		007063									
35	• Screw,.5-13 X 2 HH Cap-SS	2		001909									
36	• Washer,SS-1.25" ODX .562" ID X .078	2		002115									
37	Flange Pkg 2" Npt	1		217024									
37	Flange Pkg 3" Npt	1		317024									
38	Housing,Pump-Mach	1		217012									
39	Washer,Stl-.375" ODX .150"ID X .032	2		002117									
40	Terminal,Adapter(1)FEMx(2)Mail F.	1		014210									
□	Rebuild Kit"280"	1		013215									

- Items included in Rebuild Kit.
- Not shown in illustration.

NOTES:

- 1) Mtr. Hsg., Brg., Stator & Term. (Item 11) are preassembled at the factory and must be replaced as a unit. Stator is permanently attached to the motor Housing. Plug (Item 24); Seal, Thru Wall Term. (Item 25) and Bearing - Upper (Item 13) are replaceable.
- 2) If an "X" follows Model No., or Date Mfg. on brass ID tag, consult factory for ordering any parts.
- 3) See FM0160 Parts Price Sheet for listing of parts prices.
- 4) "NA" indicates, not applicable.

REPLACEMENT PARTS ILLUSTRATION FOR MODEL "CF282"



SK1937

NOTES:



PUMP COMPANY

MAIL TO: P.O. BOX 16347 • Louisville, KY 40256-0347
SHIP TO: 3649 Cane Run Road • Louisville, KY 40211-1961
(502) 778-2731 • 1 (800) 928-PUMP • FAX (502) 774-3624

Your Peace of Mind is Our Top Priority®

visit our web site:
www.zoeller.com